

### RB715W SCHOTTKY BARRIER DIODE

#### FEATURES:

Power dissipation

$P_D$ : 200 mW ( $T_{amb}=25^{\circ}C$ )

Collector current

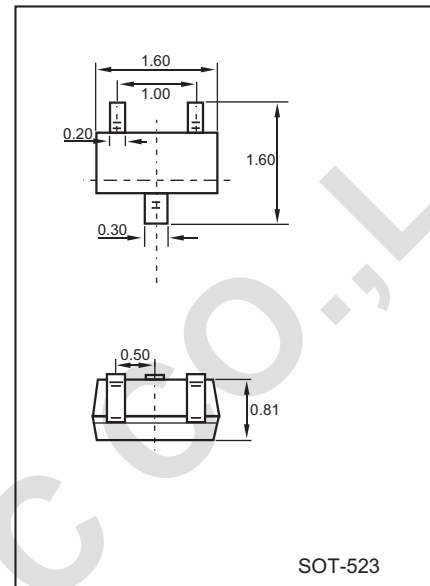
$I_F$ : 30 mA

Collector-base voltage

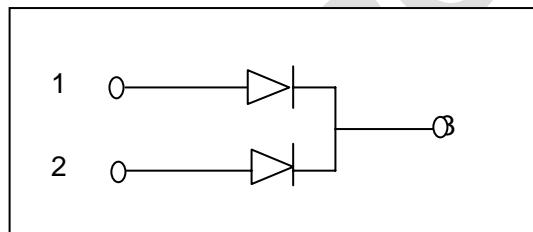
$V_R$ : 40 V

Operating and storage junction temperature range

$T_J, T_{stg}$ :  $-55^{\circ}C$  to  $+150^{\circ}C$



#### CIRCUIT:



#### MARKING: 3D

#### ELECTRICAL CHARACTERISTICS ( $T_{amb}=25^{\circ}C$ unless otherwise specified)

Parameter	Symbol	Test conditions	MIN	MAX	UNIT
Reverse breakdown voltage	$V_{(BR)}$	$I_R=100\mu A$	40		V
Reverse voltage leakage current	$I_R$	$V_R=10V$		1	$\mu A$
Forward voltage	$V_F$	$I_F=1mA$		0.37	V
Diode capacitance	$C_D$	$V_R=1V, f=1MHz$		2	pF