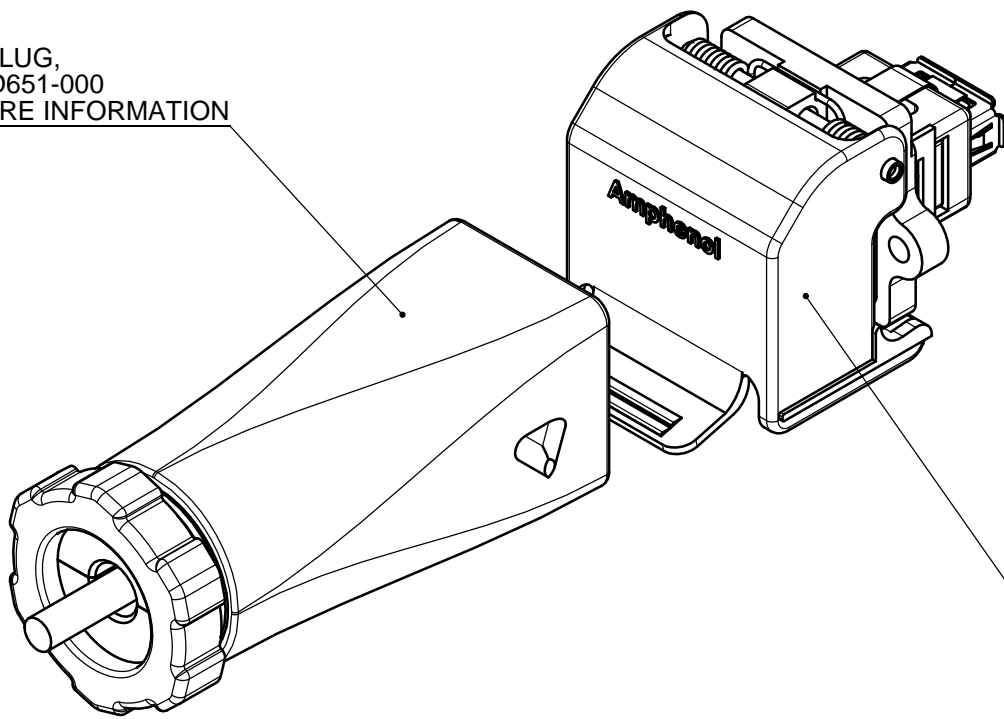


REV - DESCRIPT - DATE - APPRVD
.
.
.

USB-A PLUG,
SEE P-ID651-000
FOR MORE INFORMATION



USB-A RECEPTACLE,
SEE P-ID451-000
FOR MORE INFORMATION

NOTES:

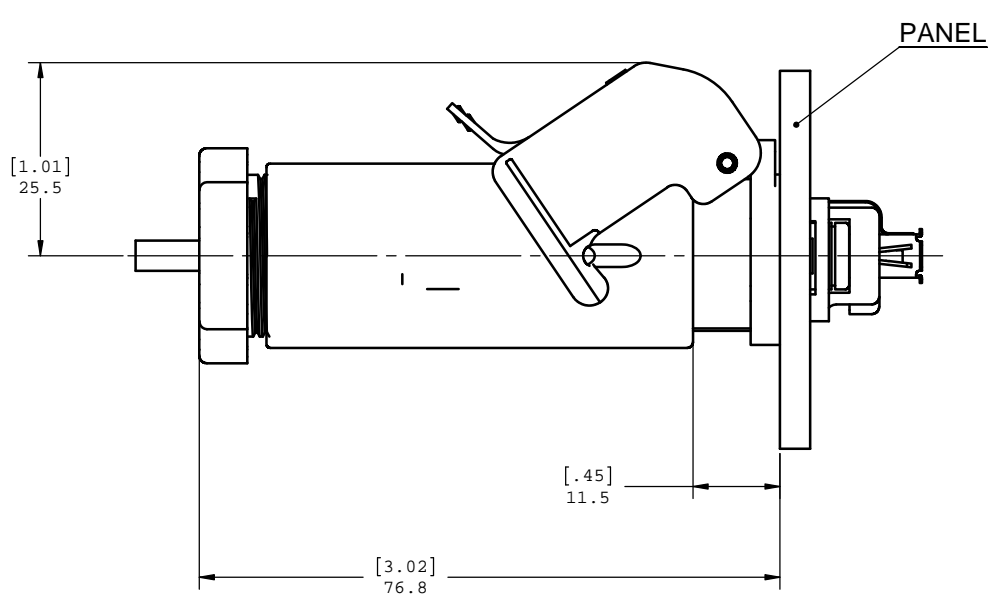
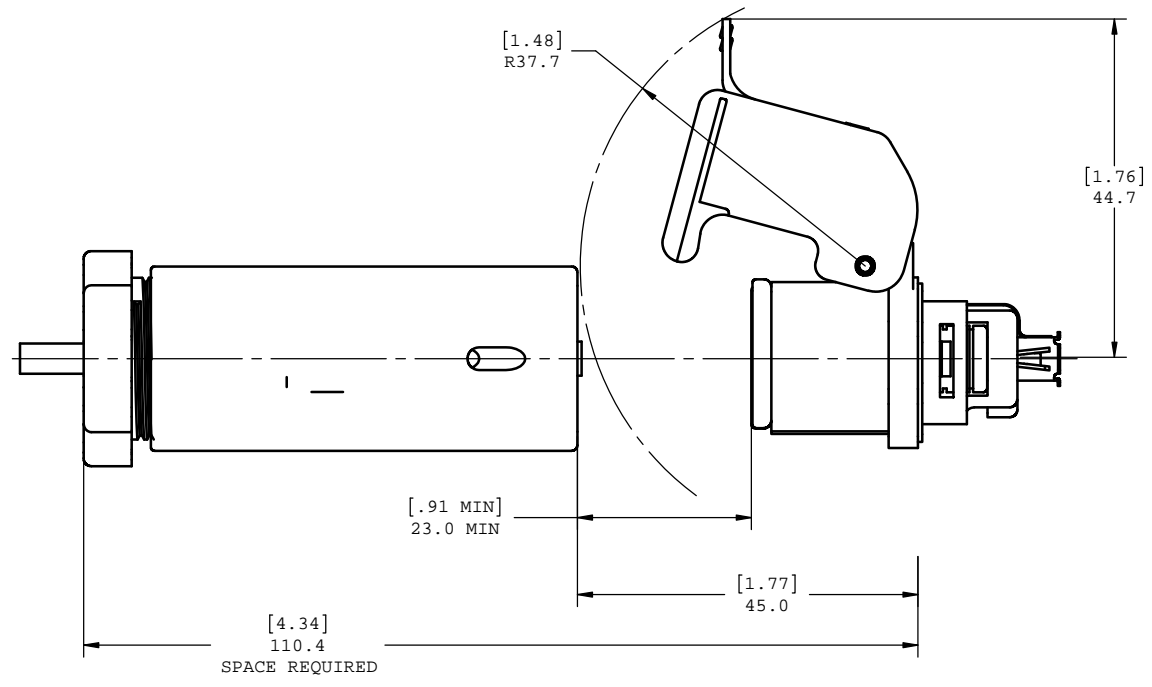
1. OPERATING TEMPERATURE: -40°C TO +85°C.
2. ENVIROMENT PERFORMANCE: IP67.
3. CONNECTOR IS ROHS COMPLIANT PER EU DIRECTIVE 2002/95/EC AND AMENDMENTS.
4. PART NUMBER FOR ORDER IS ID751-000.



UNLESS OTHERWISE SPECIFIED DIMENSIONS ARE IN MILLIMETER TOLERANCES ARE:		APPROVALS	DATE	Amphenol Canada Corp.	
DECIMALS ANGLES		DRAWN	FEB16/07		
.XX ± .10	± 1°	S.SEMENOV		TITLE USB A RECEPTACLE AND PLUG	
.X ± .25		DESIGNED	FEB16/07		
MATERIAL AND FINISH		CHECKED		SIZE	DWG. NO.
REF.		QA APP'D		C	P-ID751-000
CODE IDENT. NO.		IE APP'D		SCALE	PROJECT
		DWG APP'D	FEB16/07	2.5:1	ID
		A.GREEN			SHEET
					1 OF 2

DO NOT SCALE DRAWING
THIS DOCUMENT CONTAINS PROPRIETARY INFORMATION AND SUCH INFORMATION MAY NOT BE DISCLOSED TO OTHERS FOR ANY PURPOSE OR USED FOR MANUFACTURING PURPOSES WITHOUT PERMISSION FROM AMPHENOL CANADA CORP.

REV	DESCRIPT	DATE	APPRVD



UNLESS OTHERWISE SPECIFIED DIMENSIONS ARE IN MILLIMETER TOLERANCES ARE: DECIMALS .XX ±.10 .X ±.25 ANGLES ± 1°	APPROVALS	DATE	Amphenol Canada Corp.		
	DRAWN S.SEMENOV	FEB16/07			
MATERIAL AND FINISH	DESIGNED S.SEMENOV	FEB16/07	TITLE USB A RECEPTACLE AND PLUG		
	CHECKED				
	QA APP'D				
REF.	IE APP'D		SIZE C	DWG. NO. P-ID751-000	REV. A
	DWG APP'D A.GREEN	FEB16/07	SCALE 2:1	PROJECT ID	SHEET 2 OF 2
CODE IDENT. NO.					

DO NOT SCALE DRAWING
THIS DOCUMENT CONTAINS PROPRIETARY INFORMATION AND SUCH INFORMATION MAY NOT BE DISCLOSED TO OTHERS FOR ANY PURPOSE OR USED FOR MANUFACTURING PURPOSES WITHOUT PERMISSION FROM AMPHENOL CANADA CORP.