

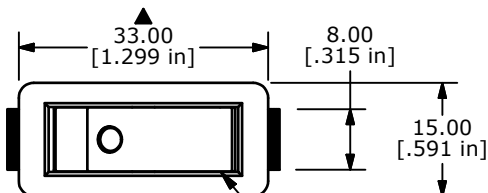
RECOMMENDED PANEL MOUNTING

| PANEL THICKNESS | X ± 0.05 |
|-----------------|----------|
| 0.75-1.25 | 29.65 |
| 1.25-2.00 | 30.15 |
| 2.00-3.00 | 30.50 |

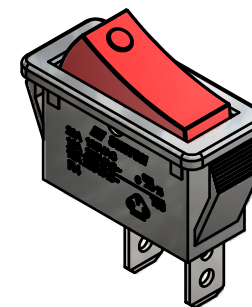


CIRCUIT: SPST

▲ HOUSING: BLACK



ROCKER: RED ▲

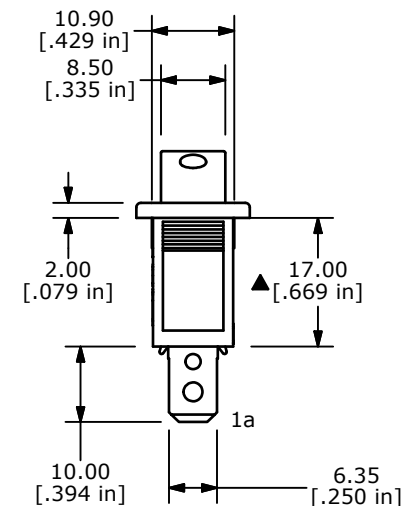
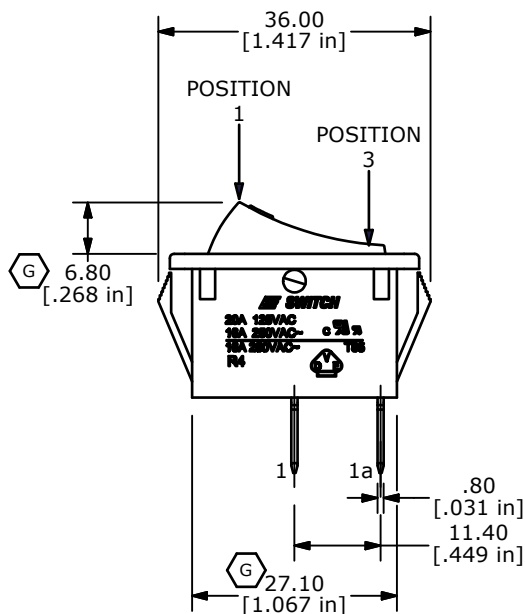


▲

| SWITCH FUNCTION | | G |
|-----------------|--------|---|
| POS. 1 | POS. 3 | |
| | | |
| ON | OFF | |
| 1-1a | OPEN | |

NOTES:

- ALL DIMENSIONS IN MM [INCH]
- GENERAL TOLERANCE: X.X=± 0.4
X.XX=± 0.25
- TERM. NOS. FOR REF. ONLY
- RATING: 20A 125VAC, 16A 250VAC UL APPROVED
16A 250VAC VDE APPROVED
- ELECTRICAL LIFE: OVER 10,000 CYCLES
- MECHANICAL LIFE: OVER 30,000 CYCLES
- CONTACT RESISTANCE: <20 mΩ(INITIAL)
- DIELECTRIC STRENGTH: >1500V 1 min
- INSULATION RESISTANCE: >1,000 mΩ @ 500V DC
- OPERATING TEMPERATURE: TERMINAL SIDE -20°C to 85°C
ROCKER SIDE -20°C to 55°C
- ▲ DENOTES CRITICAL PARAMETER
- 2002/95/EC (ROHS) COMPLIANT



TITLE R4ABLKREDEF0

| REV | PCR NO | DESCRIPTION | DATE | BY |
|-----|--------|---------------------------------|----------|-----|
| G | 19933 | CORRECT DIMS AND FUNCTION TABLE | 05/10/11 | BMA |
| F | 19805 | UPDATE DRAWING | 04/01/11 | BMA |

| | | | | |
|-------|-----------|-----|---------|-----|
| SCALE | DATE | DR | DWG | REV |
| 1:1 | 7/10/2000 | GLG | M040113 | G |

THE INFORMATION CONTAINED IN THIS DOCUMENT IS PROPRIETARY TO E-SWITCH AND IS NOT TO BE COPIED OR TRANSFERRED