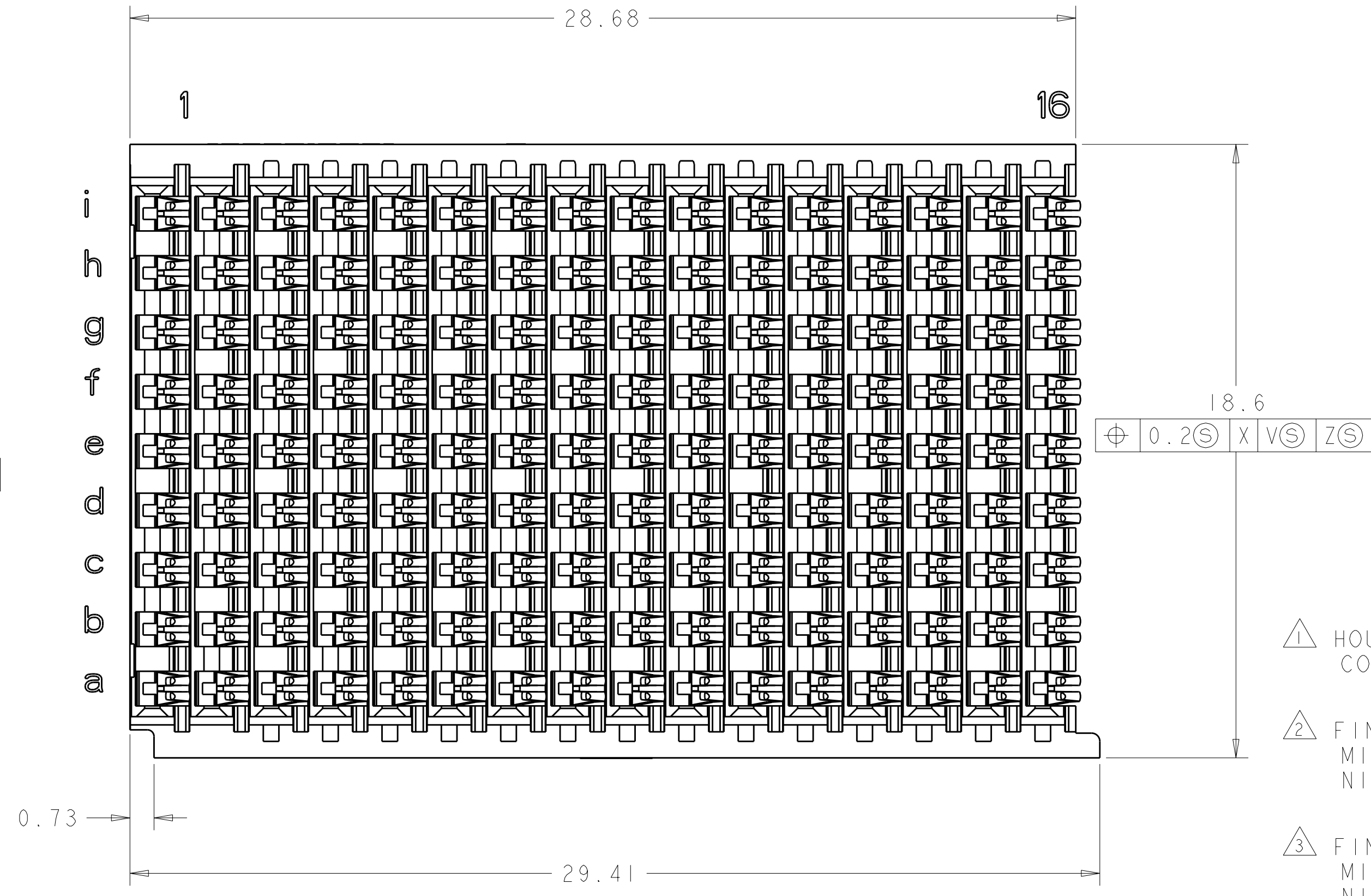
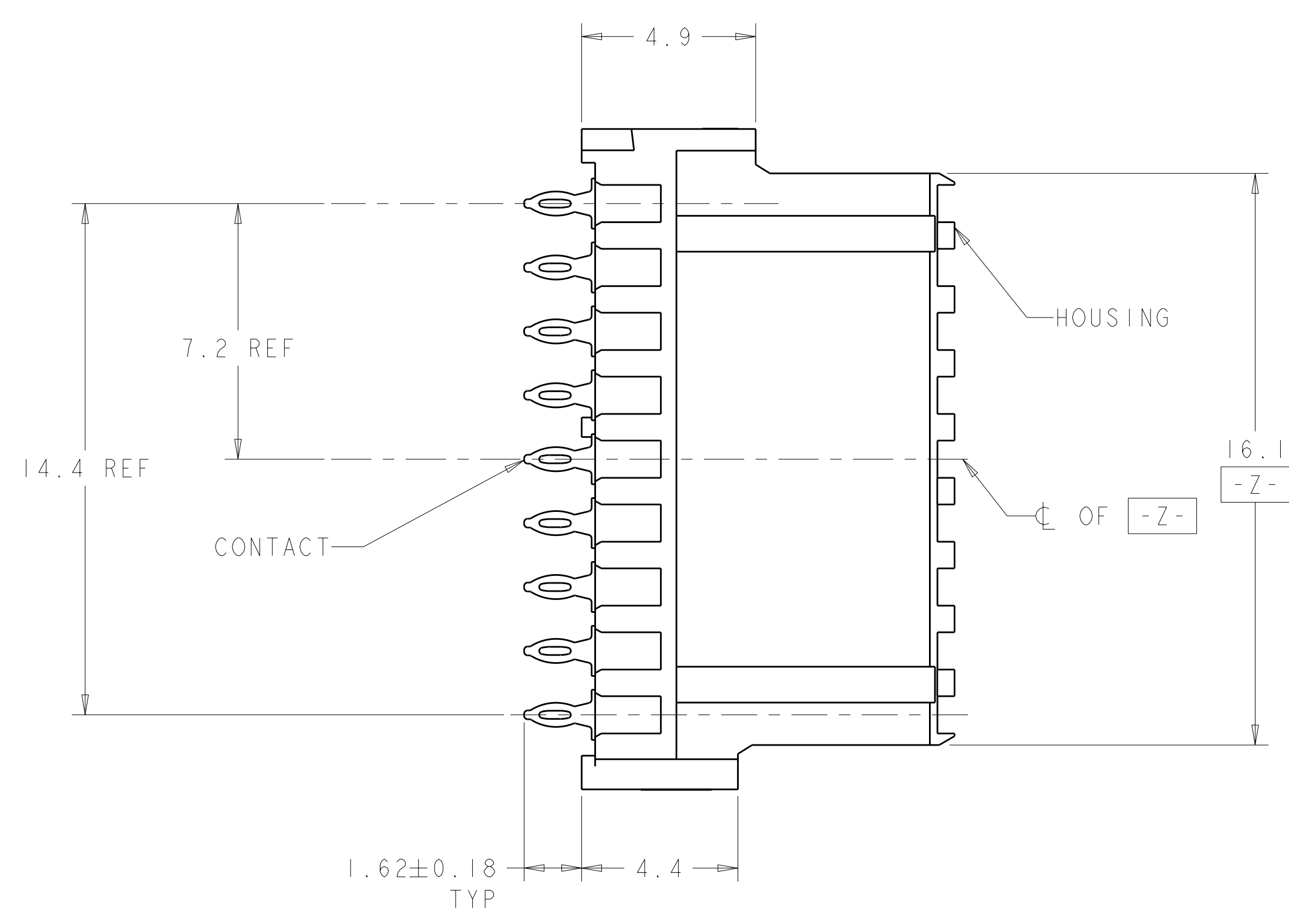
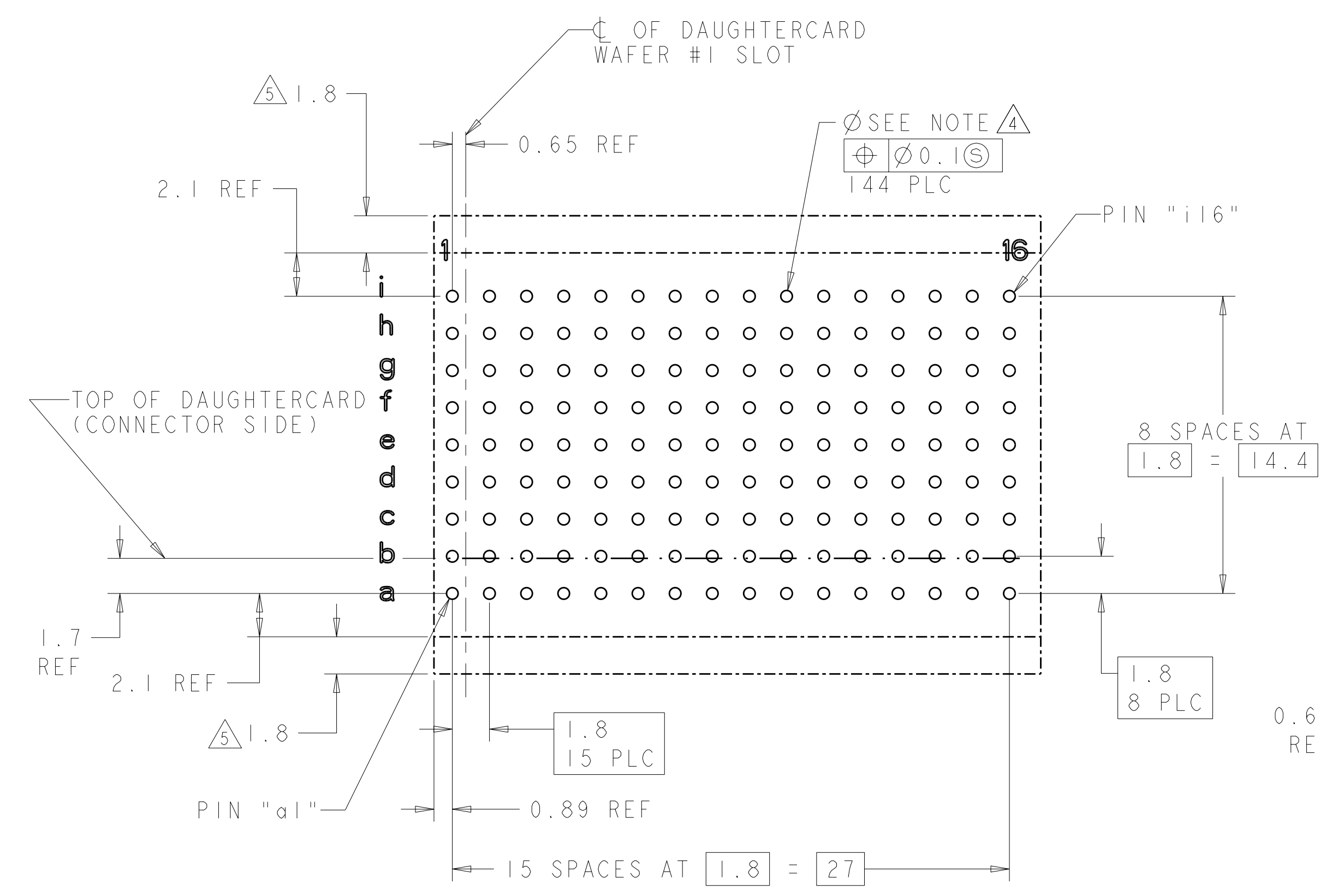


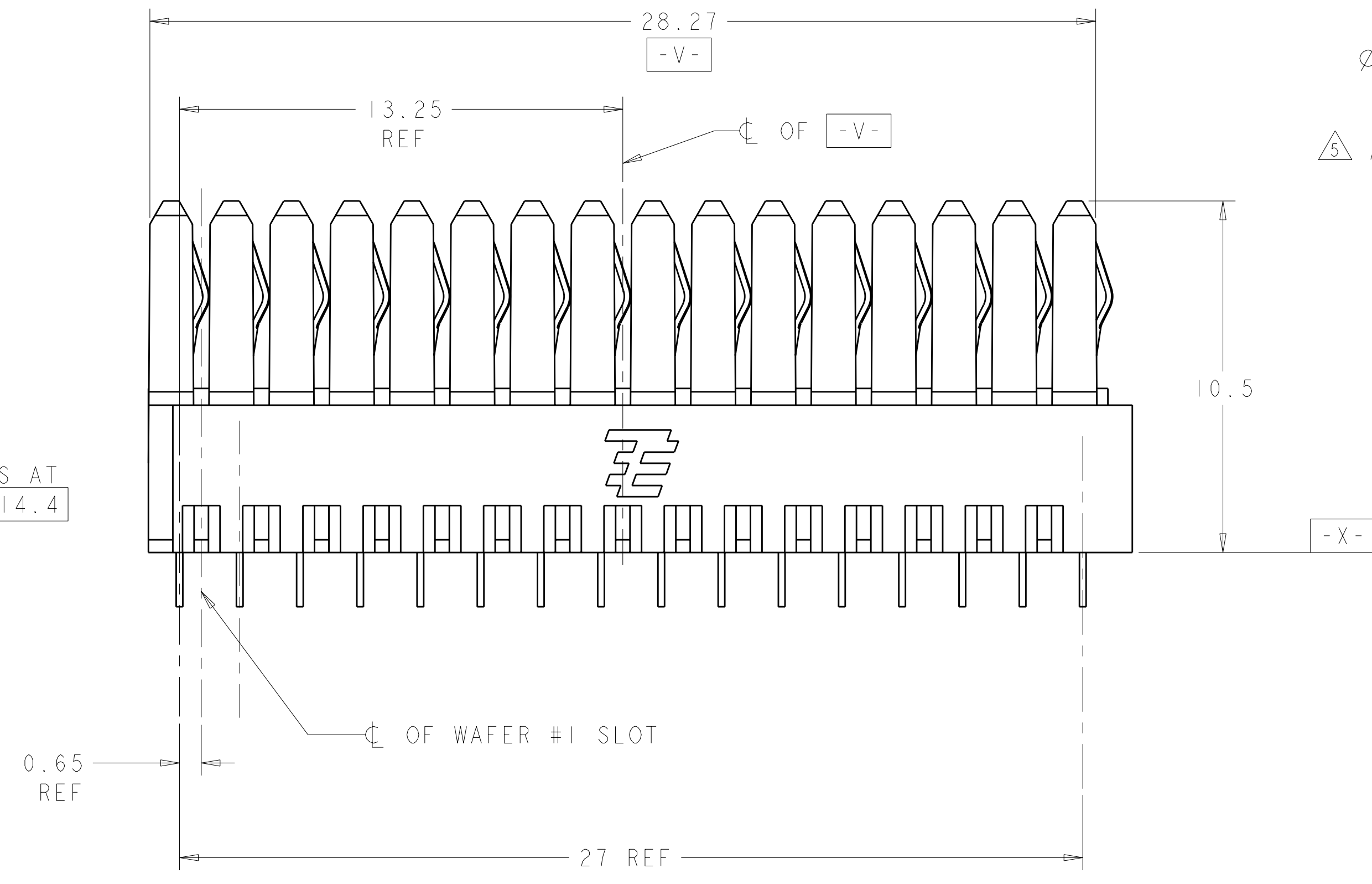
LOC	DIST	REV	DATE	BY	APPD
GP	00	C	08SEP2011	HMR	AS
		REVISIONS			
		DESCRIPTION	DATE	DWN	APPD
		REVISED PER ECO-11-003271	08SEP2011	HMR	AS



- △ HOUSING: LCP, UL94V0, COLOR: BLACK.  
CONTACT: PHOSPHOR BRONZE.
- △ FINISH: 1.27μm GOLD IN CONTACT AREA 1.27μm MIN. TIN-LEAD ON PCB TAIL OVER 3.81μm MIN. NICKEL OVER ALL.
- △ FINISH: 1.27μm GOLD IN CONTACT AREA 1.27μm MIN. TIN ON PCB TAIL OVER 3.81μm MIN. NICKEL OVER ALL.
- △ MANUFACTURING TOLERANCE FOR:  
 ∅0.56±0.05 FINISHED HOLE WITH Sn PB PLATING:  
 DRILLED HOLE = ∅0.65±0.02  
 COPPER PLATING = 0.025-0.050  
 Sn PB PLATING = 0.0038-0.0124  
 OR  
 ∅0.575±0.05 FINISHED HOLE WITHOUT Sn PB PLATING:  
 DRILLED HOLE = ∅0.65±0.02  
 COPPER PLATING = 0.025-0.050
- △ ADDITIONAL CONNECTOR-SIDE KEEPCUT AREA REQUIRED IF CONNECTOR-SIDE EXTRACTION TOOL IS TO BE USED.



PC BOARD LAYOUT  
(CONNECTOR SIDE)  
(SEE SHEET 2 FOR RTM)  
SCALE 5:1



1410140-2	1410140-1
PLATING	PART NO

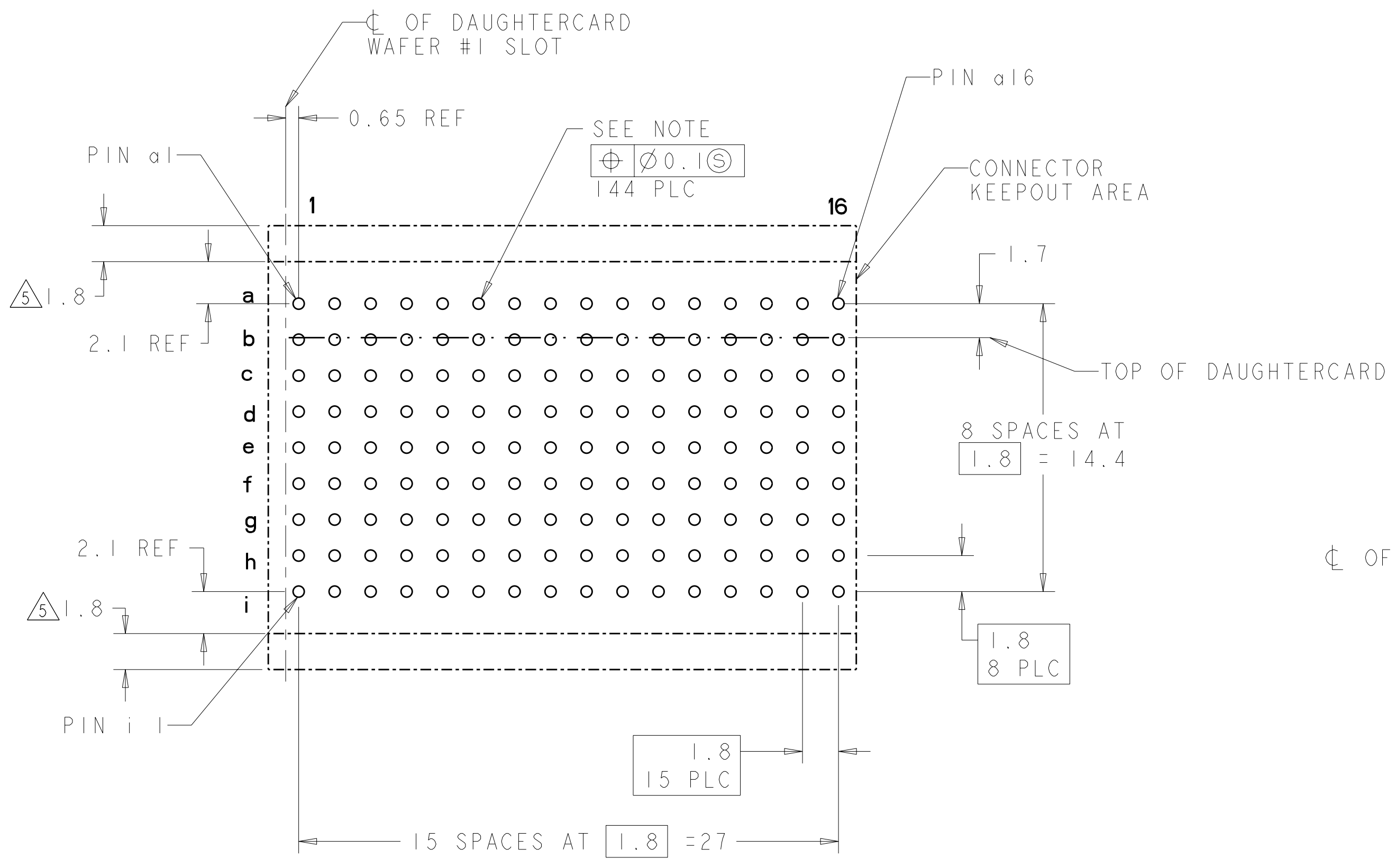
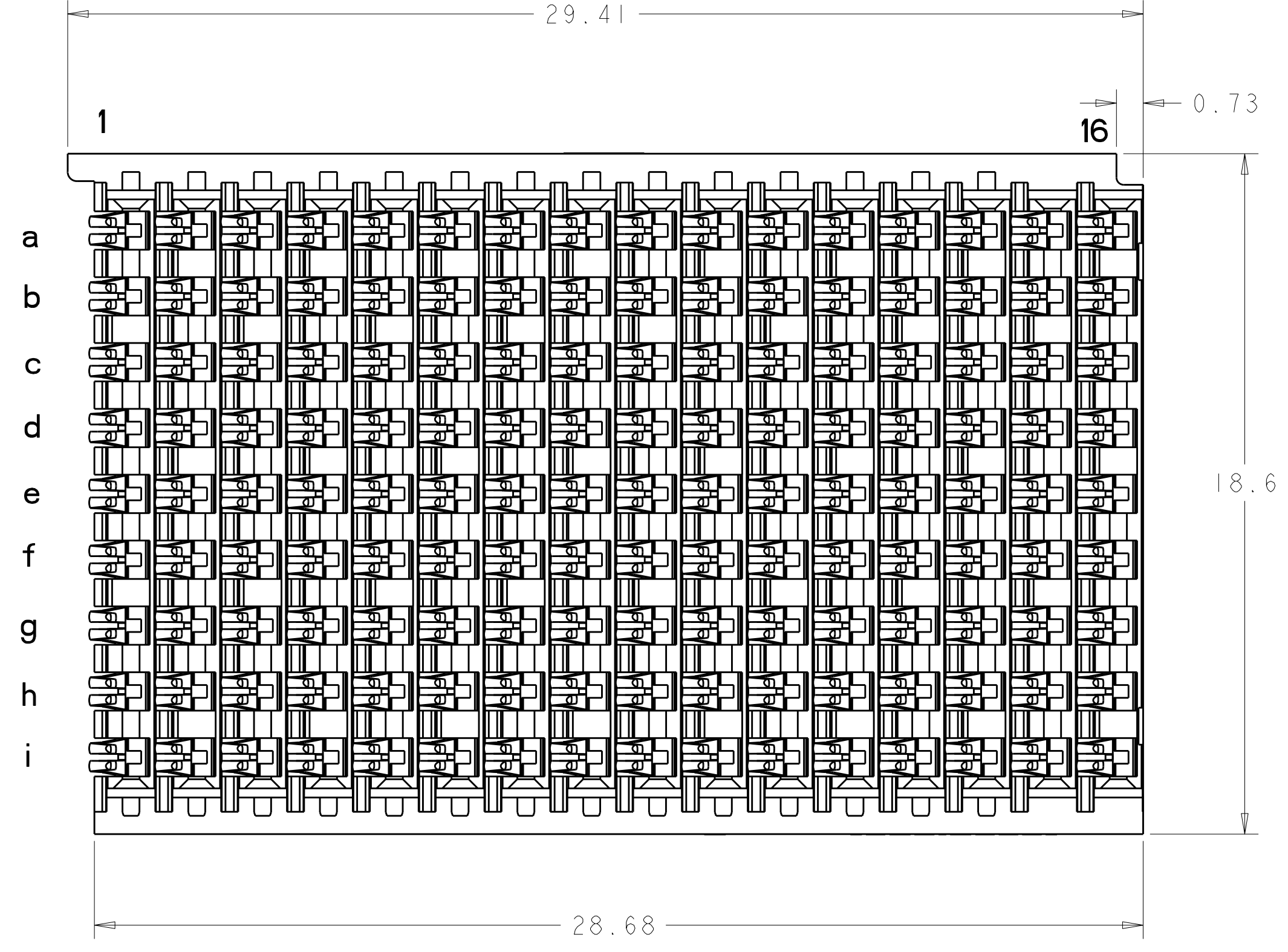
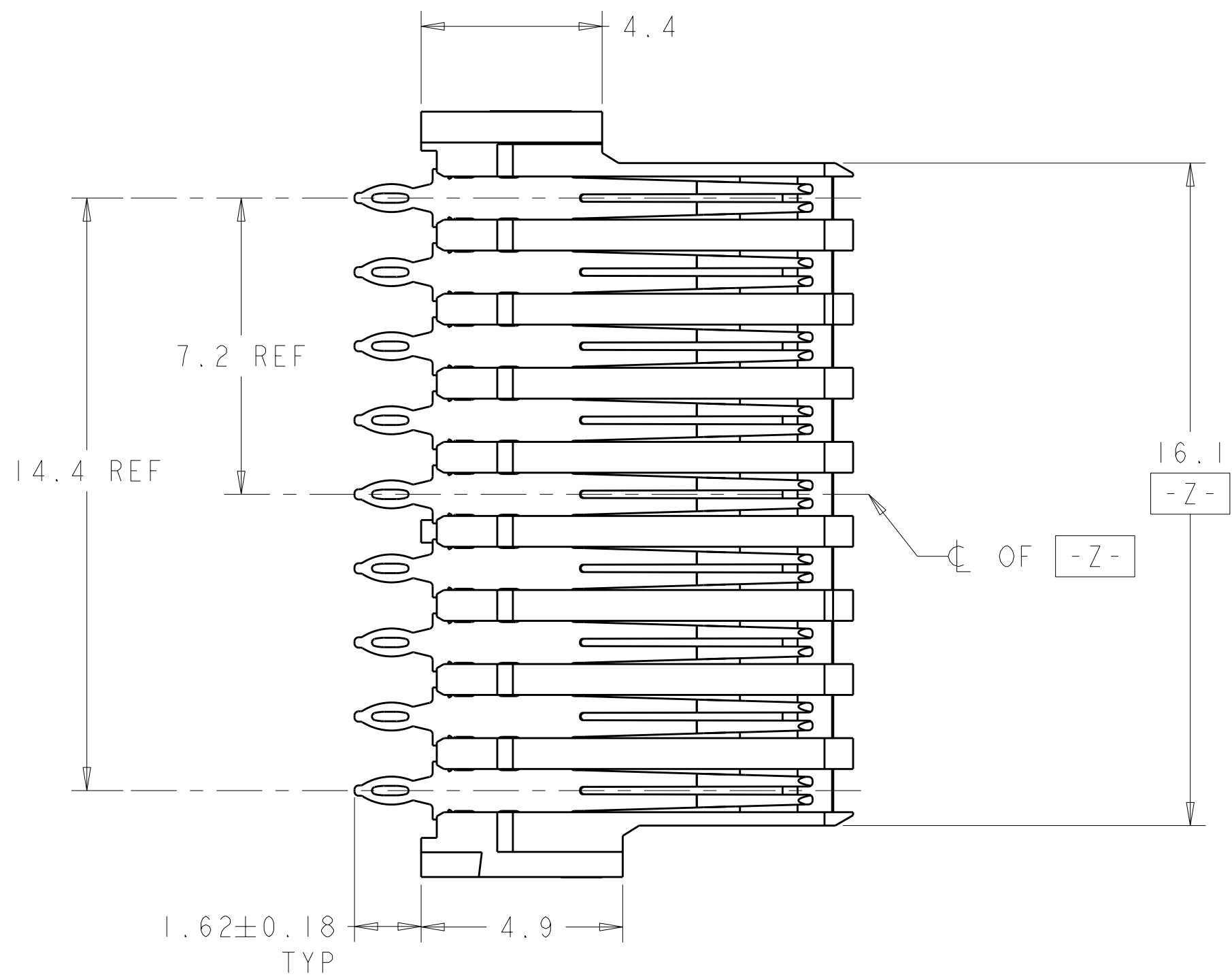
THIS DRAWING IS A CONTROLLED DOCUMENT.

DIMENSIONS:	TOLERANCES UNLESS OTHERWISE SPECIFIED:	DWN: TREA 08NOV2002	CHK: J.CONSO1 18NOV2002	APVD: J.CONSO1 18NOV2002
mm	0 PLC ± 1 PLC ±0.5 3 PLC ±0.13 4 PLC ± ANGLES ±1°	PRODUCT SPEC: 108-2072	APPLICATION SPEC: 114-13056	SIZE: 114-13056
MATERIAL:	FINISH:	WEIGHT:	CAGE CODE: A1100779	DRAWING NO: C=1410140
CUSTOMER DRAWING		SCALE: 4:1	SHEET: 1 OF 2	REV: C

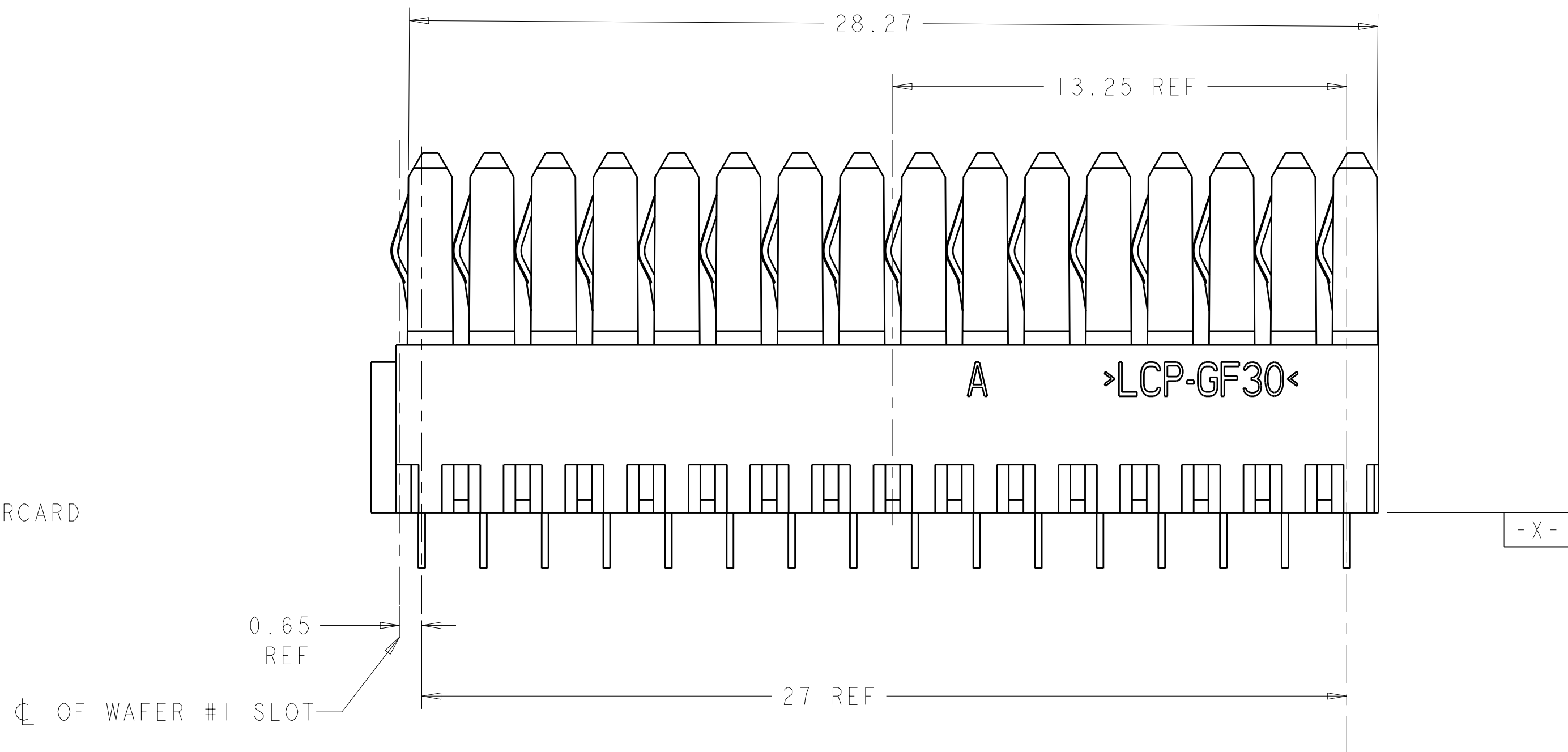
STE TE Connectivity  
CONNECTOR ASSEMBLY, BACKPLANE VERTICAL RECEPTACLE, CENTER, 20.3mm, MultiGig RT 2

LOC	DIST	REV	DATE	BY	APPD
GP	00				
REVISIONS			DESCRIPTION	DATE	DWN
			SEE SHEET 1		

# REAR TRANSITION MODULE APPLICATION



RTM PC BOARD LAYOUT  
(CONNECTOR SIDE)  
SCALE 5:1



THIS DRAWING IS A CONTROLLED DOCUMENT.		DWN	R. TREA	08NOV2002
		CHK	J. CONSOLI	18NOV2002
		APPD		18NOV2002
DIMENSIONS:		TOLERANCES UNLESS OTHERWISE SPECIFIED:		
mm		9 PLC	±	
		3 PLC	±0.5	
		5 PLC	±0.13	
		4 PLC	±	
		ANGLES	±	1°
MATERIAL		FINISH		
		CUSTOMER DRAWING		
		NAME		RESTRICTED TO
		CONNECTOR ASSEMBLY, BACKPLANE VERTICAL RECEPTACLE, CENTER, 20.3mm, MultiGig RT 2		
		SIZE	CAGE CODE	DRAWING NO
		A100779	C=1410140	
		SCALE	SHEET	REV
		4:1	2 OF 2	C