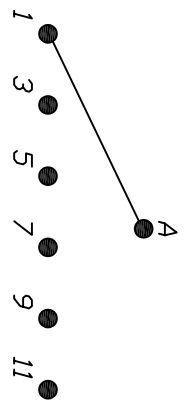
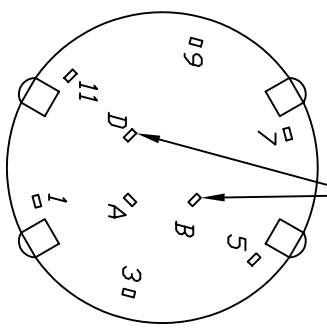
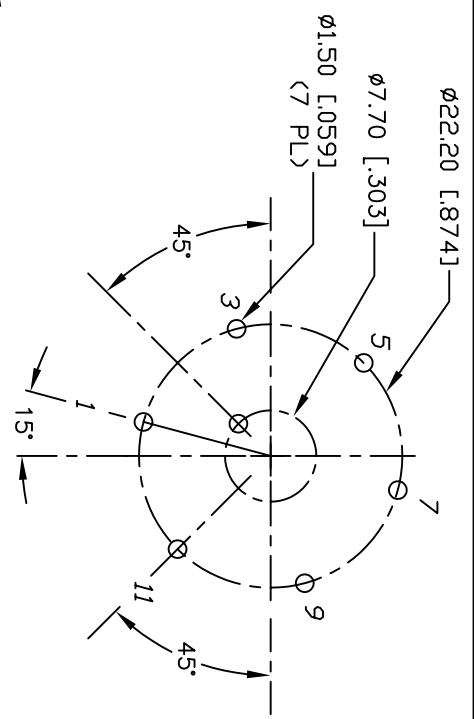
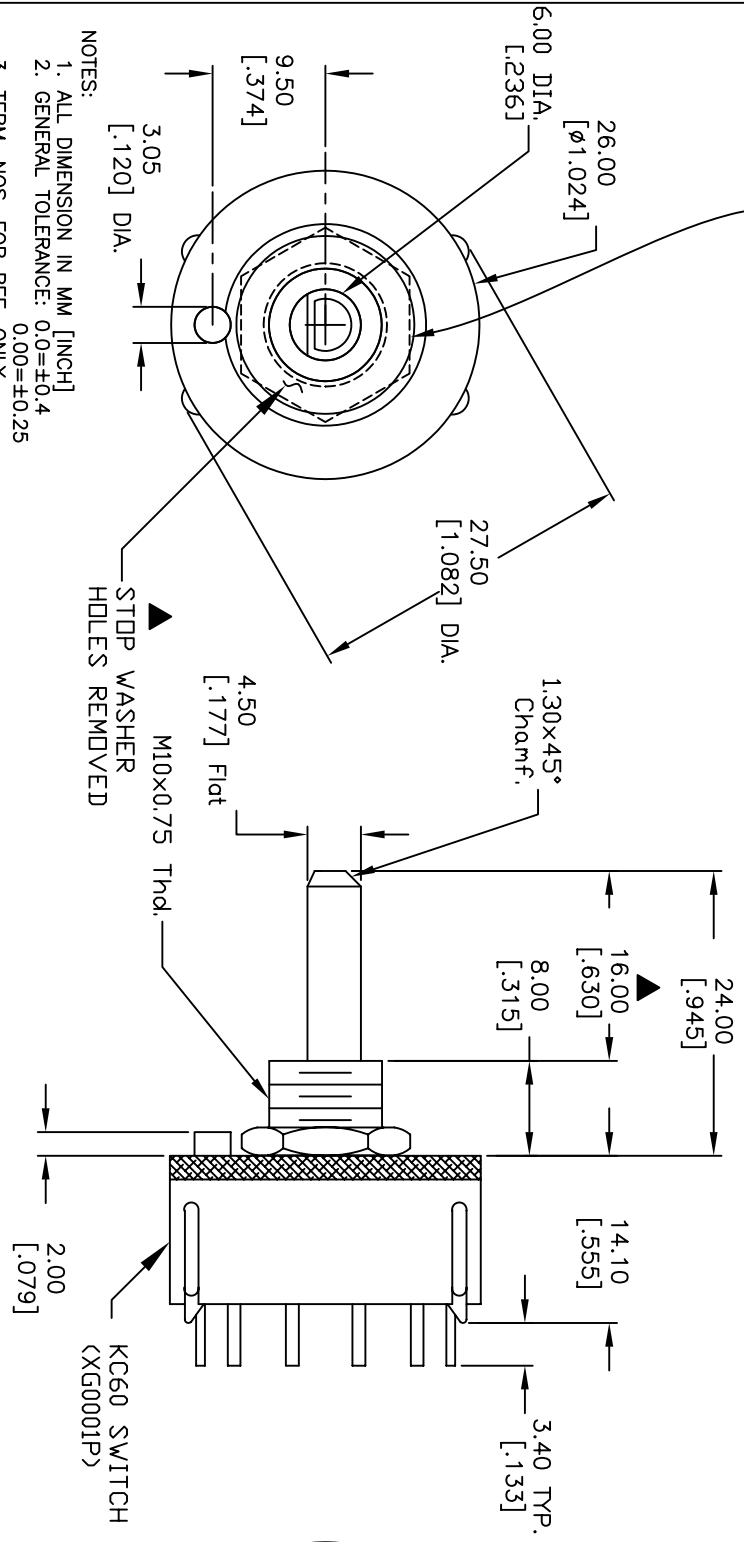


▲ HARDWARE SUPPLIED BULK
 ROTARY SWITCH NUT (G2000003) QTY 1
 ROTARY SWITCH WASHER (G2000004) QTY 1
 ROTARY SWITCH LOCKRING (G2000000) QTY 1



NOTES:

1. ALL DIMENSION IN MM [INCH]
2. GENERAL TOLERANCE: 0.0=±0.4
0.00=±0.25
3. TERM. NOS. FOR REF. ONLY
4. CONTACT RATING SWITCHING: 150mA, 250V AC/DC
5. CONTACT RATING (NON-SWITCHING): 5 Amps
6. CIRCUIT: 6 POSITIONS, 60° INDEX, CONTINUOUS ROTATION.
7. HARDWARE SHIPPED BULK: G2000003, G2000004, G2000000
8. OPERATING FORCE: 425± 100 Grams/cm
9. OPERATING TEMP.: -30°C to 85°C
10. DIELECTRIC STRENGTH: 1000 V RMS min. @sea level
11. DESIGNATE MAJOR DIMENSIONS
12. TERMINALS ARE GOLD FLASH OVER SILVER

C	15980	UPDATE WASHER NUMBER	4/21/06	CT
B	14582	ADD LOCKRING TO HARDWARE	12/17/04	AR
A	14515	RELEASED FOR PRODUCTION	11/17/04	AR
REV.	ECN NO.	DESCRIPTION	DATE	CHKD

TITLE		SCALE	DATE	DR	DWG	REV
KC60RANCONPF2 W/ GASKET AND HARDWARE		1.5:1	11/17/04	AR	XG0004A	C
E-SWITCH®						
THE INFORMATION CONTAINED IN THIS DOCUMENT IS PROPRIETARY TO E-SWITCH AND IS NOT TO BE COPIED OR TRANSFERRED						