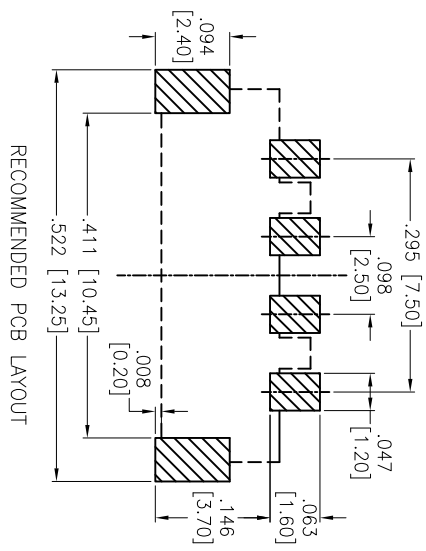
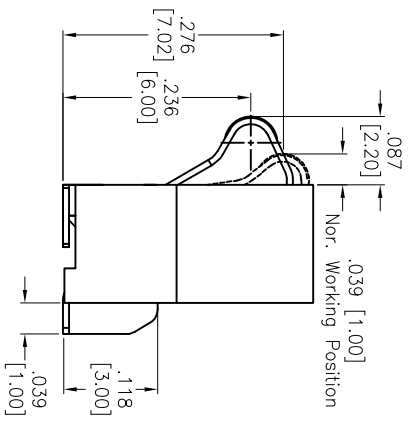
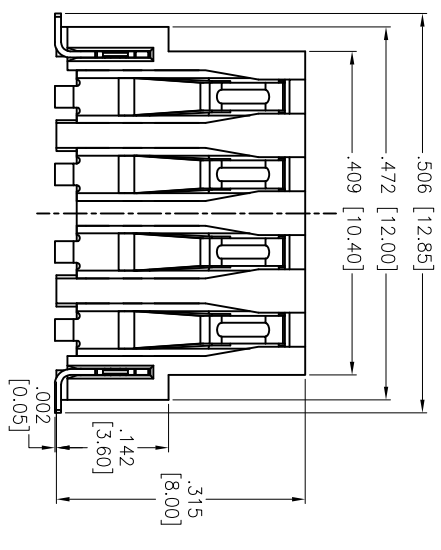
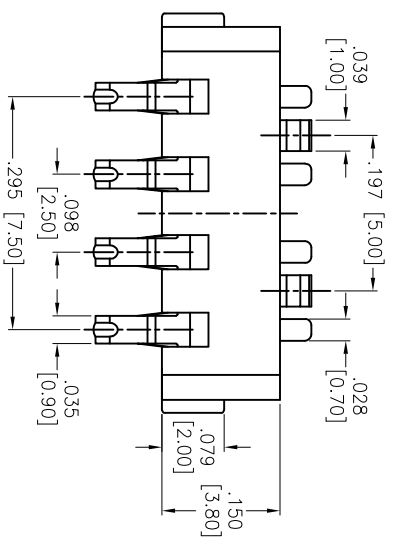


APPROVED: _____
 DATE: _____ TITLE: _____

Rev	AWO #	Description	Date	Appr
-		RELEASED	04/18/13	
A		REVISED DIM. & SPEC.	7/9/13	



RECOMMENDED PCB LAYOUT

SPECIFICATION:
Material: Insulator: Hi-Temp Thermoplastic, Rated UL-94V-0
 Insulator color: Black
 Contacts: Phosphor Bronze
 Latch: Stainless steel, Gold plated
Contact Plating: Gold flash over Nickel underplate overall
Electrical: Operating voltage: 15V DC max
 Current rating: 1 AMP
 Contact resistance: 40 Mohms max
 Insulation resistance: 1,000 Mohms min
 Dielectric withstanding voltage: 500V DC / minute
 Temperature Rating: Operating temperature range: -55°C to +85°C
 Environmental: Lead free, RoHS compliant.

PACKAGED ON TAPE & REEL

UNLESS OTHERWISE SPECIFIED ALL DIMENSIONS ARE INCHES [MM]	
TOLERANCES: EXCEPT AS NOTED	HOLE
.X ± .10	± .10
.XX ± .020	± .015
.XXX ± .015	± .010
APPROVALS	DATE
DRAWN TW	04/18/13
CHECKED GC	04/18/13
APPROVED	

ADAM TECH
 909 Rahway Avenue, Union, NJ 07083
 Phone: 908-687-5000 Fax: 908-687-5710

TITLE: MOBILE BATTERY CONNECTOR, 4 PINS
 .098" [2.50] PITCH, SMT TYPE, GOLD PLATED

Environmental: Lead free, RoHS compliant.



SIZE	PART NO.	SCALE	SHEET 1 OF 1
X	MBC-T-04-T/R	NTS	
REF:	SM02/4T		