

LD30011A/B Series – 3.00 inch Single Digit 7 Segment LED Display



ATTENTION
OBSERVE PRECAUTIONS
FOR HANDLING
ELECTROSTATIC
DISCHARGE
SENSITIVE
DEVICES



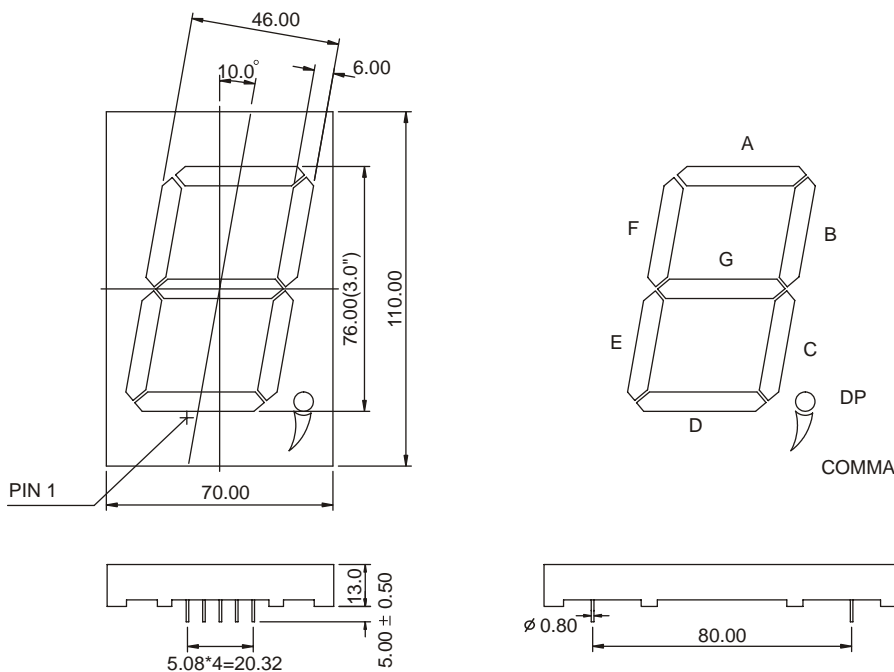
Features

- 76.00 mm (3.00 inch) digit high
- Excellent digit appearance
- Wide viewing angle
- Range of emitted colors
- I.C. compatible
- Low power consumption
- White segment, black face
- RoHS compliant

Available options

- Alternative emitting luminosity:
Standard or high brightness version
- Alternative emitted color
- Alternative face and segment color
- Alternative font
- Both CA and CC versions are available
- Cropped terminal pins

Package Dimensions

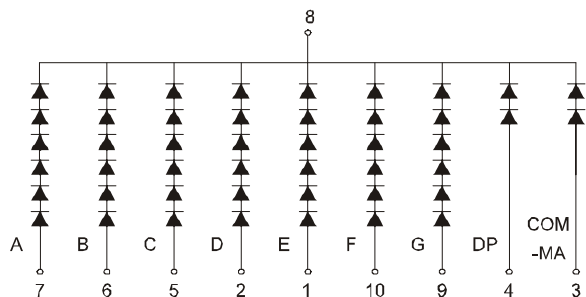


Notes:

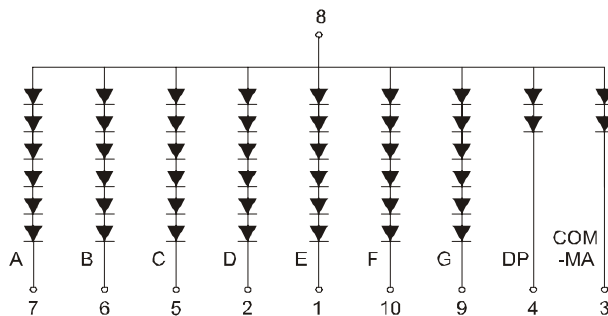
1. All dimensions are in millimeters (inches), Tolerance is $\pm 0.25\text{mm}$ (0.01inch) unless otherwise noted.
2. Specifications are subject to change without notice.
3. The gap between the reflector and PCB shall not exceed 0.25mm.

Internal Circuit Diagram

LD30011A (Common Cathode)



LD30011B (Common Anode)



Selection Guide

**Single Digit 7 Segment LED Display, Digit Height: 76mm(3inch), External Dimensions:
70.0x110.0x13.0mm (L x W x H)**

Part No.		Chip			Iv@IF=20mA		Iv@IF=20mA	
Common Cathode	Common Anode	Material	Color	WLD	One Seg		One DP	
					Min.	Typ.	Min.	Typ.
LD30011AR	LD30011BR	GaAlAs	Super Red	640	36	45	12	15
LD30011AD	LD30011BD	GaAlAs	Hi-Red	640	81	112.5	27	37.5
LD30011AO	LD30011BO	GaAsP	Orange	625	31.5	40.5	10.5	13.5
LD30011AY	LD30011BY	GaAsP	Yellow	588	36	45	12	15
LD30011AG	LD30011BG	GaP	Green	568	31.5	40.5	10.5	13.5
LD30011AUR	LD30011BUR	AlGaInP	Ultra Red	640	135	202.5	45	67.5
LD30011AUO	LD30011BUO	AlGaInP	Ultra Orange	625	202.5	270	67.5	90
LD30011AUA	LD30011BUA	AlGaInP	Ultra Amber	605	135	202.5	45	67.5
LD30011AUY	LD30011BUY	AlGaInP	Ultra Yellow	595	135	202.5	45	67.5
LD30011AUG	LD30011BUG	AlGaInP	Ultra Green	573	135	202.5	45	67.5
LD30011APG	LD30011BPG	InGaN	Pure Green	525	540	1350	180	450
LD30011AUB	LD30011BUB	InGaN	Ultra Blue	470	135	202.5	45	67.5
LD30011AUW	LD30011BUW	SMD	Ultra White	\	450	540	150	180
Unit:	\	\	\	nm	mcd	mcd	mcd	mcd

Electrical Characteristics & Absolute Maximum Ratings

Parameter		Electrical optical Characteristics ^[1]			Absolute Maximum Ratings ^[1]		
Emitted color		Forward Voltage @ IF=20mA		Reverse Current VR=5V	Power Dissipation	DC Forward Current	Peak Forward Current ^[2]
		Typ.	Max.				
Super Red	Per Seg.	1.8	2.2	30	60	25	100
	Per DP	1.8	2.2	30	60	25	100
Hi-Red	Per Seg.	1.8	2.2	30	60	25	100
	Per DP	1.8	2.2	30	60	25	100
Orange	Per Seg.	2.1	2.5	30	80	30	100
	Per DP	2.1	2.5	30	80	30	100
Yellow	Per Seg.	2.1	2.5	30	80	30	100
	Per DP	2.1	2.5	30	80	30	100
Green	Per Seg.	2.2	2.5	30	80	30	100
	Per DP	2.2	2.5	30	80	30	100
Ultra Red	Per Seg.	1.9	2.6	30	60	30	100
	Per DP	1.9	2.6	30	60	30	100
Ultra Orange	Per Seg.	2	2.6	30	65	30	100
	Per DP	2	2.6	30	65	30	100
Ultra Amber	Per Seg.	2	2.6	30	65	30	100
	Per DP	2	2.6	30	65	30	100
Ultra Yellow	Per Seg.	2	2.6	30	65	30	100
	Per DP	2	2.6	30	65	30	100
Ultra Green	Per Seg.	2.1	2.6	30	75	30	100
	Per DP	2.1	2.6	30	75	30	100
Pure Green	Per Seg.	3.5	4	30	110	30	100
	Per DP	3.5	4	30	110	30	100
Ultra Blue	Per Seg.	3.5	4	30	120	30	100
	Per DP	3.5	4	30	120	30	100
Ultra White	Per Seg.	3.5	4	30	120	30	100
	Per DP	3.5	4	30	120	30	100
Unit:	\	V	V	uA	mW	mA	mA

Notes:

1. At Ta = 25 °C.

2. Peak forward current at 1/10 Duty Cycle, 0.1ms Pulse.