

16-Channel Discrete-to-Digital Interface Sensing 28 Volt / Open and Open / Ground Signals

DESCRIPTION

The HI-8422 is a sixteen channel discrete-to-digital interface device. The device has eight channels designed to sense 28 V / Open signals and eight channels that sense Open / Ground signals. Data is multiplexed from each bank of sensors to an eight bit digital databus. Mixed-signal CMOS technology is used to provide superior low-power performance. The device outputs are CMOS / TTL compatible and may be disabled (tri-state) using the \overline{CE} and \overline{OE} pins.

The HI-8422 is offered in a small footprint 32-pin Plastic Quad Flat Package (PQFP). Please contact the Holt sales department for other packaging options.

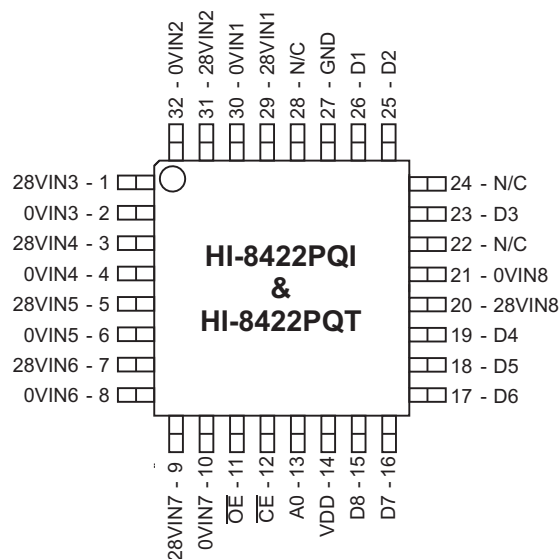
FUNCTION TABLE

28V Inputs	0V Inputs	A0	\overline{CE}	\overline{OE}	Output
Open	X	1	0	0	1
28 Volts	X	1	0	0	0
X	Open	0	0	0	0
X	Ground	0	0	0	1
X	X	X	1	X	High Z
X	X	X	X	1	High Z

FEATURES

- 8 independent 28 Volt / Open sensing channels
- 8 independent Open / Ground sensing channels
- 5.0 V single supply operation
- Low power CMOS technology
- Industrial and Extended temperature ranges

PIN CONFIGURATION

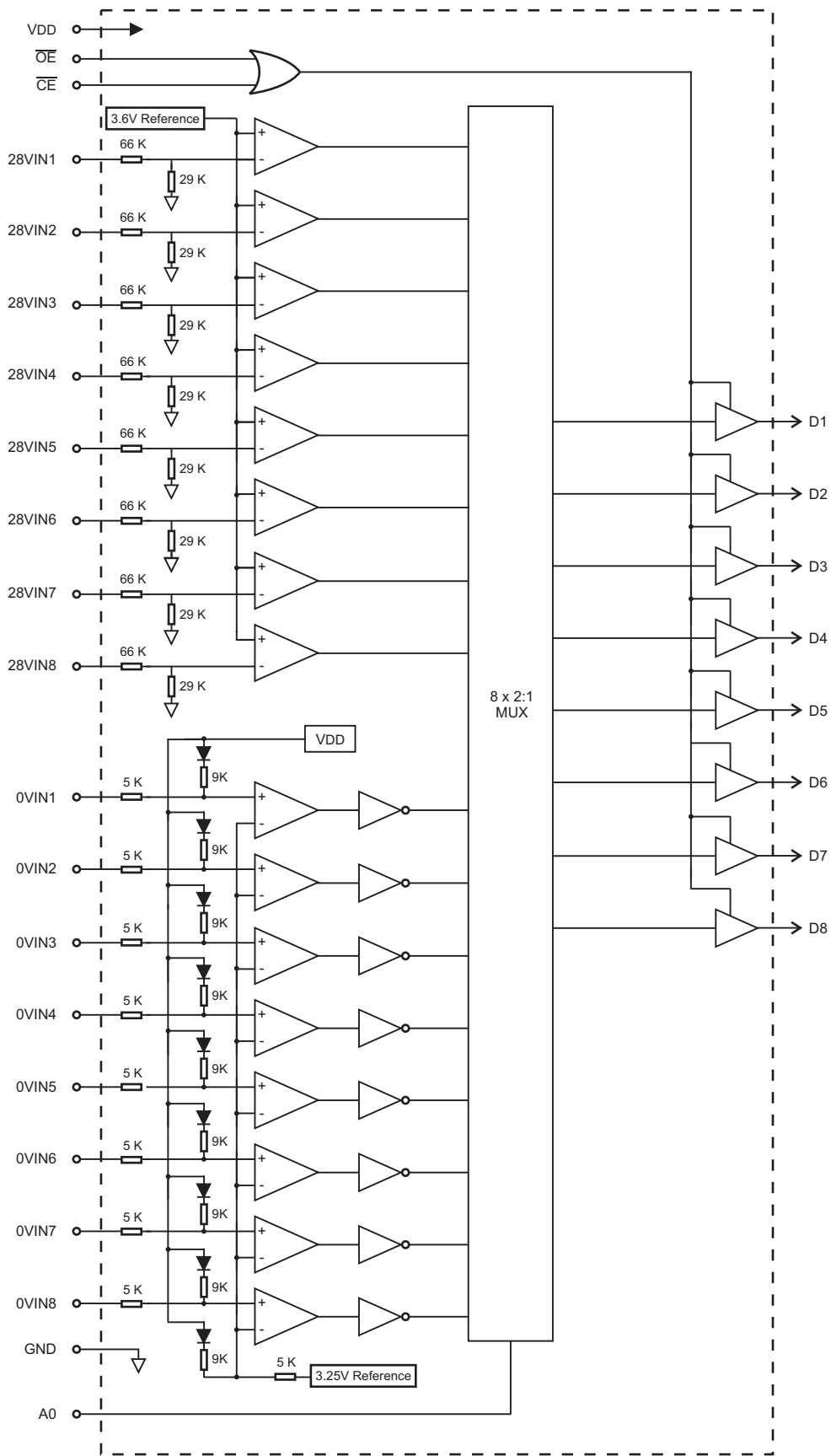


32 Pin PQFP package

PIN DESCRIPTIONS

PIN	SYMBOL	FUNCTION	DESCRIPTION
1	28VIN3	Discrete Input	28 Volt / Open sensing input, channel 3
2	0VIN3	Discrete Input	Open / Ground sensing input, channel 3
3	28VIN4	Discrete Input	28 Volt / Open sensing input, channel 4
4	0VIN4	Discrete Input	Open / Ground sensing input, channel 4
5	28VIN5	Discrete Input	28 Volt / Open sensing input, channel 5
6	0VIN5	Discrete Input	Open / Ground sensing input, channel 5
7	28VIN6	Discrete input	28 Volt / Open sensing input, channel 6
8	0VIN6	Discrete Input	Open / Ground sensing input, channel 6
9	28VIN7	Discrete Input	28 Volt / Open sensing input, channel 7
10	0VIN7	Discrete Input	Open / Ground sensing input, channel 7
11	\overline{OE}	Digital input	Output Enable. D1-D8 are high-impedance if \overline{OE} is high
12	\overline{CE}	Digital input	Chip Enable. D1-D8 are high-impedance if \overline{CE} is high
13	A0	Digital input	When A0 is high D1 - D8 outputs data from 28V comparators When A0 is low D1 - D8 show results from 0V comparators
14	VDD	Power	Positive supply voltage 5.0 V
15	D8	Tri-state output	Logic output, channel 8
16	D7	Tri-state output	Logic output, channel 7
17	D6	Tri-state output	Logic output, channel 6
18	D5	Tri-state output	Logic output, channel 5
19	D4	Tri-state output	Logic output, channel 4
20	28VIN8	Discrete Input	28 Volt / Open sensing input, channel 8
21	0VIN8	Discrete Input	Open / Ground sensing input, channel 8
22	N/C		Not connected
23	D3	Tri-state output	Logic output, channel 3
24	N/C		Not connected
25	D2	Tri-state output	Logic output, channel 2
26	D1	Tri-state output	Logic output, channel 1
27	GND	Power	Ground
28	N/C		Not connected
29	28VIN1	Discrete Input	28 Volt / Open sensing input, channel 1
30	0VIN1	Discrete Input	Open / Ground sensing input, channel 1
31	28VIN2	Discrete Input	28 Volt / Open sensing input, channel 2
32	0VIN2	Discrete Input	Open / Ground sensing input, channel 2

BLOCK DIAGRAM



ABSOLUTE MAXIMUM RATINGS

Supply voltage (VDD)	-0.3 V to +7 V
Logic input voltage range	-0.3 V to +5.5 V
Discrete input voltage range: 28V / Open Sensing	-80 V to + 80 V
Open / Ground Sensing	-80 V to + 80 V
Power dissipation at 25°C	350 mW
Solder Temperature	275°C for 10 sec
Storage Temperature	-65°C to +150°C

RECOMMENDED OPERATING CONDITIONS

Supply Voltage	VDD 4.5 V to 5.5 V
Operating Temperature Range	Industrial Screening -40°C to +85°C
	Hi-Temp Screening -55°C to +125°C

NOTE: Stresses above absolute maximum ratings or outside recommended operating conditions may cause permanent damage to the device. These are stress ratings only. Operation at the limits is not recommended.

DC ELECTRICAL CHARACTERISTICS

VDD = 5.0V ± 10%, GND = 0V, TA = Operating Temperature Range (unless otherwise specified).

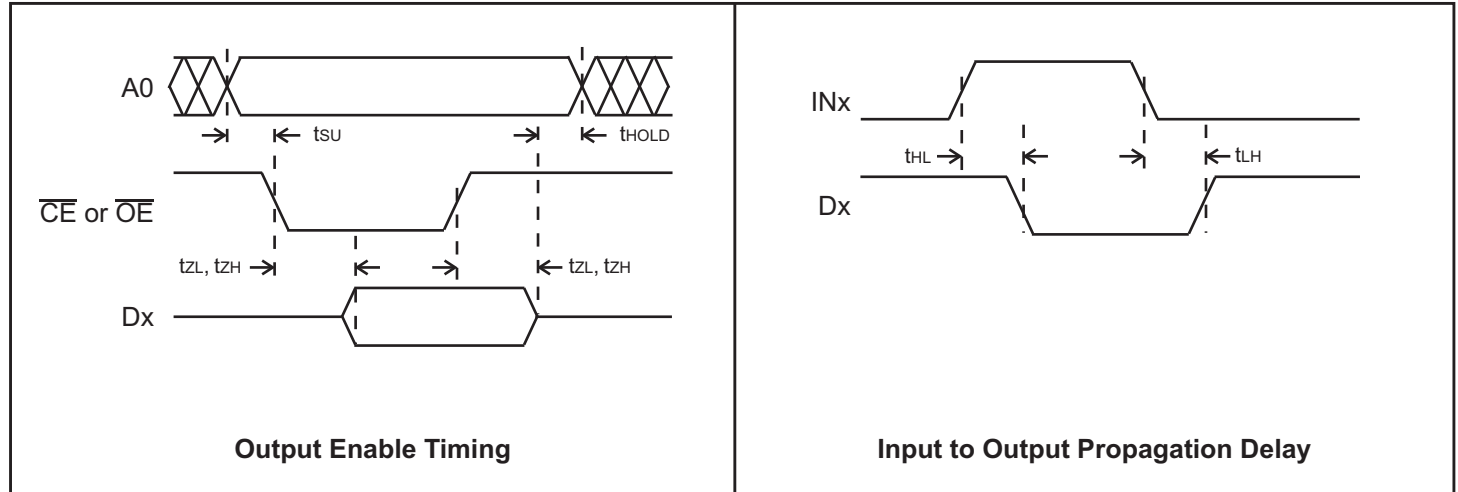
PARAMETER	SYMBOL	CONDITION	MIN	TYP	MAX	UNITS
28 V / OPEN DISCRETE INPUTS						
Open state input voltage	V _{SO}	Input voltage to give high output	-5		10	V
28 V state input voltage	V _{S28}	Input voltage to give low output	14			V
Open state input current	I _{SO}	Maximum input current to give high output			84	µA
28 V state input current	I _{S28}	Minimum input current to give low output	197			µA
Input resistance	R _{IN}	0 V < V _{IN} < 16 V	71		119	KΩ
Input current at 28 V	I _{IN28}	V _{IN} = 28 V			394	µA
OPEN / GROUND DISCRETE INPUTS						
Ground state input voltage	V _{SG}	Input voltage to give high output			3.0	V
Open state input voltage	V _{SO}	Input voltage to give low output	3.5			V
Ground state input resistor	R _{IG}	Resistor from input to ground to give high output	0		100	Ω
Open state input resistor	R _{IO}	Resistor from input to ground to give low output	100			KΩ
Input source current	I _{IO}	Current sourced into 100Ω to ground	-100	-330		µA
Reverse leakage current	I _{IR}	V _{IN} = 35 V, V _{DD} = 0 V			5.0	mA
LOGIC INPUTS (\overline{CE}, \overline{OE})						
Input Voltage	Input voltage HI	V _{IH}	2.0			V
	Input voltage LO	V _{IL}			0.8	V
Input current	Input sink	I _{IH}			1.0	µA
	Input source	I _{IL}	-1.0			µA
OUTPUTS						
Logic output voltage	High	V _{OH}				V
	Low	V _{OL}			0.4	V
Logic output voltage (CMOS)	High	V _{OH}		V _{DD} - 0.2		V
	Low	V _{OL}			0.2	V
Tri-state output current		I _{OZ}			±10	µA
SUPPLY CURRENT						
V _{DD} current		I _{DD}	V _{IN} = 0 V (28V inputs)		10	mA
			V _{IN} = V _{DD} (other inputs)		20	mA

AC ELECTRICAL CHARACTERISTICS

VDD = 5.0V ± 10%, GND = 0V, TA = Operating Temperature Range (unless otherwise specified).

PARAMETER	SYMBOL	CONDITION	MIN	TYP	MAX	UNITS
SWITCHING CHARACTERISTICS						
Propagation delay	IN to OUT	tLH, tHL			500	ns
Output enable time		tZL, tZH	From \overline{CE} or \overline{OE}		25	ns
Output disable time		tLZ, tHZ	From \overline{CE} or \overline{OE}		25	ns
A0 Set-up time		tSU	0			ns
A0 Hold time		tHOLD	0			ns

TIMING DIAGRAMS



INPUT SWITCHING THRESHOLD

The input switching threshold of the Open / Ground inputs will decrease with increasing series resistance according to the function

$$V_T = 3.25 - 0.1R$$

where V_T is the nominal input switching threshold, and R is the value of the external series resistor in Kohms.

ORDERING INFORMATION

HI - 8422PQ x x

PART NUMBER	LEAD FINISH
Blank	Tin / Lead (Sn / Pb) Solder
F	100% Matte Tin (Pb-free, RoHS compliant)

PART NUMBER	TEMPERATURE RANGE	FLOW	BURN IN
I	-40°C TO +85°C	I	NO
T	-55°C TO +125°C	T	NO

PART NUMBER	PACKAGE DESCRIPTION
8422PQ	32 PIN PLASTIC QUAD FLATPACK PQFP (32PTQS)

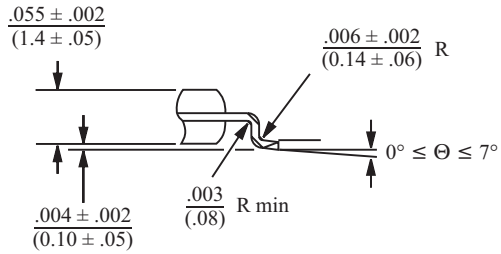
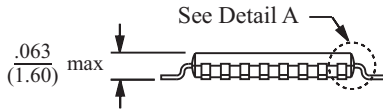
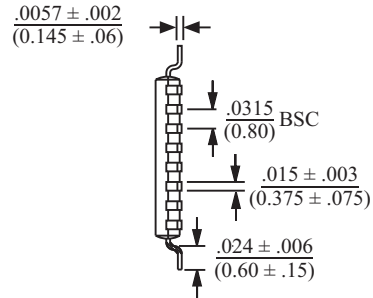
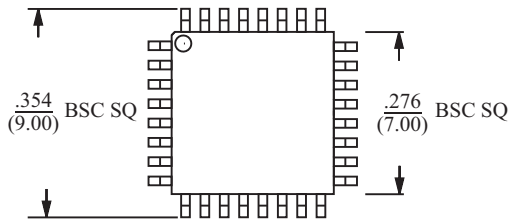
REVISION HISTORY

P/N	Rev	Date	Description of Change
DS4422	G	08/04/10	Removed reference to lightning protected inputs throughout datasheet, changed discrete input voltage range and clarified temperature ranges in Features.

32 PIN PLASTIC QUAD FLAT PACK (PQFP)

inches (millimeters)

Package Type: 32PTQS



Detail A

BSC = "Basic Spacing between Centers" is theoretical true position dimension and has no tolerance. (JEDEC Standard 95)