

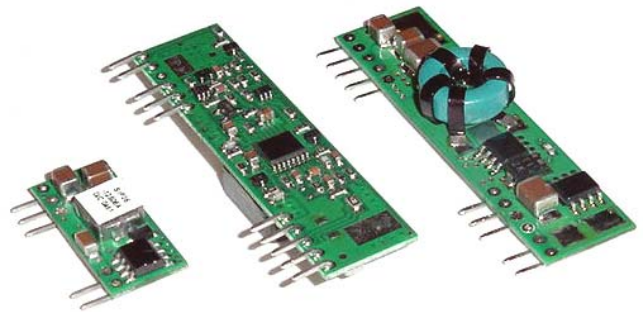
## BSIP10-12

## BSMT10-12 Series

## 10A SIP & SMT 12V Input DC-DC Converters

### Features

- Industry standard pin out
- High efficiency to 95%
- 300KHz switching frequency
- 9.0 – 14 Vdc input range
- Over temperature protection
- Continuous short circuit protection
- Remote On/Off
- Cost efficient open frame design
- UL / cUL 60950 certified



Model Number	Input Voltage	Output Voltage	Output Current	Input Current		% Efficiency
				No Load	Full Load	
BSIP10-12-100 / BSMT10-12-100	9.0 -14 Vdc	1.0 Vdc	10A	50 mA	992 mA	84
BSIP10-12-120 / BSMT10-12-120	9.0 -14 Vdc	1.2 Vdc	10A	50 mA	1163 mA	86
BSIP10-12-150 / BSMT10-12-150	9.0 -14 Vdc	1.5 Vdc	10A	50 mA	1404 mA	89
BSIP10-12-180 / BSMT10-12-180	9.0 -14 Vdc	1.8 Vdc	10A	60 mA	1666 mA	90
BSIP10-12-200 / BSMT10-12-200	9.0 -14 Vdc	2.0 Bdc	10A	60 mA	1832 mA	91
BSIP10-12-250 / BSMT10-12-250	9.0 -14 Vdc	2.5 Vdc	10A	60 mA	2264 mA	92
BSIP10-12-330 / BSMT10-12-330	9.0 -14 Vdc	3.3 Vdc	10A	70 mA	2956 mA	93
BSIP10-12-500 / BSMT10-12-500	9.0 -14 Vdc	5.0 Vdc	10A	70 mA	4385 mA	95
BSIP10-12-500A / BSMT10-12-500A	8.3 -14 Vdc	0.75-5.0 Vdc	10A	70 mA	2956 mA	93% @ 3.3Vo





**Temperature Typical Derating Curve**

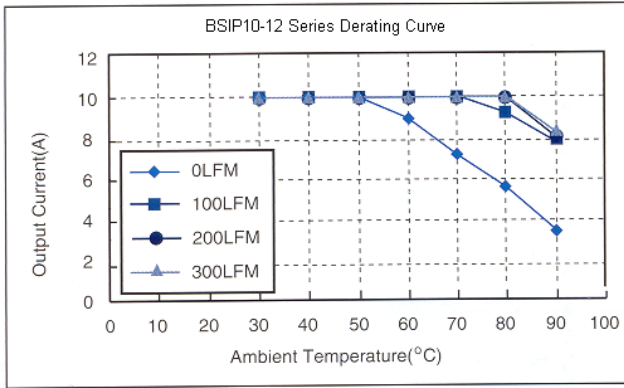


Fig 1.: Typical Derating Curve of BSIP10-12 series

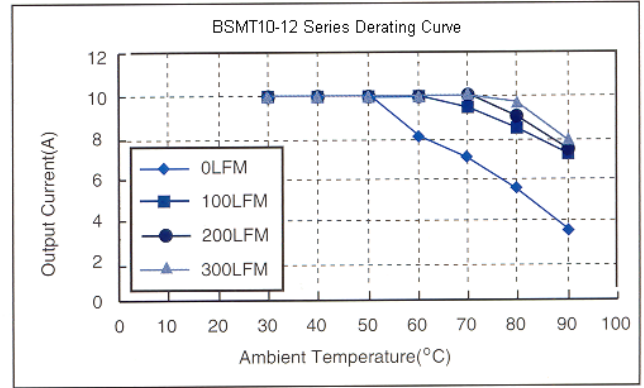
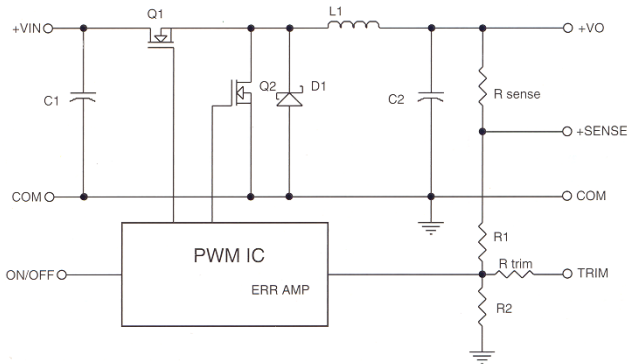


Fig 2.: Typical Derating Curve of BSMT10-12 series

**Trim Resistor Values**



Vo (set) (V)	Rtrim (Kohm)
0.75	Open
1.2	22.33
1.5	13
1.8	9
2	7.4
2.5	5
3.3	3.12
3.63	1.47

Fig 3.: Simplified Schematic

The information and specifications contained in this brief are believed to be accurate and reliable at the time of publication. Specifications are subject to change without notice. Refer to product specification sheet for performance characteristics and application guidelines.