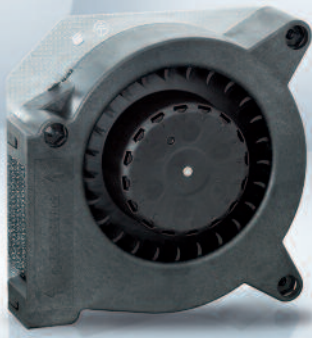


Max. 55 m³/h

DC centrifugal fans

□ 121 x 37 mm



- **Material:** Scroll housing: GRP¹⁾
Impeller: GRP¹⁾
Base plate: Sheet steel
 - **Direction of air flow:** Axial: Intake,
Centrifugal: Exhaust
 - **Connection:** via single wires AWG 22, TR 64
 - **Highlights:** Forward-curved impeller
 - **Weight:** 420 g
- **Possible special versions:** (See chapter DC fans - specials)
 - Speed signal
 - Go / NoGo alarm
 - Alarm with speed limit
 - External temperature sensor
 - Internal temperature sensor
 - PWM control input
 - Analog control input
 - Moisture protection
 - Salt spray protection
 - Degree of protection: IP 54 / IP 68

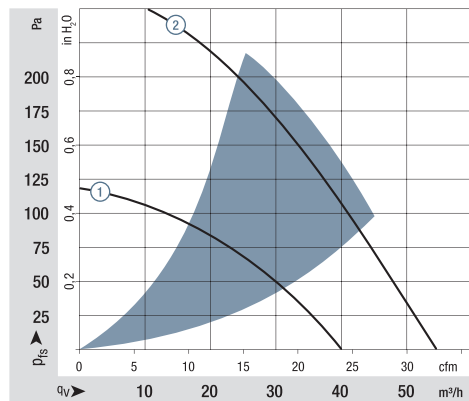
1) Fiberglass-reinforced plastic

Series RL 90 N

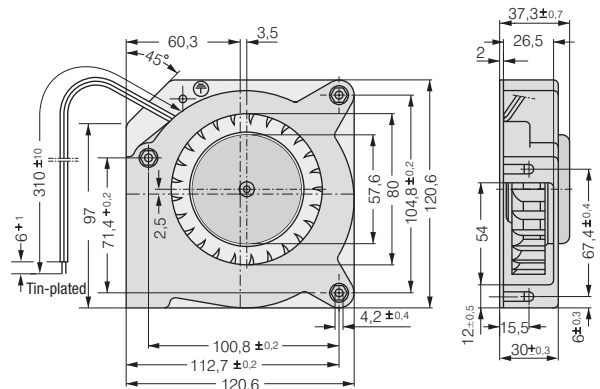
Nominal data

| Type | Air flow | | Nominal voltage | Voltage range | | Sound power level | Sintec sleeve bearings Ball bearings | Power consumption | Nominal speed | Temperature range | Service life L ₁₀ (40 °C) ebm-papst standard | Service life L ₁₀ (T _{max}) ebm-papst standard | Life expectancy L ₁₀ IPC (40 °C) see page 17 | Curve |
|----------------|-------------------|------|-----------------|---------------|-----|-------------------|---|-------------------|---------------|-------------------|--|--|--|-------|
| | m ³ /h | cfm | | VDC | VDC | | | | | | | | | |
| RL 90-18/12 N | 40 | 23.5 | 12 | 7...15 | 5.8 | ■ | 6.3 | 2 500 | -30...+75 | 62 500 / 27 500 | 105 000 | ① | | |
| RL 90-18/14 NG | 40 | 23.5 | 24 | 12...28 | 5.8 | □ | 5.6 | 2 500 | -20...+75 | 62 500 / 27 500 | 105 000 | ① | | |
| RL 90-18/14 N | 40 | 23.5 | 24 | 12...28 | 5.8 | ■ | 5.6 | 2 500 | -30...+75 | 62 500 / 27 500 | 105 000 | ① | | |
| RL 90-18/18 NH | 55 | 32.4 | 48 | 36...53 | 6.9 | ■ | 14.7 | 3 500 | -30...+65 | 32 500 / 17 500 | 55 000 | ② | | |

Subject to change



Air performance measured according to: ISO 5801.
Installation category A, without contact protection.
Noise: Total sound power level L_{WA} ISO 103002 measured on a hemisphere with a radius of 2 m; Sound pressure level L_{PA} measured at 1 m distance from fan axis.
The acoustic values are only valid for the described measurement setup and may vary depending on the installation situation.
In the event of deviation from the standard configuration, the parameters must be checked after installation!
For detailed information see <http://www.ebmpapst.com/general-conditions>



Screw clip M4 or 8-32UNC. Screw-in depth max. 12.5 min. 9.0