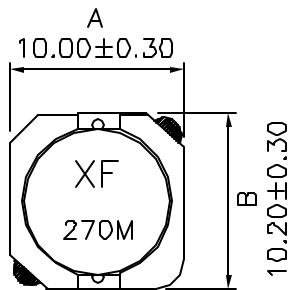
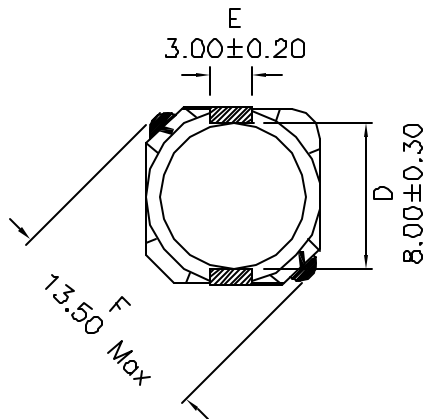
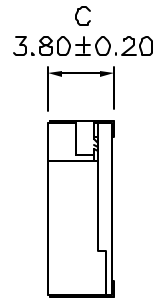


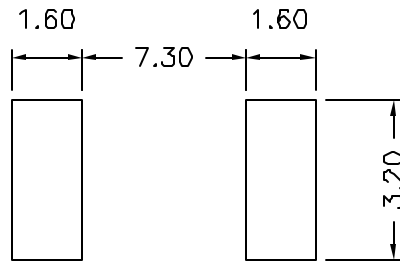
1. Mechanical Dimensions:



(TOP VIEW)

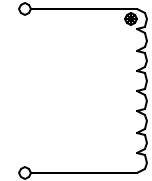


(BOTTOM VIEW)



(SUGGESTED MOUNTING PAD)

2. Schematic:



3. Electrical Specification:

OCL: 27uH ± 20% @ 100KHz 0.1V

Q: 30 Min @ 100KHz 0.1V

Current: 2.6A_{dc} (OCL drop in 35% Typ)

DCR: 0.083 Ohms Max

Notes:

1. Solderability: Leads shall meet MIL-STD-2026, Method 208H for solderability.
2. Flammability: UL94V-0
3. ASTM oxygen index: > 28%
4. Insulation System: Class F 155°C. UL file E151556
5. Operating Temperature Range: All listed parameters are to be within tolerance from -40°C to +85°C
6. Storage Temperature Range: -55°C to +125°C
7. Aqueous wash compatible
8. SMD Lead Coplanarity: ±0.004" (0.102mm)
9. Electrical and mechanical specifications 100% tested
10. RoHS Compliant Component

DOC REV: A/3

XFMRs Inc. www.XFMRs.com		Title: HIGH CURRENT SELF-LEADED SMT INDUCTORS	
UNLESS OTHERWISE SPECIFIED TOLERANCES: N/A Dimensions in MM	P/N: XFTPRH104-270M		REV. A
	DWN.	Xianyi	Aug-20-08
	CHK.	YK Liao	Aug-20-08
SHEET 1 OF 1	APP.	BW	Aug-20-08