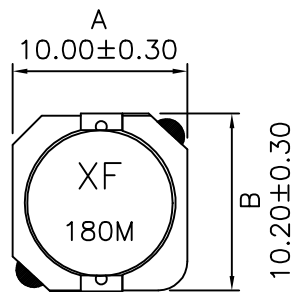
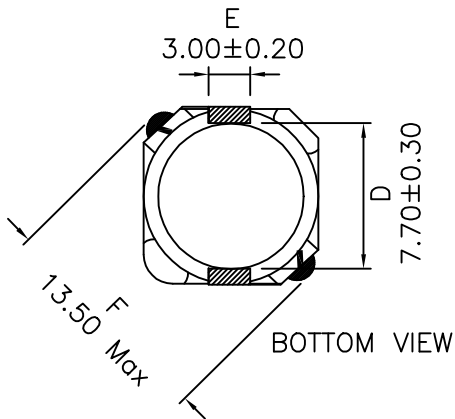
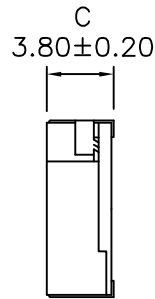


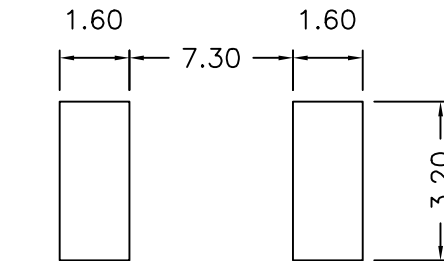
1. Mechanical Dimensions:



TOP VIEW

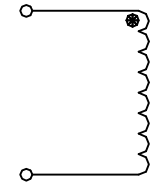


BOTTOM VIEW



(SUGGESTED MOUNTING PAD)

2. Schematic:



3. Electrical Specification:

OCL: 18.0uH±20% @100KHz, 0.1V

OCL: 12.96uH Min @100KHz, 0.1V, 1.80Adc

DCR: 0.084 Ohms Max

Notes:

1. Solderability: Leads shall meet MIL-STD-202, Method 208D for solderability.
2. Flammability: UL94V-0
3. ASTM oxygen index: > 28%
4. Insulation System: Class F 155°C. UL file E151556
5. Operating Temperature Range: -40°C to +85°C
6. Storage Temperature Range: -55°C to +125°C
7. Aqueous wash compatible

DOC. REV: A/2

XFMRs Inc.	Title: HIGH CURRENT SELF-LEADED SMT INDUCTORS		
	UNLESS OTHERWISE SPECIFIED	P/N: XFTPRH104-180M	REV. A
TOLERANCES: N/A	DWN.	李小锋	Apr-11-02
Dimensions in MM	CHK.	廖玉坤	Apr-11-02
SHEET 1 OF 1	APP.	Joe Huff	Apr-11-02