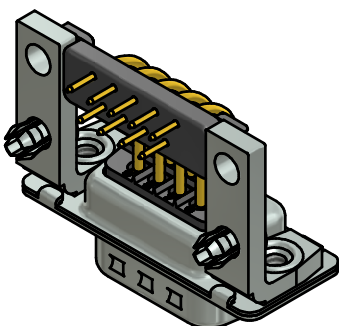


NOTES:

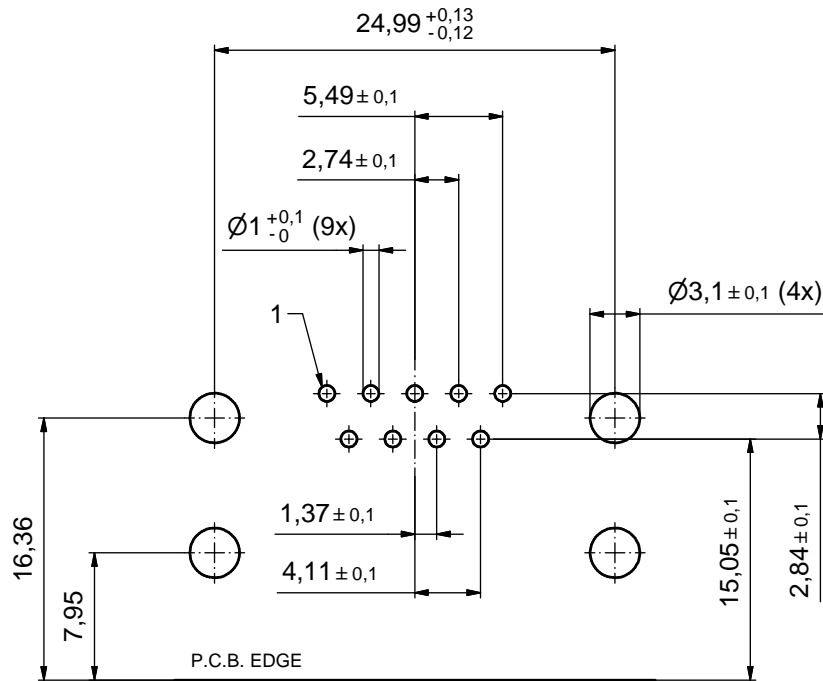
1. METAL SHELLS: STEEL; min. 315µm TIN over 40-80µm NICKEL
2. INSULATORS: PBT GF UL 94 V-0; BLACK
3. SIGNAL CONTACTS: COPPER ALLOY; PLATING (SEE PART NO.):
 - PLEASE ADD A for GOLD FLASH over NICKEL (PREFERRED TYPE)
 - PLEASE ADD B for 20µm HARD GOLD over min. 50µm NICKEL
 - PLEASE ADD C for 30µm HARD GOLD over min. 50µm NICKEL
4. METAL BRACKETS: ZINC DIE CAST; 300µm COPPER/40-120µm NICKEL/ 120-200 TIN
5. THREADED INSERTS: COPPER ALLOY; min. 200µm TIN over 80µm NICKEL
6. PCB-SNAPS: COPPER ALLOY; min. 200µm TIN over 80µm NICKEL
PCB-HOLE: Ø3,1 Ø±0,1; PCB THICKNESS 1,6mm
7. FIXING-PLATE: PBT GF UL 94 V-0; BLACK
8. PCB HOLE DRILLINGS ON SHEET 2
9. MAXIMUM TORQUE VALUE FOR THREAD: 6 in.LB
10. CONNECTOR IS PART MARKED: 163 □ 19209X CONEC ABC (see note 3)



Directive 2002/95/EC RoHS compliant

THIS DRAWING MAY NOT BE COPIED OR REPRODUCED IN ANY WAY, AND MAY NOT BE PASSED ON TO A THIRD PARTY WITHOUT WRITTEN PERMISSION. OWNERSHIP AND COPYRIGHT OF CONEC GmbH DO NOT ALTER CAD DRAWING BY HAND	tolerance		dim. in mm		scale: 2:1 (5:1)	
					material: SEE NOTES	
			date		title:	
			name		D-SUB MALE 90° 9pos. SOLDER PIN ANGLED 0.590inch threaded insert, metal bracket, snap, fixing plate	
			drawn 26.10.12 Henneboel			
			appd. 29.10.12 Fischer			
			norm			
			d-old		dwg no:	
	a Original				16K1A3124	
	rev. description date name				part no: 163 □ 19209X (see note 3)	
				DIN-A3		
				sh:1/2		

P.C.B. HOLE DRILLINGS
(P.C.B. TOP SIDE)



THIS DRAWING MAY NOT BE COPIED OR REPRODUCED IN ANY WAY, AND MAY NOT BE PASSED ON TO A THIRD PARTY WITHOUT WRITTEN PERMISSION. OWNERSHIP AND COPYRIGHT OF CONEC GmbH DO NOT ALTER CAD DRAWING BY HAND				tolerance		scale: 3:1		
				dim. in mm		material: SEE NOTES		
	rev.	description	date	name	date	name	title: P.C.B. HOLE DRILLINGS D-SUB MALE 90° 9pos. 0.590inch with threaded insert, metal bracket, snap, fixing plate dwg no: 16K1A3124 part no: SEE SHEET 1	
	a	Original			drawn	26.10.12		Henneboel
					appd.	26.10.12		Fischer
					norm			
					d-old			
				CONEC [®]		DIN-A3		
						sh:2/2		