



BZT52CXXXS

Preliminary

ZENER DIODE

SURFACE MOUNT ZENER DIODE

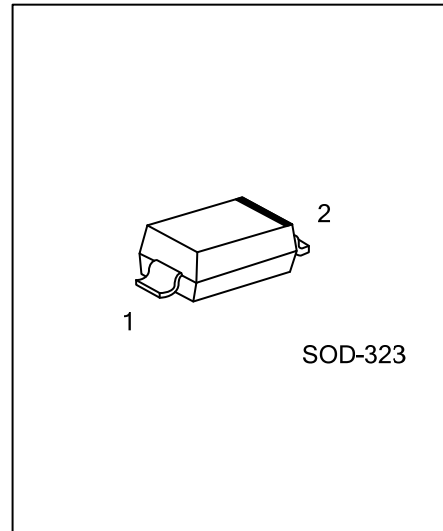
■ DESCRIPTION

The UTC **BZT52CXXXS** is surface mount zener diode. it uses UTC's advanced technology to provide the customers with low leakage current, etc.

The UTC **BZT52CXXXS** is suitable for automated assembly processes, etc.

■ FEATURES

* Low leakage current



■ ORDERING INFORMATION

Ordering Number		Package	Pin Assignment		Packing
Lead Free	Halogen Free		1	2	
BZT52C5V6SL-CB2-R	BZT52C5V6SG-CB2-R	SOD-323	A	K	Tape Reel
BZT52C6V2SL-CB2-R	BZT52C6V2SG-CB2-R	SOD-323	A	K	Tape Reel
BZT52C16SL-CB2-R	BZT52C16SG-CB2-R	SOD-323	A	K	Tape Reel

Note: Pin Assignment: A: Anode, K: Cathode

<p>BZT52CXXXSL-CB2-R</p> <p>(1) Packing Type (2) Package Type (3) Lead Plating (4) Output Voltage</p>	<p>(1) R: Tape Reel (2) CB2: SOD-323 (3) L: Lead Free, G: Halogen Free (4) refer to MARKING INFORMATION</p>
--	---

■ MARKING INFORMATION

PACKAGE	VOLTAGE CODE	MARKING
SOD-323	5.6: 5.6V 6.2: 6.2V 16: 16V	<p>Voltage Code ← CXXX □ → L: Lead Free G: Halogen Free</p>

■ ABSOLUTE MAXIMUM RATINGS ($T_A=25^{\circ}\text{C}$, unless otherwise specified)

Single phase, half wave, 60Hz, resistive or inductive load. For capacitance load, derate current by 20%.

PARAMETER		SYMBOL	RATINGS	UNIT
Forward Voltage (Note)	$I_F=10\text{mA}$	V_F	0.9	V
Thermal characteristics				
Power Dissipation (Note 2)		P_D	200	mW
Operating Temperature		T_J	-55~+150	$^{\circ}\text{C}$
Storage Temperature		T_{STG}	-55~+150	$^{\circ}\text{C}$

Note: Absolute maximum ratings are those values beyond which the device could be permanently damaged. Absolute maximum ratings are stress ratings only and functional device operation is not implied.

■ ELECTRICAL CHARACTERISTICS ($T_A=25^{\circ}\text{C}$, unless otherwise specified)

($V_F = 0.9\text{V Max @ } I_F = 10\text{mA}$ for all types.)

Device	Marking Code	Nominal Zener Voltage				Zener Impedance			Reverse Leakage Current (Note)		Zener Current	
		$V_Z @ I_{ZT}$ (V)			I_{ZT}	$Z_{ZT} @ I_{ZT}$	$Z_{ZK} @ I_{ZK}$	I_{ZK}	I_R	@ V_R	mA	
		MIN	TYP	MAX	mA	TYP (Ω)		mA	TYP (μA)	TYP (V)	MIN	MAX
BZT52C5V6S	5.6	5.20	5.60	6.0	5	40	400	1.0	3	2.0	-2.0	2.5
BZT52C6V2S	6.2	6.08	6.2	6.32	5	10	150	1.0	2	4.0	0.4	3.7
BZT52C16S	16	15.68	16	16.32	5	40	200	1.0	0.1	11.2	10.4	14.0

Note: Short duration pulse test used to minimize self-heating effect.

UTC assumes no responsibility for equipment failures that result from using products at values that exceed, even momentarily, rated values (such as maximum ratings, operating condition ranges, or other parameters) listed in products specifications of any and all UTC products described or contained herein. UTC products are not designed for use in life support appliances, devices or systems where malfunction of these products can be reasonably expected to result in personal injury. Reproduction in whole or in part is prohibited without the prior written consent of the copyright owner. The information presented in this document does not form part of any quotation or contract, is believed to be accurate and reliable and may be changed without notice.