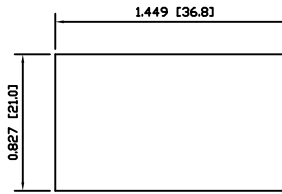
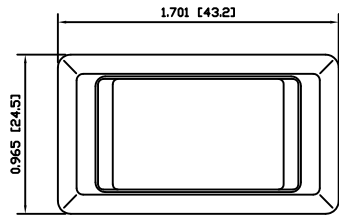


SUGGESTED PANEL CUTOUT



MATERIALS

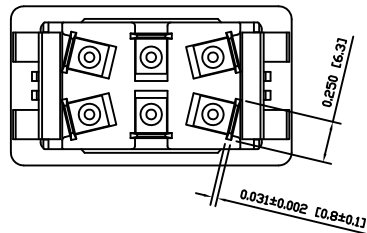
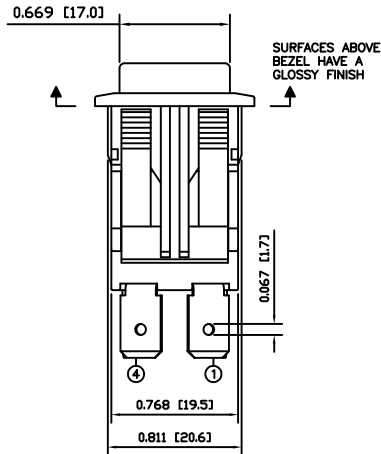
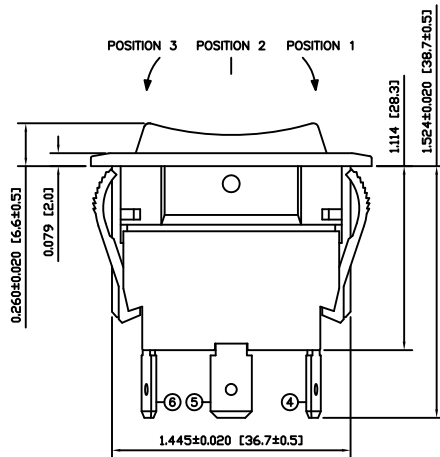
- BODY:
Phenolic (PF), UL94 V-2
- ACTUATOR:
Polyamide 6/6 (PA66), UL94 V-2
Brass
- SEALING MEMBRANE:
Polyvinyl Chloride (PVC)
- SPRING:
Plano Wire
- MOBILE CONTACT:
Silver Plated Copper
- CONTACTS:
Silver Clad Copper
- RIVETS:
Copper
- TERMINALS:
Brass

SPECIFICATIONS

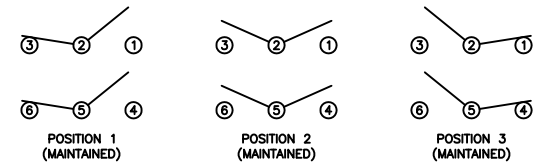
- FUNCTION:
2P2T ON-OFF-ON
- RATINGS:
ANSI/UL 508 and CAN/CSA C22.2 No.14 (E195908):
20A 125VAC [cURus]
15A 277VAC [cURus]
2HP 125/250VAC [cURus]
- CONTACT RESISTANCE:
Initial: 50mΩ Max. at 50VAC
- ELECTRICAL LIFE:
6,000 Cycles [cURus]
- TEMPERATURE:
Operating: -20°C to 55°C [cURus]
- INGRESS PROTECTION:
IP54
- APPROVALS:
 RoHS COMPLIANT

COLORS AND MARKINGS

- BODY COLOR:
Black
- ACTUATOR COLOR:
White
- MARKINGS:
None
- MARKING COLOR:
None



SCHEMATIC



ACTUATOR	A	09/06/15	CAB
BODY	A	09/06/12	CAB
COLORS	A	09/07/28	CAB
MATERIALS	A	09/06/15	CAB
SPECIFICATIONS	A	09/06/15	CAB
REFERENCE	REV.	DATE	BY

THE INFORMATION CONTAINED IN THIS DOCUMENT IS PROPRIETARY TO E-SWITCH AND IS NOT TO BE COPIED OR TRANSFERRED

A	INITIAL RELEASE	PCRD0050	09/07/28	CAB
REV.	DESCRIPTION	PCR	DATE	DRAWN BY

DIMENSIONS	INCHES [MILLIMETERS]
GENERAL TOLERANCES	±0.008 [±0.2] / ±1'
SCALE	DRAWING NOT TO SCALE

RWG46D1200		
DRAWING NUMBER	DATE	REVISION
34-RWG46D1200	JULY 28, 2009	A