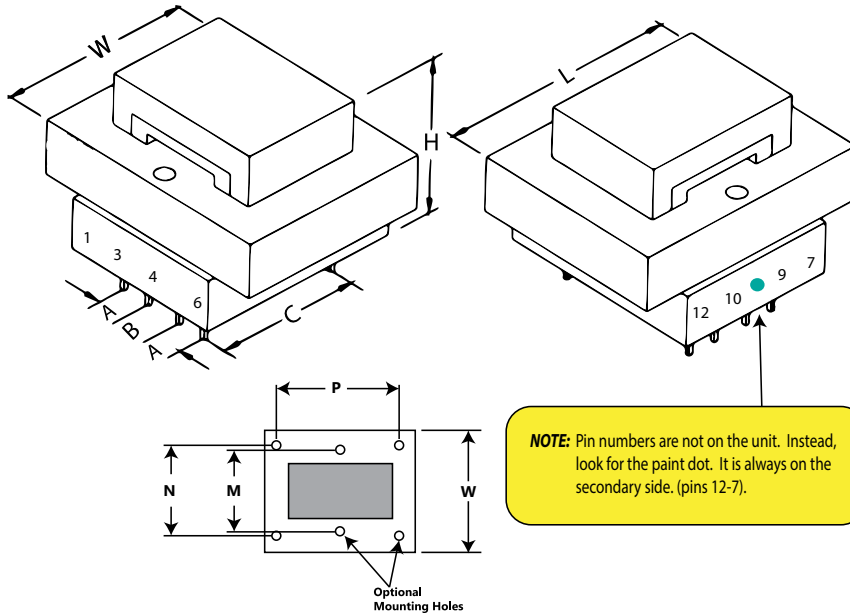


Low Voltage P.C. Board Mounted Power Transformer



NOTE: Pin numbers are not on the unit. Instead, look for the paint dot. It is always on the secondary side. (pins 12-7).

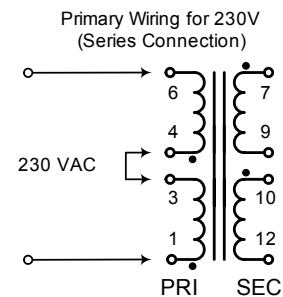
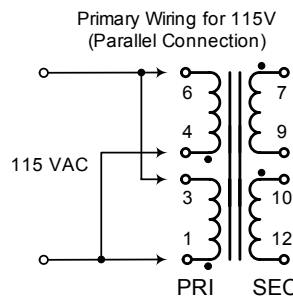
Key Features:

- Universal operation on 50/60Hz, 115 or 230V dual primary for worldwide use.
- Low Profile, split bobbin with top shroud design
- Dual winding secondary, non-concentrically wound.
- Low Primary to secondary coupling with no electro-static shield required.
- High Insulation - Hipot of 4,000V RMS
- Class F Insulation - 155 degrees C.
- P.C. Board mount with industry standard pin spacing.
- Agency listings: cURus, CE, and TUV.

Mechanical - inches (mm)	
L	2.63 (66.8)
W	2.19 (55.6)
H	1.56 (39.6)
A	0.55 (14)
B	0.28 (7.1)
C	1.68 (42.7)
M	- (-)
N	1.75 (44.5)
P	2.19 (55.6)
Pin Size	0.045 (1.1)
Screw Type	#6
Weight	1.15 lbs. / 0.52 kg
Electrical	
Size (VA)	30
Primary	115 / 230 VAC
Sec (Series)	16V C.T. @ 1.9A
Sec (Parallel)	8V @ 3.8A

Connection Information 183 Series Power Transformers

Primary Connections - 183 Series Transformers



Secondary Connections - 183 Series Transformers

