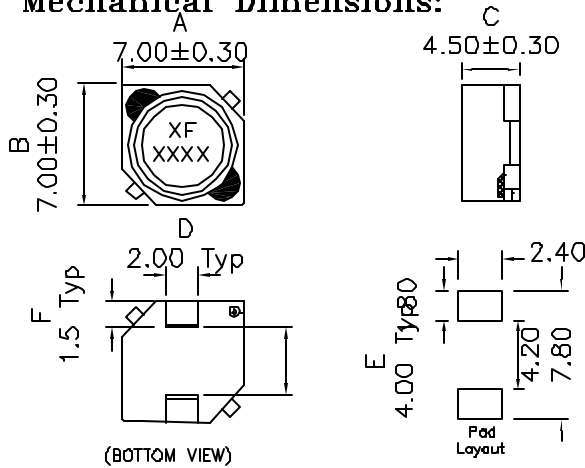


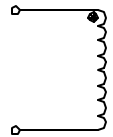
## XF7445 SERIES SHIELDED INDUCTORS

- \* LOW PROFILE SMD TYPE FOR HIGH CURRENT APPLICATION
- \* TAPE AND REEL PACKAGING FOR HIGH VOLUME MANUFACTURING  
1000 PCS PER 13" REEL
- \* FOR PORTABLE TELEPHONES, PERSONAL COMPUTERS, HDD APPLICATIONS
- \* TEMP. RISE; 30°C TYPICAL ABOVE 60°C AMBIENT
- \* OPERATING TEMP.: -40°C TO +125°C
- \* FLAMABILITY RATING: UL94V-0
- \* RoHS 6/6 Compliant

### Mechanical Dimensions:



### Schematic:



UNLESS OTHERWISE SPECIFIED  
TOLERANCES:  
.xx ±0.25  
Dimensions in MM

Part Number *	Inductance @100KHz 0.5V		Q Typ.	Test Frequency (mHz)	SRF Min. Max. (MHz)	RDC Max. (Ohms)	I <sub>rms</sub> Max. (A)	I <sub>sat</sub> Typ. (A)
	uH	Tol. %						
XF7445-100M	10	±20	30	2.52	25	0.042	2.00	1.70
XF7445-120M	12	±20	27	2.52	23	0.050	1.85	1.40
XF7445-150M	15	±20	31	2.52	24	0.062	1.6	1.35
XF7445-180M	18	±20	29	2.52	21	0.070	1.50	1.15
XF7445-220M	22	±20	26	2.52	18	0.082	1.35	1.10
XF7445-270M	27	±20	25	2.52	18	0.110	1.25	1.00
XF7445-330M	33	±20	25	2.52	12	0.115	1.15	0.90
XF7445-390M	39	±20	26	2.52	13	0.130	1.10	0.80
XF7445-470M	47	±20	29	2.52	11	0.150	0.95	0.78
XF7445-560M	56	±20	21	2.52	11	0.200	0.85	0.65
XF7445-680M	68	±20	22	2.52	10	0.210	0.77	0.60
XF7445-820M	82	±20	22	2.52	9	0.280	0.70	0.60
XF7445-101M	100	±20	40	0.796	8	0.300	0.65	0.50
XF7445-121M	120	±20	30	0.796	7	0.420	0.60	0.45
XF7445-151M	150	±20	51	0.796	7	0.480	0.53	0.41
XF7445-181M	180	±20	52	0.796	5	0.660	0.475	0.375
XF7445-221M	220	±20	44	0.796	5	0.700	0.45	0.36
XF7445-271M	270	±20	30	0.796	5	0.840	0.40	0.275
XF7445-331M	330	±20	65	0.796	4	0.730	0.40	0.25
XF7445-391M	390	±20	27	0.796	5	1.200	0.35	0.225
XF7445-471M	470	±20	80	0.796	3	1.100	0.32	0.22
XF7445-561M	560	±20	27	0.796	4	1.600	0.30	0.20
XF7445-681M	680	±20	65	0.796	3	1.600	0.27	0.20
XF7445-821M	820	±20	26	0.796	3	2.200	0.25	0.175
XF7445-102M	1000	±20	90	0.252	3	2.400	0.25	0.15

Rated Current: OCL drop 10% Typ at Isat(-100M to -221M)  
OCL drop 25% Typ at Isat(-271M to -102M)