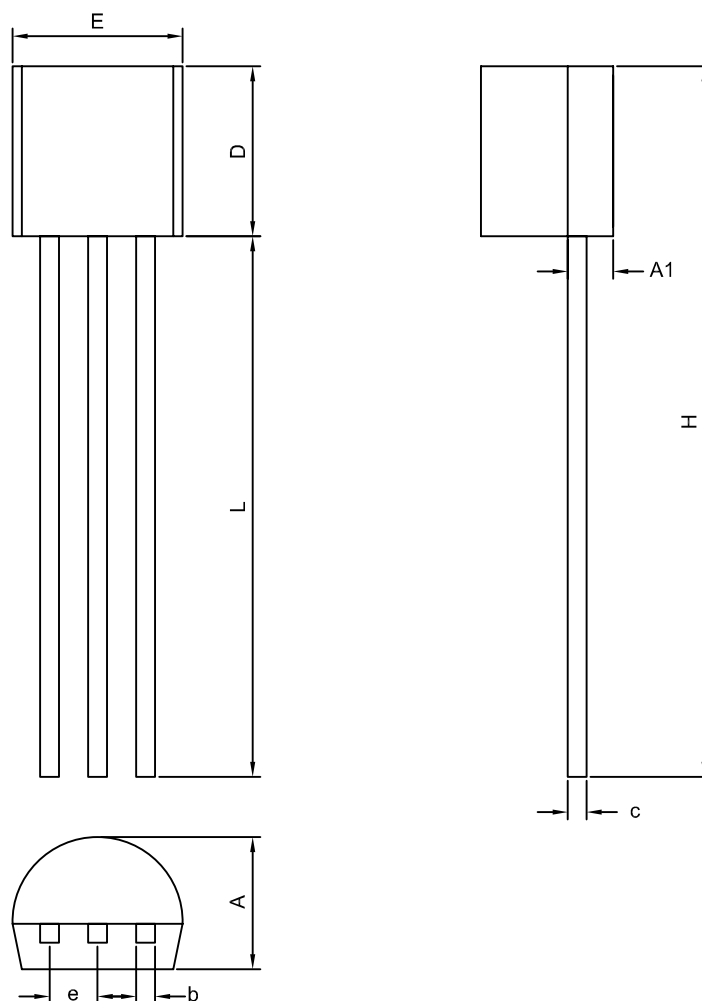




TO92



| Symble | DIMENSION IN MM | | | DIMENSION IN INCH | | |
|--------|-----------------|-------|-------|-------------------|-------|-------|
| | MIN. | NOM. | MAX. | MIN. | NOM. | MAX. |
| A | 3.30 | 3.50 | 3.70 | 0.130 | 0.138 | 0.146 |
| A1 | 1.10 | 1.20 | 1.40 | 0.043 | 0.047 | 0.055 |
| D | 4.30 | 4.60 | 4.80 | 0.169 | 0.181 | 0.189 |
| E | 4.40 | 4.60 | 4.90 | 0.173 | 0.181 | 0.193 |
| b | 0.36 | 0.45 | 0.51 | 0.014 | 0.018 | 0.020 |
| c | 0.36 | 0.45 | 0.51 | 0.014 | 0.018 | 0.020 |
| e | 1.27 BSC | | | 0.050 BSC | | |
| L | 14.30 BSC | | | 0.562 BSC | | |
| H | 18.00 | 19.00 | 20.00 | 0.709 | 0.748 | 0.787 |

Taping Specification

| | |
|---------|----------|
| PACKAGE | Q'TY/BAG |
| TO92 | 2,000ea |