

DISCONTINUED



Round Trimming Potentiometer – 3318 6mm

TSR-3318

微 調 電 位 器

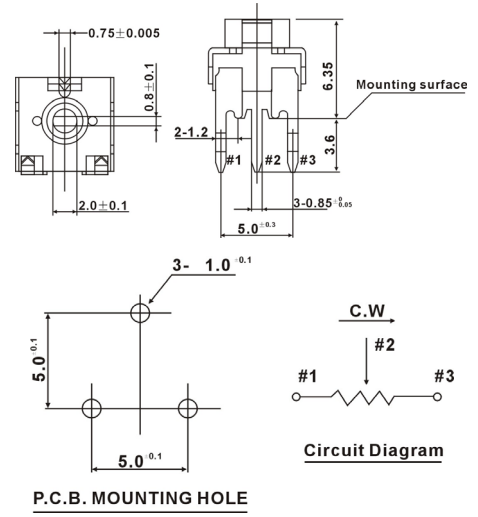
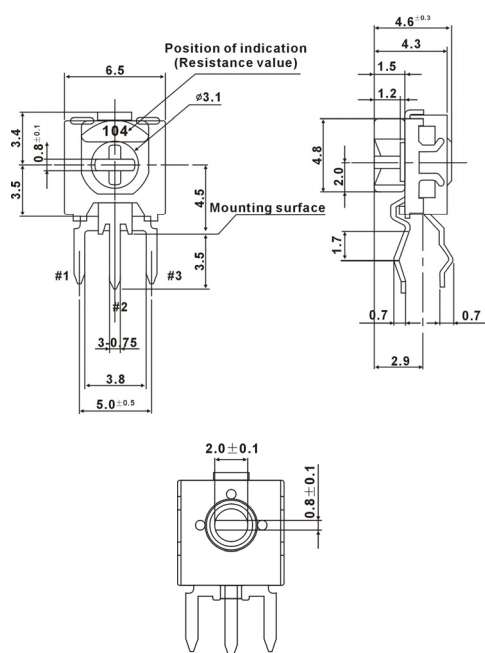
- 單圈的/碳膜型/工業用/密封
(Single Turn/ Phenolic/ Industrial/ Sealed)
- 2種引線的安裝尺寸
(2 Terminal Styles)

電氣特性 Electrical Characteristics	
Standard Resistance Range	100Ω - 1MΩ
Resistance Tolerance	±30%
Contact Resistance Variation	10% max
Resistance	Infinite
Adjustment Angle	210°±20°

環境特性 Environmental Characteristics	
Power Rating	100-500KΩ ----- 50V
	>500KΩ ----- 25V
	50°C ----- 0.1W
Temperature Range	-10°C to +70°C
Temperature Coefficient	±1000ppm/°C
Load Life	240 hours 0.1Watt 50°C (+5% ~ 20%)

物理特性 Physical Characteristics	
Torque (Operating)	20-250 g-cm
Terminals	Solderable pins
Marking	Resistance code, date code
Standard packaging	500pcs. Per bag
Aqueous cleaning not recommended	

TSR-3318K
FRONT VIEW



P.C.B. MOUNTING HOLE

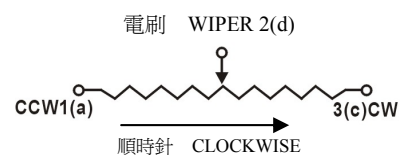
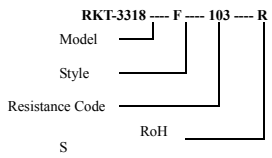
阻值代碼表

Standard Resistance table

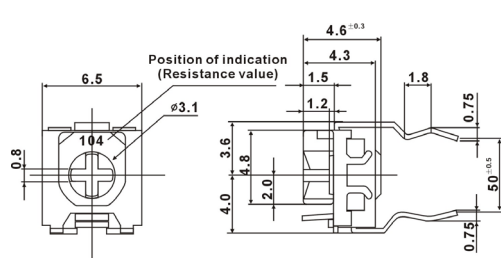
Resistance(Ohms)	Resistance Code
100	101
200	201
500	501
1,000	102
2,000	202
5,000	502
10,000	103
20,000	203
50,000	503
100,000	104
200,000	204
500,000	504
1,000,000	105

可按用戶要求提供特殊規格
Special resistances available.

訂購指南 How to Order



TSR-3318F
FRONT VIEW



圖中公差：除注明外均為±0.25
Tolerance is ±0.25 if no identification

Note: Specification are subject to change without notice. For more detail and update, please visit our website.