

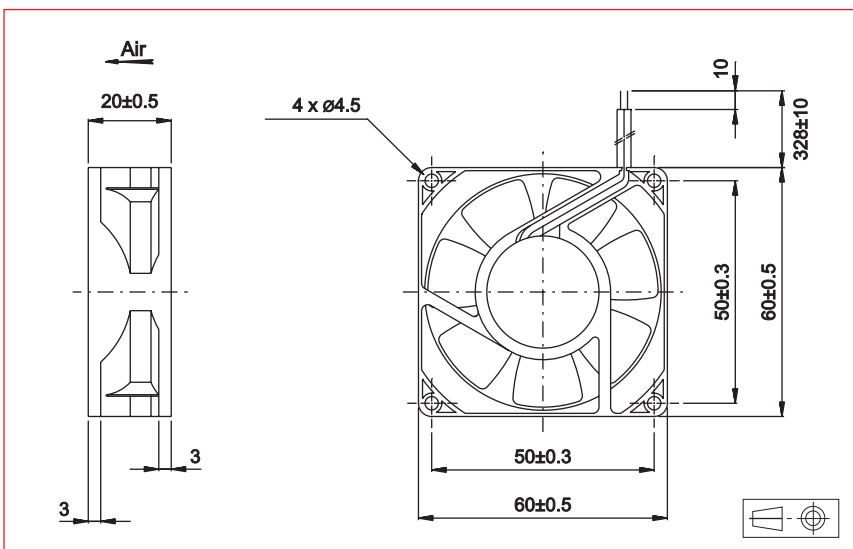


Approvals



Life expectancy

L-10 LIFE AT 40°C:
70 000 hours

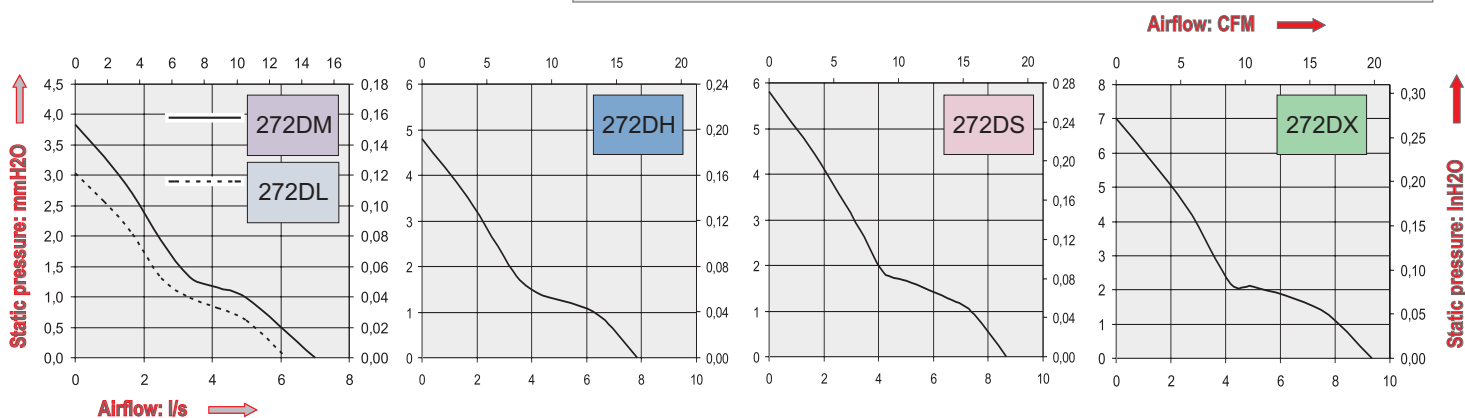


Brushless DC Motor

Electrical protection: integrated circuit
Housing material: plastic UL 94 V0
Impeller material: plastic UL 94 V0
Maximum weight: 62 g
Bearing system: ball bearings
Connection: flying leads
IP 20

Available with:

- Speed sensor
- Alarm
- IP 54 / IP 55



Part Number	Nominal voltage	Airflow	Noise level	Nominal speed	Input Power	Voltage range	Operating temperature	
	V	l/s	dB(A)	RPM	W	V	Min.°C	Max.°C
272DL5LP11000A	5	6,2	24	3200	0,70	(4,5-5,5)	-10	70
272DL1LP11000A	12	6,2	24	3200	0,84	(7-13,8)	-10	70
272DL2LP11000A	24	6,2	24	3200	0,72	(14-27,6)	-10	70
272DM5LP11000A	5	7,0	26	3600	0,95	(4,5-5,5)	-10	70
272DM1LP11000A	12	7,0	26	3600	1,08	(7-13,8)	-10	70
272DM2LP11000A	24	7,0	26	3600	0,96	(14-27,6)	-10	70
272DH5LP11000A	5	7,8	28	4000	1,20	(4,5-5,5)	-10	70
272DH1LP11000A	12	7,8	28	4000	1,32	(7-13,8)	-10	70
272DH2LP11000A	24	7,8	28	4000	1,20	(14-27,6)	-10	70
272DS5LP11000A	5	8,7	31	4400	1,65	(4,5-5,5)	-10	70
272DS1LP11000A	12	8,7	31	4400	1,80	(7-13,8)	-10	70
272DS2LP11000A	24	8,7	31	4400	1,68	(14-27,6)	-10	70
272DX1LP11000A	12	9,3	33	4800	2,16	(7-13,8)	-10	70
272DX2LP11000A	24	9,3	33	4800	2,16	(14-27,6)	-10	70