

STANDARD RECOVERY RECTIFIERS

1N4001S - 1N4007S



A-405 Axial Lead Plastic Package

These Axial Leaded Rectifiers are used for General-Purpose Low-Power Applications

ABSOLUTE MAXIMUM RATINGS (Ta = 25°C)

DESCRIPTION	SYMBOL	1N 4001S	1N 4002S	1N 4003S	1N 4004S	1N 4005S	1N 4006S	1N 4007S	UNIT
Peak Repetitive Reverse Voltage Working Peak Reverse Voltage DC Blocking Voltage	V_{RRM} V_{RWM} V_R	50	100	200	400	600	800	1000	V
Non-Repetitive Peak Reverse Voltage (halfwave, single phase, 60Hz)	V_{RSM}	60	120	240	480	720	1000	1200	V
RMS Reverse Voltage	$V_{R(RMS)}$	35	70	140	280	420	560	700	V
Average Rectified Current at Half Wave 0.375" Lead Length at Ta = 75°C	I_O	1.0							A
Non-Repetitive Peak Surge Current 8.3ms single half sine-wave superimposed on rated Load	I_{FSM}	30							A
Thermal Resistance from Junction to Ambient in free air	$R_{th(j-a)}$	50							°C/W
Storage Temperature Range	T_{stg}	- 65 to +175							°C
Operating Junction Temperature	T_j	-65 to +175							°C

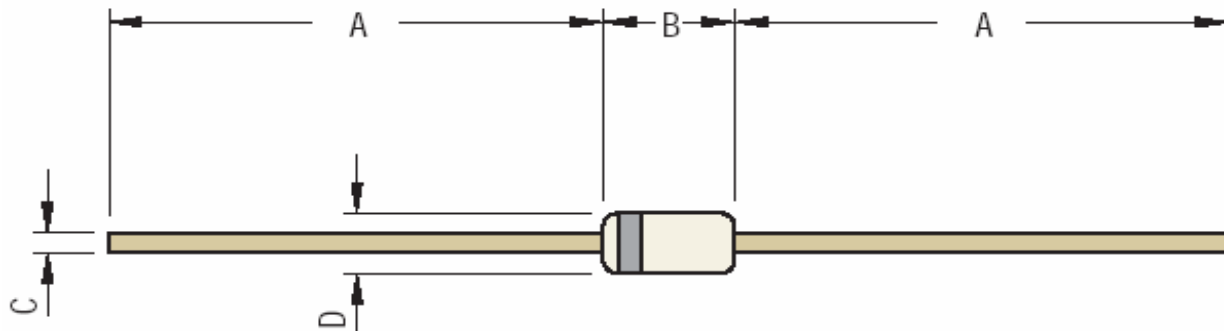
1N4001_07Rev020606D

A-405
Axial Lead Plastic
Package

ELECTRICAL CHARACTERISTICS (Ta = 25°C unless specified otherwise)

DESCRIPTION	SYMBOL	TEST CONDITION	MAX	UNIT
Maximum Instantaneous Forward Voltage Drop	V_F	$I_F = 1.0A$	1.1	V
Maximum Full-Cycle Average Forward Voltage Drop	$V_{F(AV)}$	$I_O = 1.0A, T_A = 75^\circ C$	0.8	V
Maximum Reverse Current	I_R	at rated V_R $T_A = 25^\circ C$ $T_A = 100^\circ C$	5 500	μA
Maximum Full-Cycle Average Reverse Current	$I_{R(AV)}$	$I_O = 1.0A, T_A = 75^\circ C$	30	μA
Junction Capacitance	C_j	$V_R = 4V, f = 1MHz$	typ 15	pF

A-405 Axial Lead Plastic Package



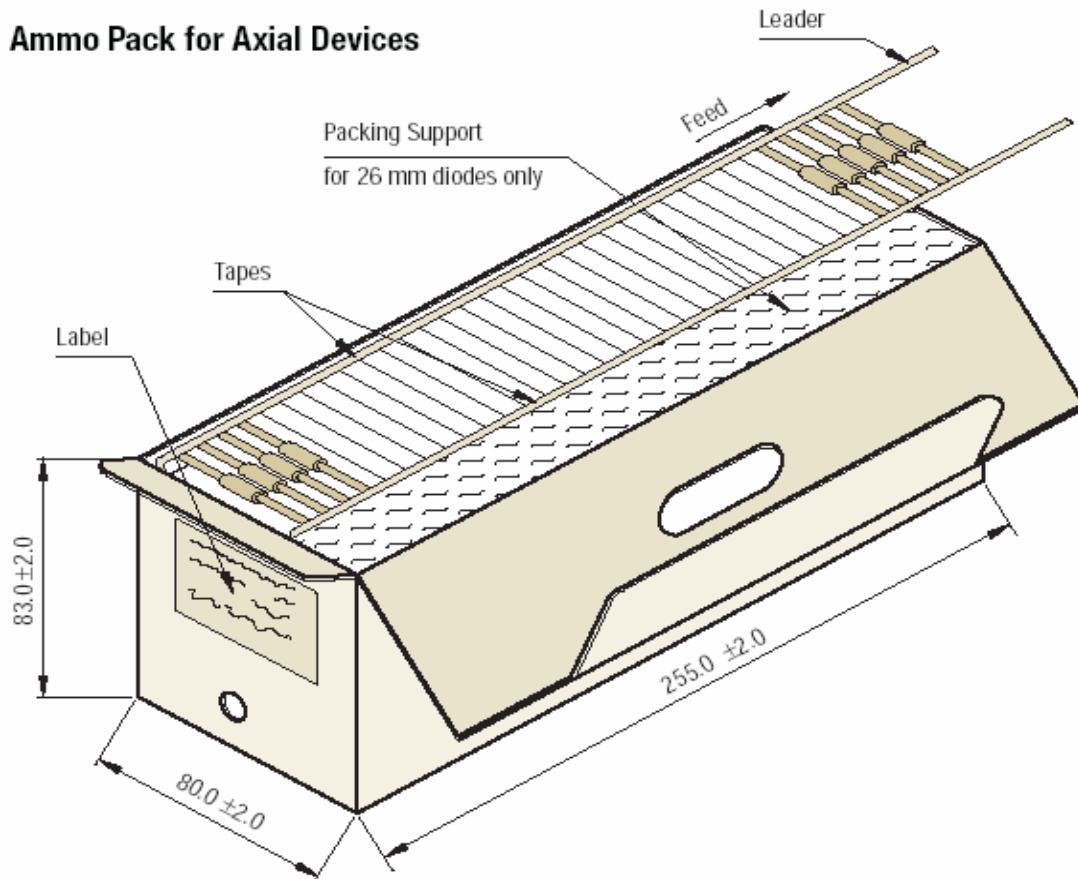
DIM	Min	Max
A	25.40	
B	4.20	5.20
C	0.55	0.65
D	2.30	2.70

All Dimensions are in mm

**A-405
Axial Lead Plastic
Package**

AMMO PACKING FOR A-405

Ammo Pack for Axial Devices



All Dimensions are in mm

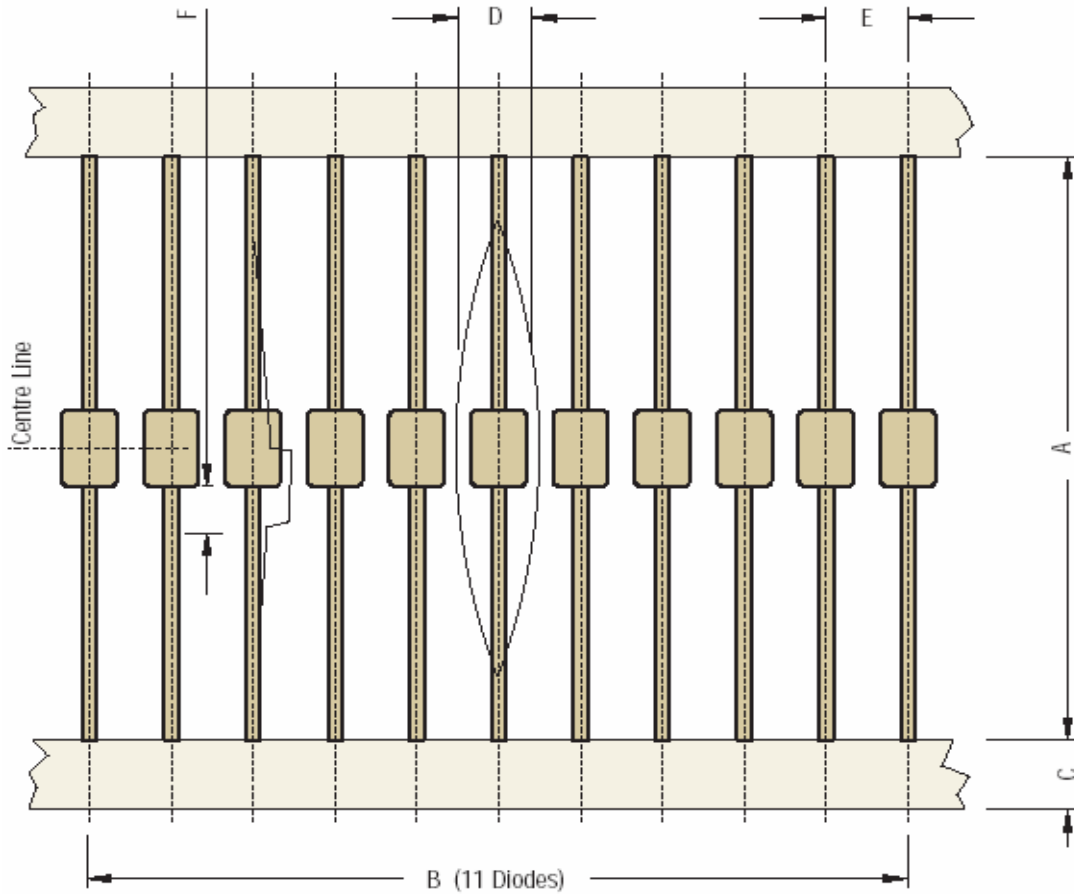
Packaging Information

Package/ Case Type	Packaging Type	Std. Packing	Inner Carton			Outer Carton	
		Qty	Qty	Size L x W x H (cm)	Gross Weight (Kg)	Qty	Size L x W x H (cm)
A-405	T&A	5,000	5K	27 x 8 x 14	1.96	45K	46 x 35 x 25

T & A: Tape and Ammo Pack
1N4001_07Rev020606D

A-405
Axial Lead Plastic
Package

AXIAL TAPE FOR A-405



A-405 52 mm Tape		
DIM	Min	Max
A	50.0	54.0
B	95.0	105.0
C	5.60	6.50
D		1.5R
E	9.50	10.50
F		1.25

All Dimensions are in mm

TAPE SPECIFICATIONS

1. 300 mm (Min) leader tape on every roll.
2. No. of empty places allowed 0.25% without consecutive empty places.
3. Ends of leads shall normally not protrude beyond the tapes.
4. Components shall be held sufficiently in the tape or tapes so that they can not come free in normal handling.

1N4001_07Rev020606D

Component Disposal Instructions

1. CDIL Semiconductor Devices are RoHS compliant, customers are requested to please dispose as per prevailing Environmental Legislation of their Country.
2. In Europe, please dispose as per EU Directive 2002/96/EC on Waste Electrical and Electronic Equipment (WEEE).

Customer Notes

Disclaimer

The product information and the selection guides facilitate selection of the CDIL's Semiconductor Device(s) best suited for application in your product(s) as per your requirement. It is recommended that you completely review our Data Sheet(s) so as to confirm that the Device(s) meet functionality parameters for your application. The information furnished in the Data Sheet and on the CDIL Web Site/CD are believed to be accurate and reliable. CDIL however, does not assume responsibility for inaccuracies or incomplete information. Furthermore, CDIL does not assume liability whatsoever, arising out of the application or use of any CDIL product; neither does it convey any license under its patent rights nor rights of others. These products are not designed for use in life saving/support appliances or systems. CDIL customers selling these products (either as individual Semiconductor Devices or incorporated in their end products), in any life saving/support appliances or systems or applications do so at their own risk and CDIL will not be responsible for any damages resulting from such sale(s). CDIL strives for continuous improvement and reserves the right to change the specifications of its products without prior notice.



CDIL is a registered Trademark of
Continental Device India Limited

C-120 Naraina Industrial Area, New Delhi 110 028, India.

Telephone + 91-11-2579 6150, 4141 1112 Fax + 91-11-2579 5290, 4141 1119

email@cdil.com www.cdilsemi.com

1N4001_07Rev020606D