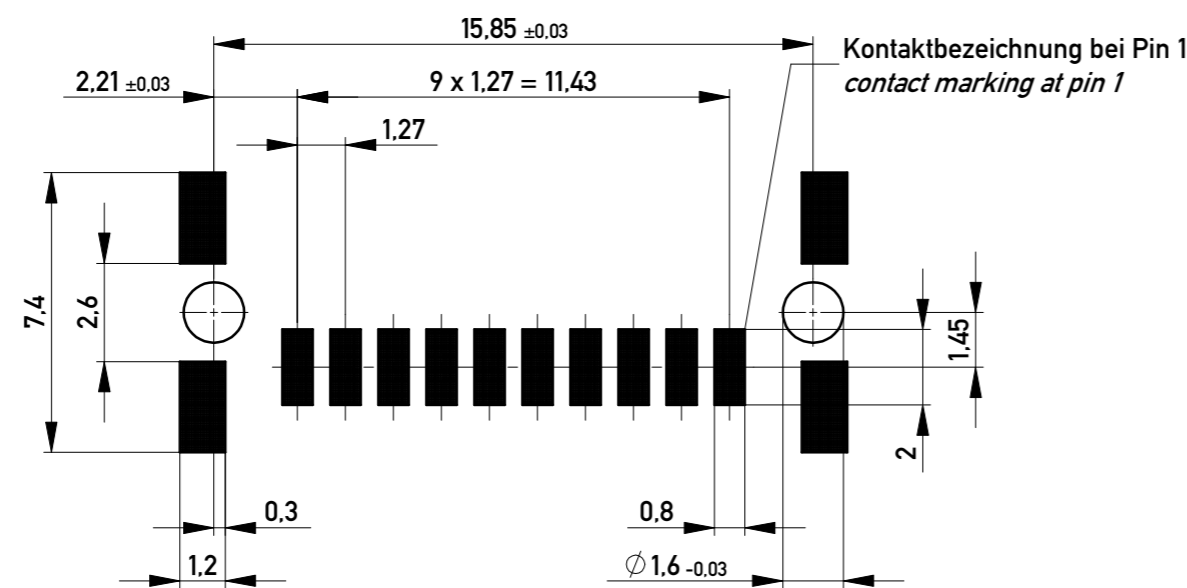
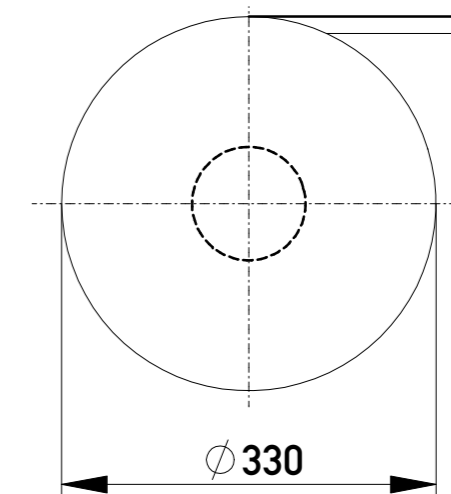


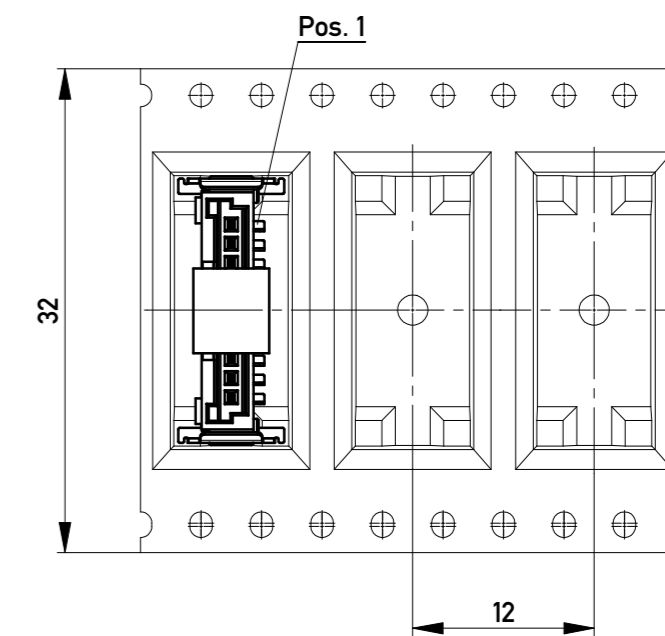
Leiterplatten-Layout für SMT
PCB-Layout for SMT



Verpackt im Gurt in Anlehnung an DIN IEC 60286-3
Tape on Reel Packaging according to DIN IEC 60286-3
Verpackungseinheit: 650 Stück
Packaging unit: 650 pcs



Abspulrichtung - Reel off Direction



- Anforderungsstufe 1
Performance Level 1
- Kontaktbereich vergoldet
Mating Area gold plating
- Anschlussbereich verzinkt 4-6 μm
Terminal Area 4-6 μm tin plating
- Koplanarität der Anschlüsse ≤ 0.1 mm
Coplanarity Area of Termination ≤ 0.1 mm

Für die Anforderung nach PG 9 der LV214
(Koshiri-Sicherheit)
For the requirement of the LV214 PG 9
(Koshiri-security)

Information:	Tolerances	 All Dimensions in mm	Scale	5:1
			Designation	M 1,27 SRC P, 10-polig KS M 1,27 SRC P, 10-pin KS
All rights reserved. Only for Information. To ensure that this is the latest version of this drawing, please contact one of the ERNI companies before using.	Subject to modification without prior notice. Drawing will not be updated.	 www.ERNI.com	101404480001	
b	25.02.2016		Class	SRCP
Index	Date			

Copyright by ERNI Production GmbH & Co. KG
Proprietary notice pursuant to ISO 16949 to be observed.

K
A2