

PLEASE CHECK WWW.MOLEX.COM FOR LATEST PART INFORMATION

Part Number: **0782341003**
Status: **Active**
Overview: GbX I-Trac™ Backplane Connector System
Description: GbX I-Trac™ Right Angle Header with Left Hold Down, Power Module, 2 Blades, 80 Amps, Lead-Free

Documents:

3D Model	Application Specification AS-78231-007-001 (PDF)
Drawing (PDF)	Packaging Specification PK-78234-001 (PDF)
Product Specification PS-78231-006-001 (PDF)	RoHS Certificate of Compliance (PDF)

Agency Certification

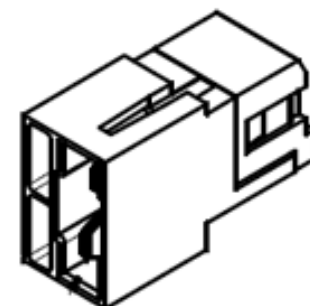
CSA	LR19980
UL	E29179

General

Product Family	Backplane Connectors
Series	78234
Application	Daughtercard
Component Type	Power Header
Overview	GbX I-Trac™ Backplane Connector System
Product Name	GbX I-Trac™
UPC	883906030094

Physical

Circuits (Loaded)	2
Circuits (maximum)	2
Circuits Detail	80 Amps (40/Split Blade). Power Module 1: Blade Length P1, 6.77mm; P2, 9.77mm
Color - Resin	Black
Durability (mating cycles max)	100
First Mate / Last Break	Yes
Flammability	94V-0
Guide to Mating Part	No
Keying to Mating Part	None
Material - Metal	High Performance Alloy (HPA)
Material - Plating Mating	Gold
Material - Plating Termination	Tin
Material - Resin	High Temperature Thermoplastic
Net Weight	10.495/g
Number of Columns	1
Number of Pairs	6
Number of Rows	2
Orientation	Right Angle
PC Tail Length	2.41mm
PCB Locator	Yes
PCB Retention	Yes
PCB Thickness - Recommended	1.60mm
Packaging Type	Tray
Pitch - Mating Interface	2.00mm, 7.40mm
Pitch - Termination Interface	2.00mm, 7.40mm
Plating min - Mating	0.762µm
Plating min - Termination	2.540µm
Polarized to PCB	Yes
Stackable	No
Surface Mount Compatible (SMC)	Yes
Temperature Range - Operating	-20°C to +85°C



Series image - Reference only

EU ELV

Not Relevant

EU RoHS

Compliant

REACH SVHC

Not Contained Per
-ED/01/2017 (12
January 2017)

Halogen-Free

Status

Low-Halogen

Need more information on product environmental compliance?

Email productcompliance@molex.com
Please visit the [Contact Us](#) section for any non-product compliance questions.

China ROHS

ELV

RoHS Phthalates

China RoHS

Green Image

Not Relevant

Not Contained

Search Parts in this Series

78234 Series

Mates With

78232 GbX I-Trac™ Vertical Receptacle, Power Module, 78235 GbX I-Trac™ Power Right Angle Receptacle

Use With

75710 GbX I-Trac™ Right Angle, 11 Row Receptacle Module

Application Tooling | FAQ

Tooling specifications and manuals are found by selecting the products below. Crimp Height Specifications are then contained in the Application Tooling Specification document.

Global

Description

Product #

Termination Interface: Style

Through Hole - Compliant Pin

Press-in Tool for [0622018628](#)
Right Angle Power
Receptacle and
Header for 11-Row

Electrical

Current - Maximum per Contact

80.0A

Data Rate

12.0 Gbps

Shield Type

N/A

Shielded

No

Voltage - Maximum

250V DC

Solder Process Data

Lead-free Process Capability

N/A

Material Info

Reference - Drawing Numbers

Application Specification

AS-78231-007-001

Packaging Specification

PK-78234-001

Product Specification

PS-78231-006-001

Sales Drawing

SD-78234-003

This document was generated on 03/01/2017

PLEASE CHECK WWW.MOLEX.COM FOR LATEST PART INFORMATION