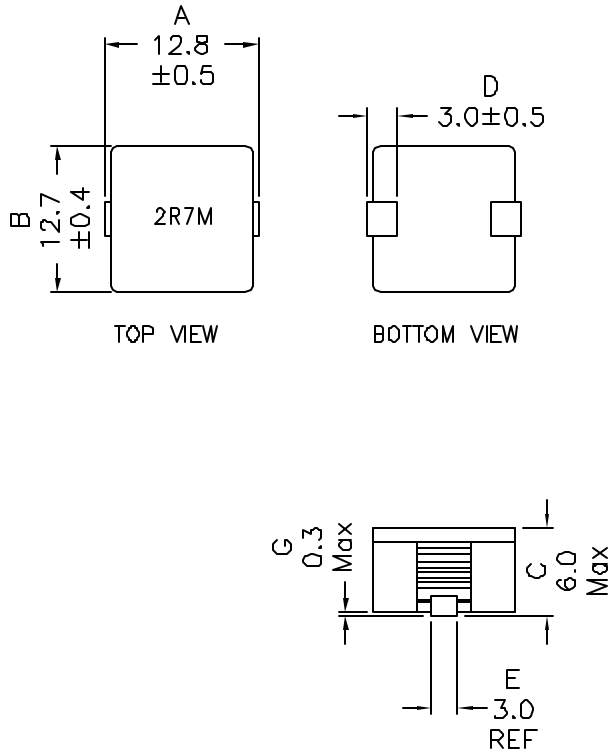
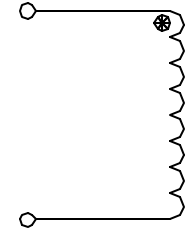


1. Mechanical Dimensions:



2. Schematic:



3. Electrical Specifications: @25°C

OCL: $2.7\mu\text{H} \pm 20\%$ @100KHz 0.1V, 0Adc

I_{rms}: 11.5A (Based on 40°C Temp Rise)

I_{sat}: 14.4A (Based on 50% drop in OCL)

Q: TBD Min @100KHz 0.1V

DCR: 5.4 mOhms Max

PRELIMINARY

Notes:

1. Solderability: Leads shall meet MIL-STD-202G, Method 208H for solderability.
2. Flammability: UL94V-0
3. ASTM oxygen index: > 28%
4. Insulation System: Class F 155°C, UL file E151556
5. Operating Temperature Range: All listed parameters are to be within tolerance from -40°C to +85°C
6. Storage Temperature Range: -55°C to +125°C
7. Aqueous wash compatible
8. SMD Lead Coplanarity: ± 0.004 "(0.102mm)
9. Electrical and mechanical specifications 100% tested
10. RoHS Compliant Component

DOC REV: A/1

PROPRIETARY Document is the property of XFMRs Group & is not allowed to be duplicated without authorization.

XFMRs Inc www.XFMRs.com	Title: XFHCL4FC SERIES INDUCTOR		
	UNLESS OTHERWISE SPECIFIED TOLERANCES: .xx ± 0.25 Dimensions in MM		P/N: XFHCL4FC-2R7M REV. A
SHEET 1 OF 1	DWN. CHK. APP.	Juan Mao YK Liao BW	Jul-17-08 Jul-17-08 Jul-17-08