

1

2

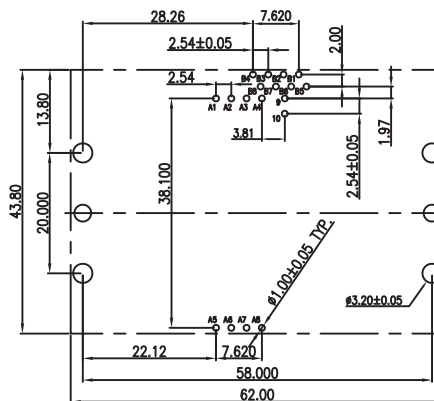
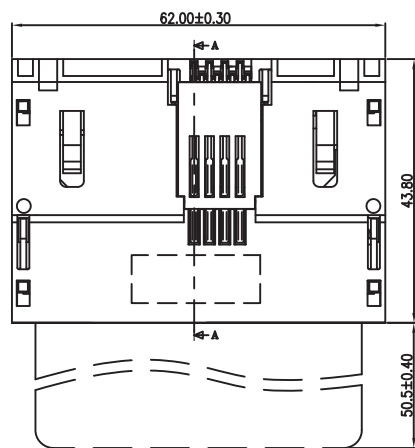
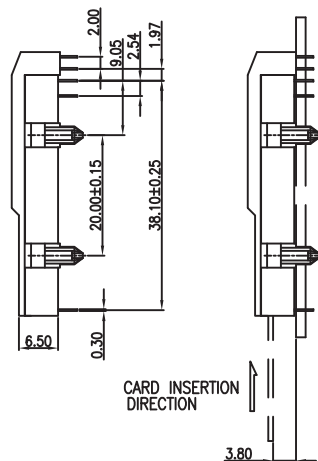
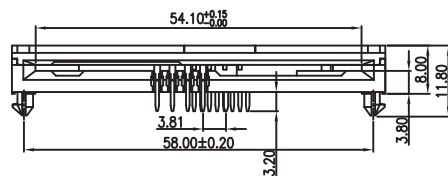
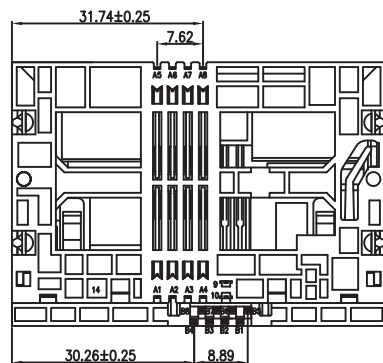
3

4

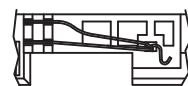
5



A-A



RECOMMENDED PCB LAYOUT



CLOSE SWITCH CONTACT TYPE

TECHNICAL CHARACTERISTICS

MATERIAL
 INSULATOR: PBT
 FLAMABILITY RATING: UL94-V0
 COLOR: BLACK
 CONTACT MATERIAL: COPPER ALLOY
 CONTACT TYPE: STAMPED
 CONTACT PLATING: SELECTIVE GOLD
 LATCH: STAINLESS STEEL
 QUALITY CLASS: 20000 MATING CYCLES

ENVIRONMENTAL
 OPERATING TEMPERATURE: -40 UP TO 85°C
 COMPLIANCE: LEAD FREE AND ROHS

ELECTRICAL
 CURRENT RATING: 1A
 WORKING VOLTAGE: 50VDC
 INSULATOR RESISTANCE: >1000 MOHM
 DIELECTRIC WITHSTANDING VOLTAGE:
 750VAC FOR DATA CONTACTS
 250VAC FOR SWITCH CONTACTS
 CONTACT RESISTANCE: 100 mOHM MAX

SOLDERING
 JEDEC LEAD FREE WAVE SOLDERING PROCESS

PACKAGING
 TRAY

PIN ASSIGNMENT:

Contact No.	Assignment	Description
A1 & B1	Vcc	Power Voltage
A2 & B2	RST	Reset Signal
A3 & B3	CLK	Clocking Signal
A4 & B4	***	Reserved for feature use
9	CD1	Switch contact 1 of card detector
10	CD2	Switch contact 2 of card detector
A5 & B5	GND	Power and Signal Ground
A6 & B6	Vpp	Programming Voltage
A7 & B7	I/O	Serial Data input/output
A8 & B8	***	Reserved for feature use

RoHS Compliant

PROJECTION:



GENERAL TOLERANCE

.X = +/- 0.2

.XX = +/- 0.15



APPROVAL: NPr

UNIT: MM

DESCRIPTION: WR-CRD Smart Card_Dual Way Header

SIZE

05-AUG-15

CONTACT No.

AK

SCALE:

WERI PART NO: 693 030 021 610

A4

21-JAN-13

REF MOD P2

QL

08-JUL-12

PDF

GG

REV DATE FILE BY

DRAW: VICKY

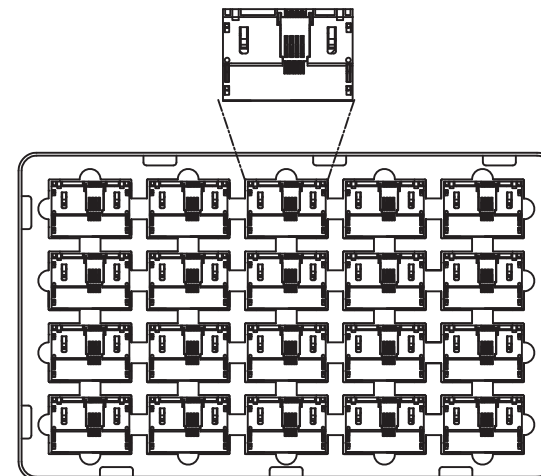
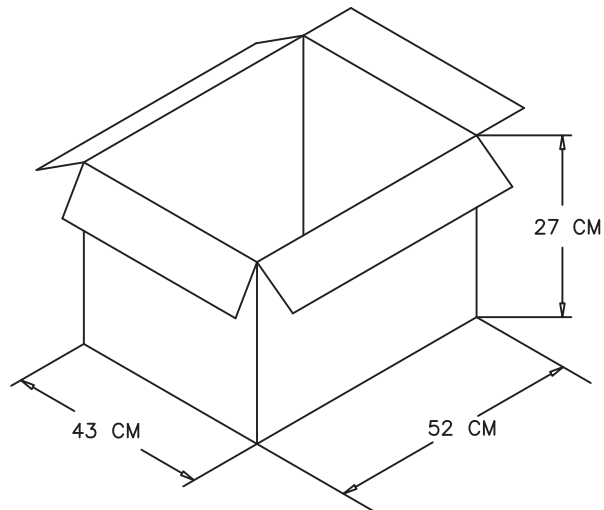
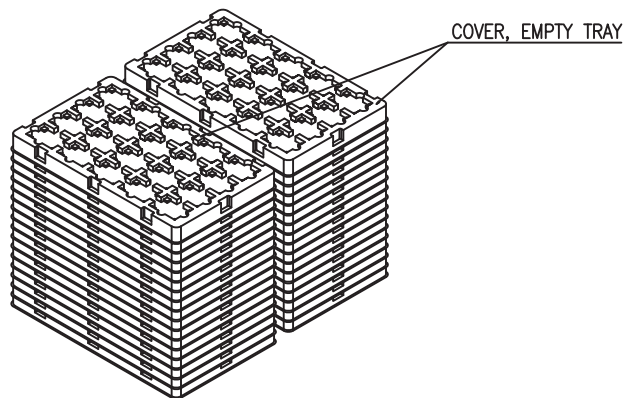
1

2

3

4

5



TY PART NO.	524XX-XXXXXX0X
DESCRIPTION	SMART CARD
PCS/TRAY	20
TRAY/BOX	36+2
TOTAL (PCS)	720
CTN SIZE	52X43X27 CM
TRAY MATERIAL	PS, WHITE
NW	9.95 KG
GW	13 KG

RoHS Compliant

PROJECTION:



GENERAL TOLERANCE

.X = +/- 0.2

.XX = +/- 0.15



APPROVAL: NPr

UNIT: MM

SCALE:

SHEET: 2/3

DRAW: VICKY

DESCRIPTION: WR-CRD Smart Card_Dual Way Header

WERI PART NO: 693 030 021 610

SIZE

A4

REV	DATE	FILE	BY

1

2

3

4

5

Cautions and Warnings:

This electronic component is designed and developed with the intention for use in general electronics equipments.

Before incorporating the components into any equipments in the field such as aerospace, aviation, nuclear control, submarine, transportation, (automotive control, train control, ship control), transportation signal, disaster prevention, medical, public information network etc. where higher safety and reliability are especially required or if there is possibility of direct damage or injury to human body, Würth Elektronik must be asked for a written approval.

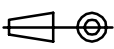

In addition, even electronic component in general electronic equipments, when used in electrical circuits that require high safety, reliability functions or performance, the sufficient reliability evaluation-check for the safety must be performed before by the user before usage.

A

B

C

RoHS Compliant

G				PROJECTION: 	GENERAL TOLERANCE .X = +/- 0.2 .XX = +/- 0.15		
F							
E							
D							
C				APPROVAL: JC	UNIT: MM	DESCRIPTION: DISCLAIMER	SIZE A4
B					SCALE:		
A	10-SEP-14	PDF	QL		SHEET: 3/3	WERI PART NO: DISCLAIMER	
REV	DATE	FILE	BY		DRAW: QL		

D