

TO-92 Plastic-Encapsulate Transistors

2SC1318A TRANSISTOR (NPN)

FEATURES

- Collector Output Capacitance :

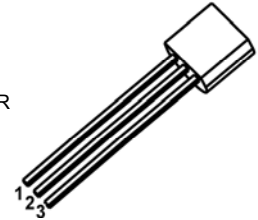
$C_{ob}=11$ pF (TYP), 20 pF (MAX)

MAXIMUM RATINGS ($T_a=25$ °C unless otherwise note)

Symbol	Parameter	Value	Unit
V_{CBO}	Collector-Base Voltage	80	V
V_{CEO}	Collector-Emitter Voltage	70	V
V_{EBO}	Emitter-Base Voltage	5	V
I_C	Collector Current -Continuous	500	mA
P_C	Collector Power Dissipation	750	mW
T_j	Junction Temperature	150	°C
T_{stg}	Storage Temperature	-55-150	°C

TO-92

1. EMITTER
2. COLLECTOR
3. BASE



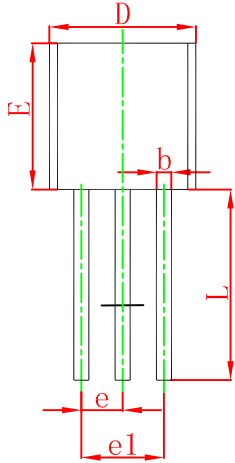
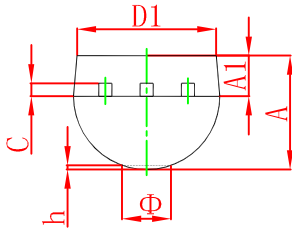
ELECTRICAL CHARACTERISTICS ($T_a=25$ °C unless otherwise specified)

Parameter	Symbol	Test conditions	MIN	TYP	MAX	UNIT
Collector-base breakdown voltage	$V_{(BR)CBO}$	$I_C = 10\mu A, I_E = 0$	80			V
Collector-emitter breakdown voltage	$V_{(BR)CEO}$	$I_C = 2mA, I_B = 0$	70			V
Emitter-base breakdown voltage	$V_{(BR)EBO}$	$I_E = 10\mu A, I_C = 0$	5			V
Collector cut-off current	I_{CBO}	$V_{CB} = 20V, I_E = 0$			0.1	μA
DC current gain	$h_{FE(1)}$	$V_{CE} = 10V, I_C = 150mA$	85		340	
	$h_{FE(2)}$	$V_{CE} = 10V, I_C = 500mA$	40			
Collector-emitter saturation voltage	$V_{CE(sat)}$	$I_C = 300mA, I_B = 30mA$			0.6	V
Base-emitter saturation voltage	$V_{BE(sat)}$	$I_C = 300mA, I_B = 30mA$			1.5	V
Transition frequency	f_T	$V_{CE} = 10V, I_C = 50mA, f = 200MHz$		120		MHz
Collector output capacitance	C_{ob}	$V_{CB} = 10V, I_E = 0, f = 1MHz$		11	20	pF

CLASSIFICATION OF $h_{FE(1)}$

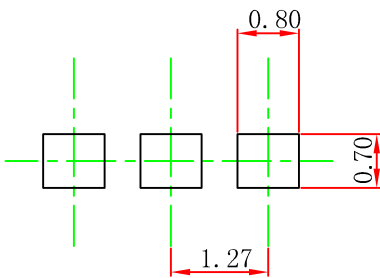
Rank	Q	R	S
Range	85-170	120-240	170-340

TO-92 Package Outline Dimensions



Symbol	Dimensions In Millimeters		Dimensions In Inches	
	Min	Max	Min	Max
A	3.300	3.700	0.130	0.146
A1	1.100	1.400	0.043	0.055
b	0.380	0.550	0.015	0.022
c	0.360	0.510	0.014	0.020
D	4.300	4.700	0.169	0.185
D1	3.430		0.135	
E	4.300	4.700	0.169	0.185
e	1.270 TYP		0.050 TYP	
e1	2.440	2.640	0.096	0.104
L	14.100	14.500	0.555	0.571
Φ		1.600		0.063
h	0.000	0.380	0.000	0.015

TO-92 Suggested Pad Layout



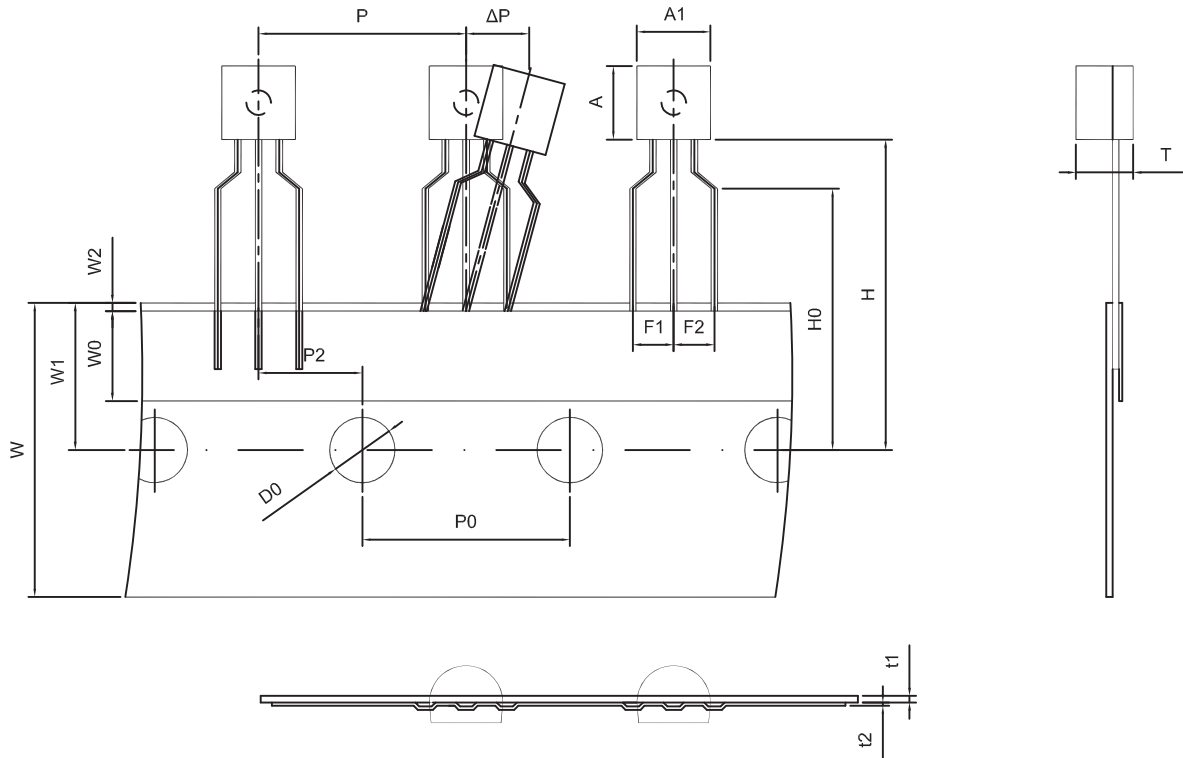
Note:

1. Controlling dimension: in millimeters.
2. General tolerance: $\pm 0.05\text{mm}$.
3. The pad layout is for reference purposes only.

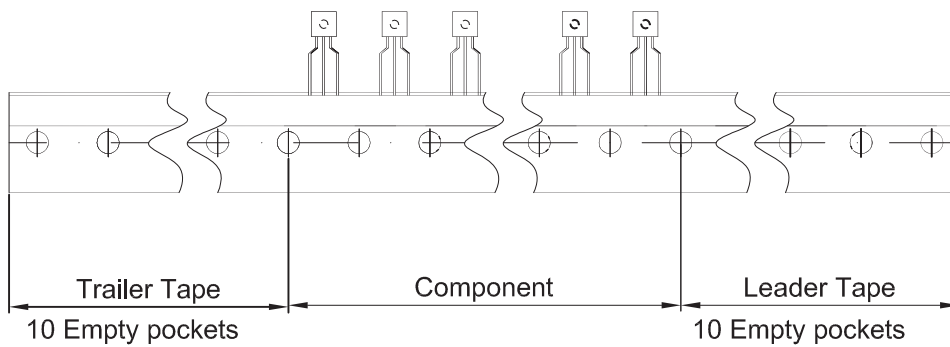
NOTICE

JCET reserve the right to make modifications, enhancements, improvements, corrections or other changes without further notice to any product herein. JCET does not assume any liability arising out of the application or use of any product described herein.

TO-92 PACKAGE TAPEING DIMENSION



Dimiensions are in millimeter								
A1	A	T	P	P0	P2	F1	F2	W
4.5	4.5	3.5	12.7	12.7	6.35	2.5	2.5	18.0
W0	W1	W2	H	H0	D0	t1	t2	ΔP
6.0	9.0	1.0 MAX.	19.0	16.0	4.0	0.4	0.2	0



Package	Box	Box Size(mm)	Carton	Carton Size(mm)
TO-92	2000 pcs	333×162×43	20,000 pcs	350×340×250