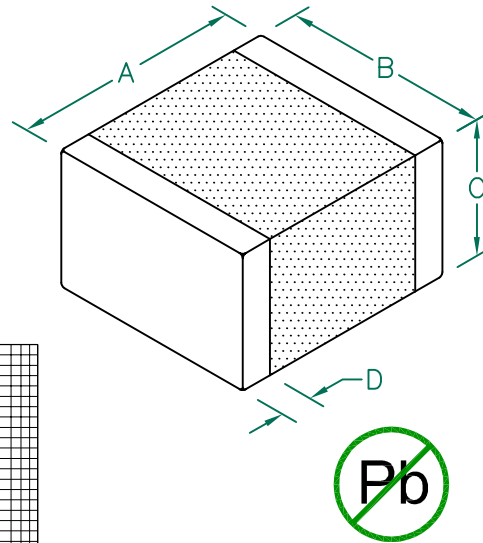


# HR2220P601R-10

**UNCONTROLLED DOCUMENT**

PHYSICAL DIMENSIONS:

A	5.59 [.220]	+ 0.51 [.020]
B	5.08 [.200]	+ 0.25 [.010]
C	3.05 [.120]	+ 0.25 [.010]
D	0.76 [.030]	+ 0.25 [.010]

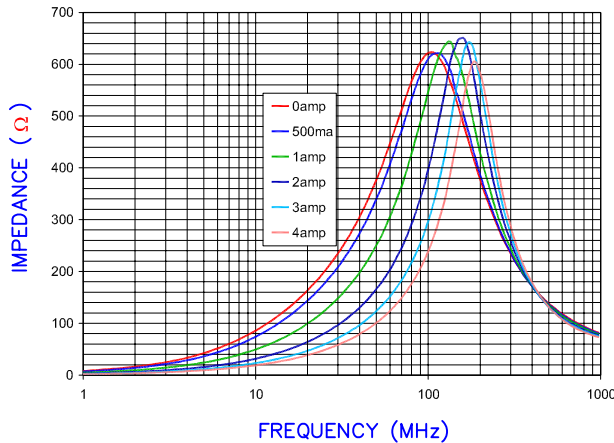


ELECTRICAL CHARACTERISTICS:

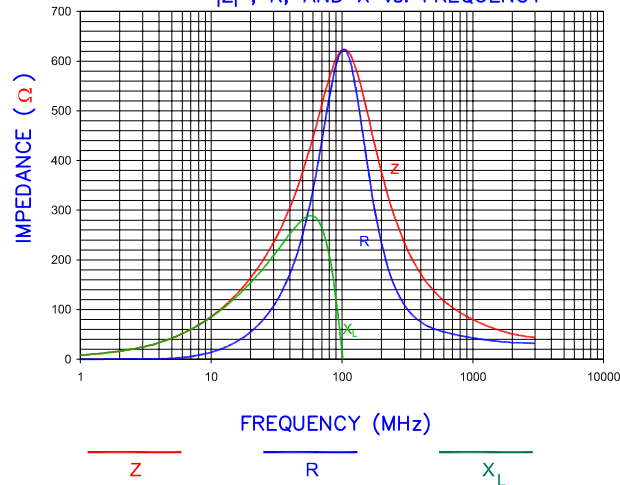
Z @ 100MHz ( $\Omega$ )		DCR ( $\Omega$ )	Rated Current
Nominal	600		
Minimum	450		
Maximum	750	0.025	4000 mA

- NOTES: UNLESS OTHERWISE SPECIFIED
1. TAPED AND REELED per CURRENT EIA SPECIFICATIONS 13" REELS, 2,000 PCS/REEL.
  2. U.S. PATENTS 5,821,846, 6,107,907, AND 6,249,205B1 SHOULD APPEAR ON THE LABEL OF EACH REEL OF PACKAGED PARTS.
  3. TERMINATION FINISH IS 100% TIN.
  4. COMPONENTS SHOULD BE ADEQUATELY PREHEATED BEFORE SOLDERING.
  5. OPERATING TEMPERATURE TEMP:  $-40^{\circ}\text{C} \sim +125^{\circ}\text{C}$  (INCLUDING SELF-HEATING)

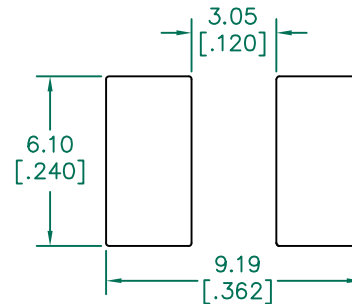
Z vs FREQUENCY  
IMPEDANCE UNDER DC BIAS



|Z|, R, AND X vs. FREQUENCY

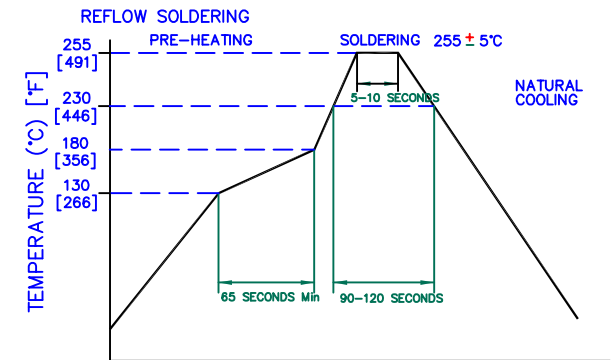


LAND PATTERNS FOR REFLOW SOLDERING



(For wave soldering, add 0.762 [.030] to this dimension.)

RECOMMENDED SOLDERING CONDITIONS



DIMENSIONS ARE IN mm [INCHES].

This print is the property of Laird Tech. and is loaned in confidence subject to return upon request and with the understanding that no copies shall be made without the written consent of Laird Tech. All rights to design or invention are reserved.



C		ADD OPERATING TEMPERATURE UPDATE LAIRD LOGO AND REFLOW CURVE	08/05/13	QU	PROJECT/PART NUMBER: HR2220P601R-10	REV C	PART TYPE: CO-FIRE	DRAWN BY: QU
B		UPDATE COMPANY LOGO ADD ROHS	02/14/08	JRK	DATE: 08/05/13	SCALE: NTS	SHEET: 2 of 2	
A		ORIGINAL DRAFT	04/03/04	TMB	CAD #	TOOL # -		
REV	DESCRIPTION		DATE	INT	HR2220P601R-10-C			