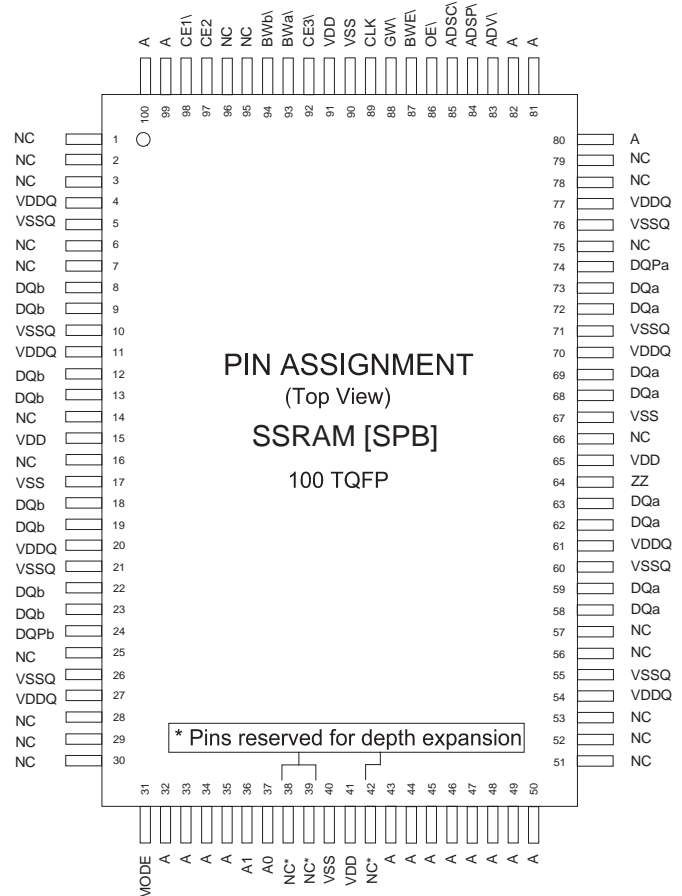


## Plastic Encapsulated Microcircuit 9Mb, 512K x 18, Synchronous SRAM Pipeline Burst, Single Cycle Deselect

### FEATURES

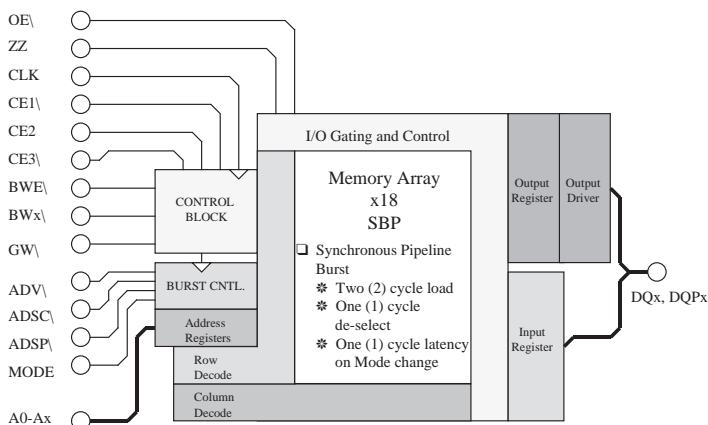
- Synchronous Operation in relation to the input Clock
- 2 Stage Registers resulting in Pipeline operation
- On chip address counter for Burst operations
- Self-Timed Write Cycles
- On-Chip Address and Control Registers
- Byte Write support
- Global Write support
- On-Chip low power mode [powerdown] via ZZ pin
- Interleaved or Linear Burst support via Mode pin
- Three Chip Enables for ease of depth expansion without Data Contention.
- Two Cycle load, Single Cycle Deselect
- Asynchronous Output Enable (OE\)
- Three Pin Burst Control (ADSP\, ADSC\, ADV\)
- 3.3V Core Power Supply
- 3.3V/2.5V IO Power Supply
- JEDEC Standard 100 pin TQFP Package
- Available in **Industrial** (-40°C to +85°C), **Enhanced** (-40°C to +105°C), and **Mil-Temperature** (-55°C to +125°C) Operating Ranges
- RoHS compliant options



### FAST ACCESS TIMES

Parameter	Symbol	200Mhz	166Mhz	133Mhz	Units
Cycle Time	tCYC	5.0	6.0	7.5	ns
Clock Access Time	tCD	3.0	3.5	4.0	ns
Output Enable Access	tOE	3.0	3.5	4.0	ns

### BLOCK DIAGRAM



### GENERAL DESCRIPTION

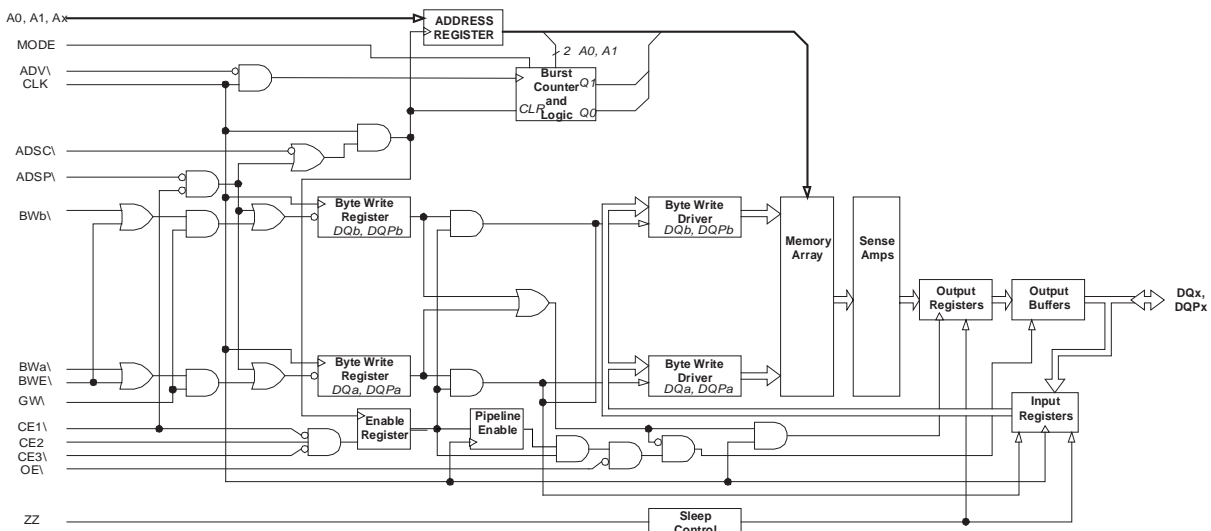
Micross Components AS5SP512K18 is a 9.0Mb High Performance Synchronous Pipeline Burst SRAM, available in multiple temperature screening levels, fabricated using High Performance CMOS technology and is organized as a 512K x 18. It integrates address and control registers, a two (2) bit burst address counter supporting four (4) double-word transfers. Writes are internally self-timed and synchronous to the rising edge of clock.

The AS5SP512K18 includes advanced control options including Global Write, Byte Write as well as an Asynchronous Output enable. Burst Cycle controls are handled by three (3) input pins, ADV\, ADSP\ and ADSC\. Burst operation can be initiated with either the Address Status Processor (ADSP\) or Address Status Cache controller (ADSC\) inputs. Subsequent burst addresses are generated internally in the system's burst sequence control block and are controlled by Address Advance (ADV\) control input.

## PIN DESCRIPTION/ASSIGNMENT TABLE

Signal Name	Symbol	Type	Pin	Description
Clock	CLK	Input	89	This input registers the address, data, enables, Global and Byte writes as well as the burst control functions
Address	A0, A1	Input	37, 36	Low order, Synchronous Address Inputs and Burst counter address inputs
Address	A	Input(s)	35, 34, 33, 32, 31, 100, 99, 82, 81, 44, 45, 46, 47, 48, 49, 50, 43, 83	Synchronous Address Inputs
Chip Enable	CE1\, CE3\	Input	98, 92	Active Low True Chip Enables
Chip Enable	CE2	Input	97	Active High True Chip Enable
Global Write Enable	GW\	Input	88	Active Low True Global Write enable. Write to all bits
Byte Enables	BWa\, BWb\	Input	93, 94	Active Low True Byte Write enables. Write to byte segments
Byte Write Enable	BWE\	Input	87	Active Low True Byte Write Function enable
Output Enable	OE\	Input	86	Active Low True Asynchronous Output enable
Address Strobe Controller	ADSC\	Input	85	Address Strobe from Controller. When asserted LOW, Address is captured in the address registers and A0-A1 are loaded into the Burst When ADSP\ and ADSC are both asserted, only ADSP is recognized
Address Strobe from Processor	ADSP\	Input	84	Synchronous Address Strobe from Processor. When asserted LOW, Address is captured in the Address registers, A0-A1 is registered in the burst counter. When both ADSP\ and ADSC\ or both asserted, only ADSP\ is recognized. ADSP\ is ignored when CE1\ is HIGH
Address Advance	ADV\	Input	83	Advance input Address. When asserted HIGH, address in burst counter is incremented.
Power-Down	ZZ	Input	64	Asynchronous, non-time critical Power-down Input control. Places the chip into an ultra low power mode, with data preserved.
Data Parity Input/Outputs	DQP <sub>a</sub> , DQP <sub>b</sub>	Input/Output	74, 24	Bidirectional I/O Parity lines. As inputs they reach the memory array via an input register, the address stored in the register on the rising edge of clock. As outputs, the line delivers the valid data stored in the array via an output register and output driver. The data delivered is from the previous clock period of the READ cycle.
Data Input/Outputs	DQ <sub>a</sub> , DQ <sub>b</sub>	Input/Output	58, 59, 62, 63, 68, 69, 72, 73, 8, 9, 12, 13, 18, 19, 22, 23	Bidirectional I/O Data lines. As inputs they reach the memory array via an input register, the address stored in the register on the rising edge of clock. As outputs, the line delivers the valid data stored in the array via an output register and output driver. The data delivered is from the previous clock period of the READ cycle.
Burst Mode	MODE	Input	31	Interleaved or Linear Burst mode control
Power Supply [Core]	VDD	Supply	91, 15, 41, 65	Core Power Supply
Ground [Core]	VSS	Supply	90, 17, 40, 67	Core Power Supply Ground
Power Supply I/O	VDDQ	Supply	4, 11, 20, 27, 54, 61, 70, 77	Isolated Input/Output Buffer Supply
I/O Ground	VSSQ	Supply	5, 10, 21, 26, 55, 60, 71, 76	Isolated Input/Output Buffer Ground
No Connection(s)	NC	NA	1, 2, 3, 6, 7, 14, 16, 25, 28, 29, 30, 38, 39, 42, 51, 52, 53, 56, 57, 66, 75, 78, 79, 95, 96	No connections to internal silicon

## LOGIC BLOCK DIAGRAM



## FUNCTIONAL DESCRIPTION

Micross Components's AS5SP512K18 Synchronous SRAM is manufactured to support today's High Performance platforms utilizing the Industries leading Processor elements including those of Intel and Motorola. The AS5SP512K18 supports Synchronous SRAM READ and WRITE operations as well as Synchronous Burst READ/WRITE operations. All inputs with the exception of OE\, MODE and ZZ are synchronous in nature and sampled and registered on the rising edge of the devices input clock (CLK). The type, start and the duration of Burst Mode operations is controlled by MODE, ADSC\, ADSP\ and ADV\ as well as the Chip Enable pins CE1\, CE2, and CE3\. All synchronous accesses including the Burst accesses are enabled via the use of the multiple enable pins and wait state insertion is supported and controlled via the use of the Advance control (ADV\).

The AS5SP512K18 supports both Interleaved as well as Linear Burst modes therefore making it an architectural fit for either the Intel or Motorola CISC processor elements available on the Market today.

The AS5SP512K18 supports Byte WRITE operations and enters this functional mode with the Byte Write Enable (BWE\) and the Byte Write Select pin(s) (BWA\ and BWb\). Global Writes are supported via the Global Write Enable (GW\) and Global Write Enable will override the Byte Write inputs and will perform a Write to all Data I/Os.

The AS5SP512K18 provides ease of producing very dense arrays via the multiple Chip Enable input pins and Tri-state outputs.

### Single Cycle Access Operations

A Single READ operation is initiated when all of the following conditions are satisfied at the time of Clock (CLK) HIGH: [1] ADSP\ or ADSC\ is asserted LOW, [2] Chip Enables are all asserted active, and [3] the WRITE signals (GW\, BWE\) are in their FALSE state (HIGH). ADSP\ is ignored if CE1\ is HIGH. The address presented to the Address inputs is stored within the Address Registers and Address Counter/Advancement Logic and then passed or presented to the array core. The corresponding data of the addressed location is propagated to the Output Registers and passed to the data bus on the next rising clock via the Output Buffers. The time at which the data is presented to the Data bus is as specified by either the Clock to Data valid specification or the Output Enable to Data Valid spec for the device speed grade chosen.

The only exception occurs when the device is recovering from a deselected to select state where its outputs are tristated in the first machine cycle and controlled by its Output Enable (OE\) on following cycle. Consecutive single cycle READS are supported. Once the READ operation has been completed and deselected by use of the Chip Enable(s) and either ADSP\ or ADSC\, its outputs will tri-state immediately.

A Single ADSP\ controlled WRITE operation is initiated when both of the following conditions are satisfied at the time of Clock (CLK) HIGH: [1] ADSP\ is asserted LOW, and [2] Chip Enable(s) are asserted ACTIVE. The address presented to the address bus is registered and loaded on CLK HIGH, then presented to the core array. The WRITE controls Global Write, and Byte Write Enable (GW\, BWE\) as well as the individual Byte Writes (BWA\ and BWb\) and ADV\ are ignored on the first machine cycle. ADSP\ triggered WRITE accesses require two (2) machine cycles to complete. If Global Write is asserted LOW on the second Clock (CLK) rise, the data presented to the array via the Data bus will be written into the array at the corresponding address location specified by the Address bus. If GW\ is HIGH (inactive) then BWE\ and one or more of the Byte Write controls (BWA\ and BWb\) controls the write operation. All WRITES that are initiated in this device are internally self timed.

A Single ADSC\ controlled WRITE operation is initiated when the following conditions are satisfied: [1] ADSC\ is asserted LOW, [2] ADSP\ is de-asserted (HIGH), [3] Chip Enable(s) are asserted (TRUE or Active), and [4] the appropriate combination of the WRITE inputs (GW\, BWE\, BWx\) are asserted (ACTIVE). Thus completing the WRITE to the desired Byte(s) or the complete data-path. ADSC\ triggered WRITE accesses require a single clock (CLK) machine cycle to complete. The address presented to the input Address bus pins at time of clock HIGH will be the location that the WRITE occurs. The ADV\ pin is ignored during this cycle, and the data WRITTEN to the array will either be a BYTE WRITE or a GLOBAL WRITE depending on the use of the WRITE control functions GW\ and BWE\ as well as the individual BYTE CONTROLS (BWx\).

## DEEP POWER-DOWN MODE (SLEEP)

The AS5SP512K18 has a Deep Power-Down mode and is controlled by the ZZ pin. The ZZ pin is an Asynchronous input and asserting this pin places the SSRAM in a deep power-down mode (SLEEP). While in this mode, Data integrity is guaranteed. For the device to be placed successfully into this operational mode the device must be deselected and the Chip Enables, ADSP\ and ADSC\ remain inactive for the duration of tZZREC after the ZZ input returns LOW. Use of this deep power-down mode conserves power and is very useful in multiple memory page designs where the mode recovery time can be hidden. Accesses pending when entering sleep mode are not considered valid and completion of the operation is not guaranteed.

## SYNCHRONOUS TRUTH TABLES

CE1\	CE2	CE3\	ADSP\	ADSC\	ADV\	WT / RD	CLK	Address Accessed	Operation
H	X	X	X	L	X	X	↑	NA	Not Selected
L	L	X	L	X	X	X	↑	NA	Not Selected
L	X	H	L	X	X	X	↑	NA	Not Selected
L	L	X	H	L	X	X	↑	NA	Not Selected
L	X	H	H	L	X	X	↑	NA	Not Selected
L	H	L	L	X	X	X	↑	External Address	Begin Burst, READ
L	H	L	H	L	X	WT	↑	External Address	Begin Burst, WRITE
L	H	L	H	L	X	RD	↑	External Address	Begin Burst, READ
X	X	X	H	H	L	RD	↑	Next Address	Continue Burst, READ
H	X	X	X	H	L	RD	↑	Next Address	Continue Burst, READ
X	X	X	H	H	L	WT	↑	Next Address	Continue Burst, WRITE
H	X	X	X	H	L	WT	↑	Next Address	Continue Burst, WRITE
X	X	X	H	H	H	RD	↑	Current Address	Suspend Burst, READ
H	X	X	X	H	H	RD	↑	Current Address	Suspend Burst, READ
X	X	X	H	H	H	WT	↑	Current Address	Suspend Burst, WRITE
H	X	X	X	H	H	WT	↑	Current Address	Suspend Burst, WRITE

Notes:  
1. X = Don't Care  
2. WT= WRITE operation in WRITE TABLE, RD= READ operation in WRITE TABLE

## BURST SEQUENCE TABLES

Interleaved Burst									
Burst Control Pin [MODE]	State	Case 1		Case 2		Case 3		Case 4	
		A1	A0	A1	A0	A1	A0	A1	A0
First Address		0	0	0	1	1	0	1	1
↓		0	1	0	0	1	1	1	0
Fourth Address		1	0	1	1	0	0	0	1
		1	1	1	0	0	1	0	0

Linear Burst									
Burst Control Pin [MODE]	State	Case 1		Case 2		Case 3		Case 4	
		A1	A0	A1	A0	A1	A0	A1	A0
First Address		0	0	0	1	1	0	1	1
↓		0	1	1	0	1	1	0	0
Fourth Address		1	0	1	1	0	0	0	1
		1	1	0	0	0	1	1	0

## WRITE TABLE

GW\	BW\	BWa\	BWb\	Operation
H	H	X	X	READ
H	L	H	H	READ
H	L	L	H	WRITE Byte [A]
H	L	H	L	WRITE Byte [B]
H	L	L	L	WRITE ALL Bytes
L	X	X	X	WRITE ALL Bytes

## CAPACITANCE

Parameter	Symbol	Max.	Units
Input Capacitance	CI	6	pF
Input/Output Capacitance	CIO	8	pF
Clock Input Capacitance	CCLK	6	pF

## ASYNCHRONOUS TRUTH TABLE

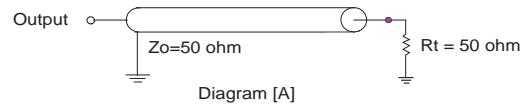
Operation	ZZ	OE\	I/O Status
Power-Down (SLEEP)	H	X	High-Z
READ	L	L	DQ
	L	H	High-Z
WRITE	L	X	Din, High-Z
De-Selected	L	X	High-Z

## ABSOLUTE MAXIMUM RATINGS\*

Parameter	Symbol	Min.	Max.	Units
Voltage on VDD Pin	VDD	-0.3	4.6	V
Voltage on VDDQ Pins	VDDQ	VDD		V
Voltage on Input Pins	VIN	-0.3	VDD+0.3	V
Voltage on I/O Pins	VIO	-0.3	VDDQ+0.3	V
Power Dissipation	PD		1.6	W
Storage Temperature	tSTG	-65	150	°C
Operating Temperatures [Screening Levels]	/IT	-40	85	°C
	/ET	-40	105	°C
	/XT	-55	125	°C

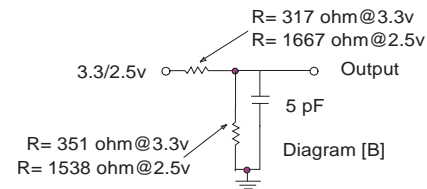
\*Stress greater than those listed under ABSOLUTE MAXIMUM RATINGS may cause permanent damage to the device. This is a stress rating only and functional operation of the device at these or any other conditions greater than those indicated in the operational sections of this specification is not implied. Exposure to absolute maximum conditions for any duration or segment of time may affect device reliability.

## AC TEST LOADS



Vt= Termination Voltage  
Rt= Termination Resistor

Vt= 1.50v for 3.3v VDDQ  
Vt= 1.25v for 2.5v VDDQ



## DC ELECTRICAL CHARACTERISTICS

(VDD=3.3v +10%/-5%, TA= Min. and Max temperatures of Screening level chosen)

Symbol	Parameter	Test Conditions	Min	Max	Units	Notes	
VDD	Power Supply Voltage		3.135	3.63	V	1	
VDDQ	I/O Supply Voltage		2.375	VDD	V	1,5	
VoH	Output High Voltage	VDD=Min., IOH=-4mA	3.3v	2.4	V	1,4	
		VDD=Min., IOH=-1mA	2.5v	2	V	1,4	
VoL	Output Low Voltage	VDD=Min., IOL=8mA	3.3v	0.4	V	1,4	
		VDD=Min., IOL=1mA	2.5v	0.4	V	1,4	
VIH	Input High Voltage		3.3v	2	VDD+0.3	V	1,2
			2.5v	1.7	VDD+0.3	V	1,2
VIL	Input Low Voltage		3.3v	-0.3	0.8	V	1,2
			2.5v	-0.3	0.7	V	1,2
IIL	Input Leakage (except ZZ) & Mode	VDD=Max., VIN=VSS to VDD	-5	5	uA	3	
IZZL	Input Leakage, ZZ pin & Mode		-30	30	uA	3	
IOL	Output Leakage	Output Disabled, VOUT=VSSQ to VDDQ	-5	5	uA		
IDD	Operating Current	VDD=Max., f=Max., IOH=0mA	5.0ns Cycle, 200 Mhz	290	mA		
			6.0ns Cycle, 166 Mhz	270	mA		
			7.5ns Cycle, 133 Mhz	240	mA		
ISB1	Automatic CE. Power-down Current -TTL inputs	Max. VDD, Device De-Selected, VIN>=VIH or VIN<=VIL f=fMAX=1/tCYC	5.0ns Cycle, 200 Mhz	200	mA		
			6.0ns Cycle, 166 Mhz	180	mA		
			7.5ns Cycle, 133 Mhz	160	mA		
ISB2	Automatic CE. Power-down Current - CMOS Inputs	Max. VDD, Device De-Selected, VIN<=0.3v or VIN>=VDDQ-0.3v f=0		130	mA		

## THERMAL RESISTANCE

Parameter	Description	Test Conditions	DQ Package	DQC Package	Unit
Θ JA	Thermal Resistance (Junction to Ambient)	Test conditions follow standard test methods and procedures for measuring thermal impedance, per EIA/JESD51	29.41	30.2	°C/W
Θ JC	Thermal Resistance (Junction to Case)		6.13	6.5	°C/W

### Notes:

- [1] All Voltages referenced to VSS (Logic Ground)
- [2] Overshoot: VIH < +4.6V for t<TKC/2 for I<20mA  
Undershoot: VIL > -0.7V for t<TKC/2 for I<20mA  
Power-up: VIH < +3.6V and VDD < 3.135V for t<200ms
- [3] MODE and ZZ pins have internal pull-up resistors, and input leakage +/- +10uA
- [4] The load used for VOH, VOL testing is shown in Figure-2 for 3.3v and 2.5V supplies.  
AC load current is higher than stated values, AC I/O curves can be made available upon request
- [5] VDDQ should never exceed VDD, VDD and VDDQ can be connected together
- [6] This parameter is measured for initial design only

## AC SWITCHING CHARACTERISTICS

(VDD=3.3v -5%/+10%, TA= Min. and Max temperatures of Screening level chosen)

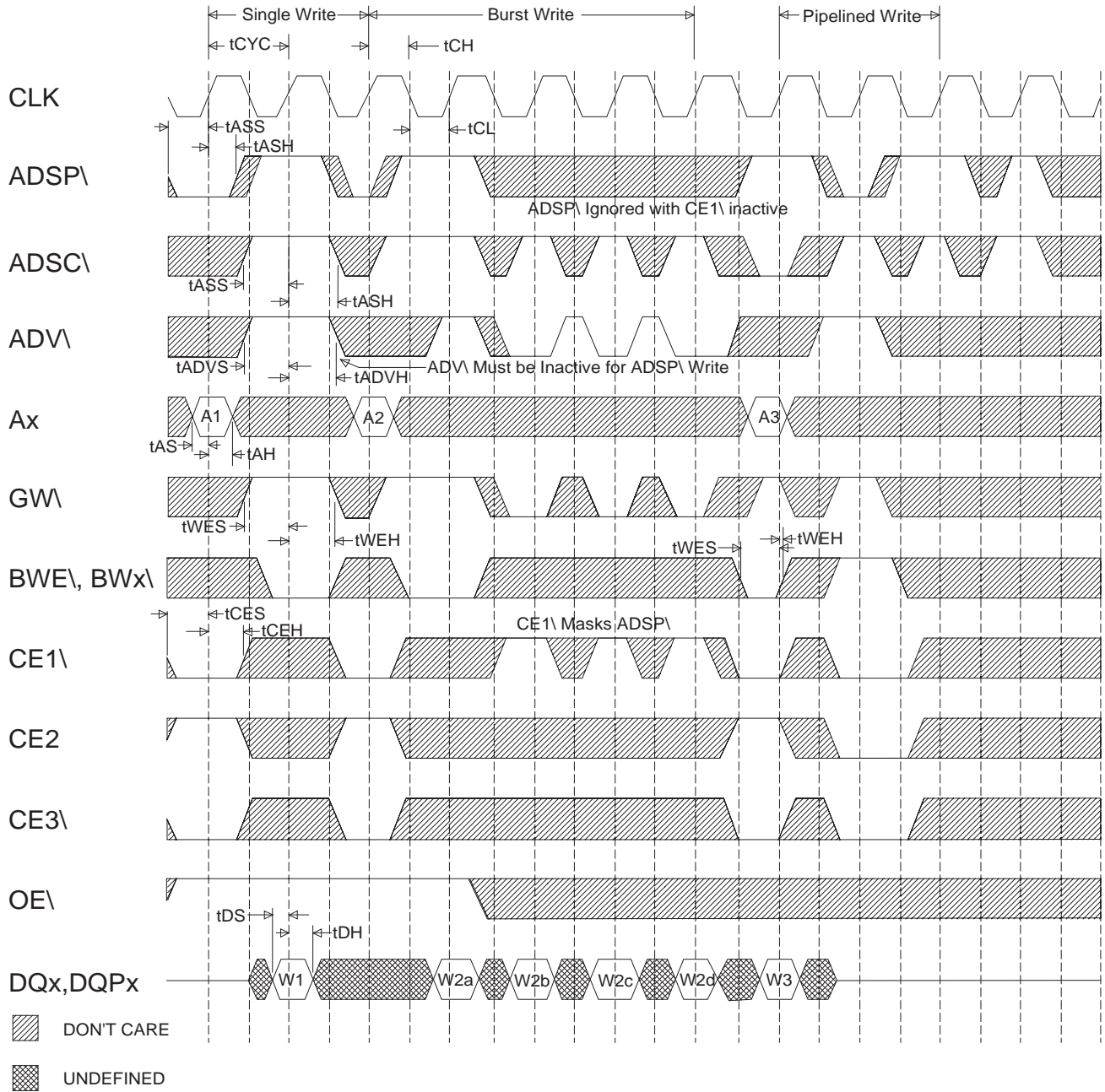
Parameter	Symbol	-30 [200Mhz]		-35 [166Mhz]		-40 [133Mhz]		Units	Notes
		Min.	Max.	Min.	Max.	Min.	Max.		
Clock (CLK) Cycle Time	tCYC	5.00	-	6.00	-	7.50	-	ns	
Clock (CLK) High Time	tCH	2.00	-	2.40	-	2.50	-	ns	1
Clock (CLK) Low Time	tCL	2.00	-	2.40	-	2.50	-	ns	1
Clock Access Time	tCD		3.00		3.50		4.00	ns	2
Clock (CLK) High to Output Low-Z	tCLZ	1.25	-	1.25	-	1.25	-	ns	2,3,4,5
Clock High to Output High-Z	tCHZ	1.25	3.00	1.25	3.50	1.25	3.50	ns	2,3,4,5
Output Enable to Data Valid	tOE	-	3.00	-	3.50	-	4.00	ns	6
Output Hold from Clock High	tOH	1.25	-	1.25	-	1.25	-	ns	
Output Enable Low to Output Low-Z	tOELZ	0.00	-	0.00	-	0.00	-	ns	2,3,4,5
Output Enable High to Output High-Z	tOEZH	-	3.00	-	3.50	-	3.50	ns	2,3,4,5
Address Set-up to CLK High	tAS	1.50		1.50		1.50		ns	7,8
Address Hold from CLK High	tAH	0.50		0.50		0.50		ns	7,8
Address Status Set-up to CLK High	tASS	1.50		1.50		1.50		ns	7,8
Address Status Hold from CLK High	tASH	0.50		0.50		0.50		ns	7,8
Address Advance Set-up to CLK High	tADVS	1.50		1.50		1.50		ns	7,8
Address Advance Hold from CLK High	tADVH	0.50		0.50		0.50		ns	7,8
Chip Enable Set-up to CLK High (CE <sub>x</sub> , CE <sub>2</sub> )	tCES	1.50		1.50		1.50		ns	7,8
Chip Enable Hold from CLK High (CE <sub>x</sub> , CE <sub>2</sub> )	tCEH	0.50		0.50		0.50		ns	7,8
Data Set-up to CLK High	tDS	1.50		1.50		1.50		ns	7,8
Data Hold from CLK High	tDH	0.50		0.50		0.50		ns	7,8
Write Set-up to CLK High (GW, BWE, BWX)	tWES	1.50		1.50		1.50		ns	7,8
Write Hold from CLK High (GW, BWE, BWX)	tWEH	0.50		0.50		0.50		ns	7,8
ZZ High to Power Down	tPD		2		2		2	cycles	
ZZ Low to Power Up	tPU	2		2		2		cycles	

### Notes to Switching Specifications:

1. Measured as HIGH when above VIH and Low when below VIL
2. This parameter is measured with the output loading shown in AC Test Loads
3. This parameter is sampled
4. Transition is measured +500mV from steady state voltage
5. Critical specification(s) when Design Considerations are being reviewed/analyzed for Bus Contentention
6. OE<sub>x</sub> is a Don't Care when a Byte or Global Write is sampled LOW
7. A READ cycle is defined by Byte or Global Writes sampled LOW and ADSP<sub>x</sub> is sampled HIGH for the required SET-UP and HOLD times
8. This is a Synchronous device. All addresses must meet the specified SET-UP and HOLD times for all rising edges of CLK when either ADSP<sub>x</sub> or ADSC<sub>x</sub> is sampled LOW while the device is enabled. All other synchronous inputs must meet the SET-UP and HOLD times with stable logic levels for all rising edges of clock (CLK) during device operation (enabled). Chip Enable (CE<sub>x</sub>, CE<sub>2</sub>) must be valid at each rising edge of clock (CLK) when either ADSP<sub>x</sub> or ADSC<sub>x</sub> is LOW to remain enabled.

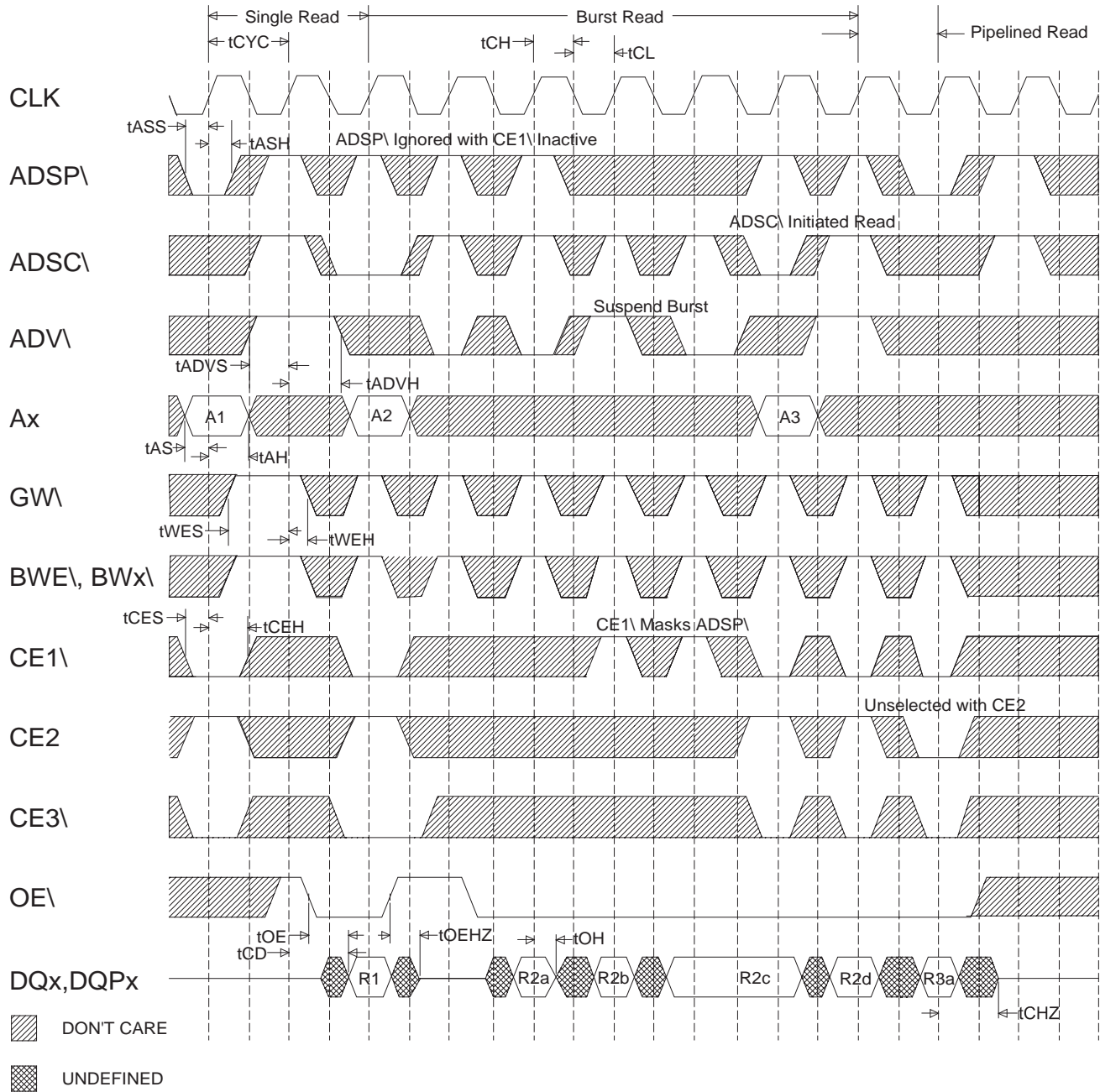
## AC SWITCHING WAVEFORMS

### Write Cycle Timing



## AC SWITCHING WAVEFORMS

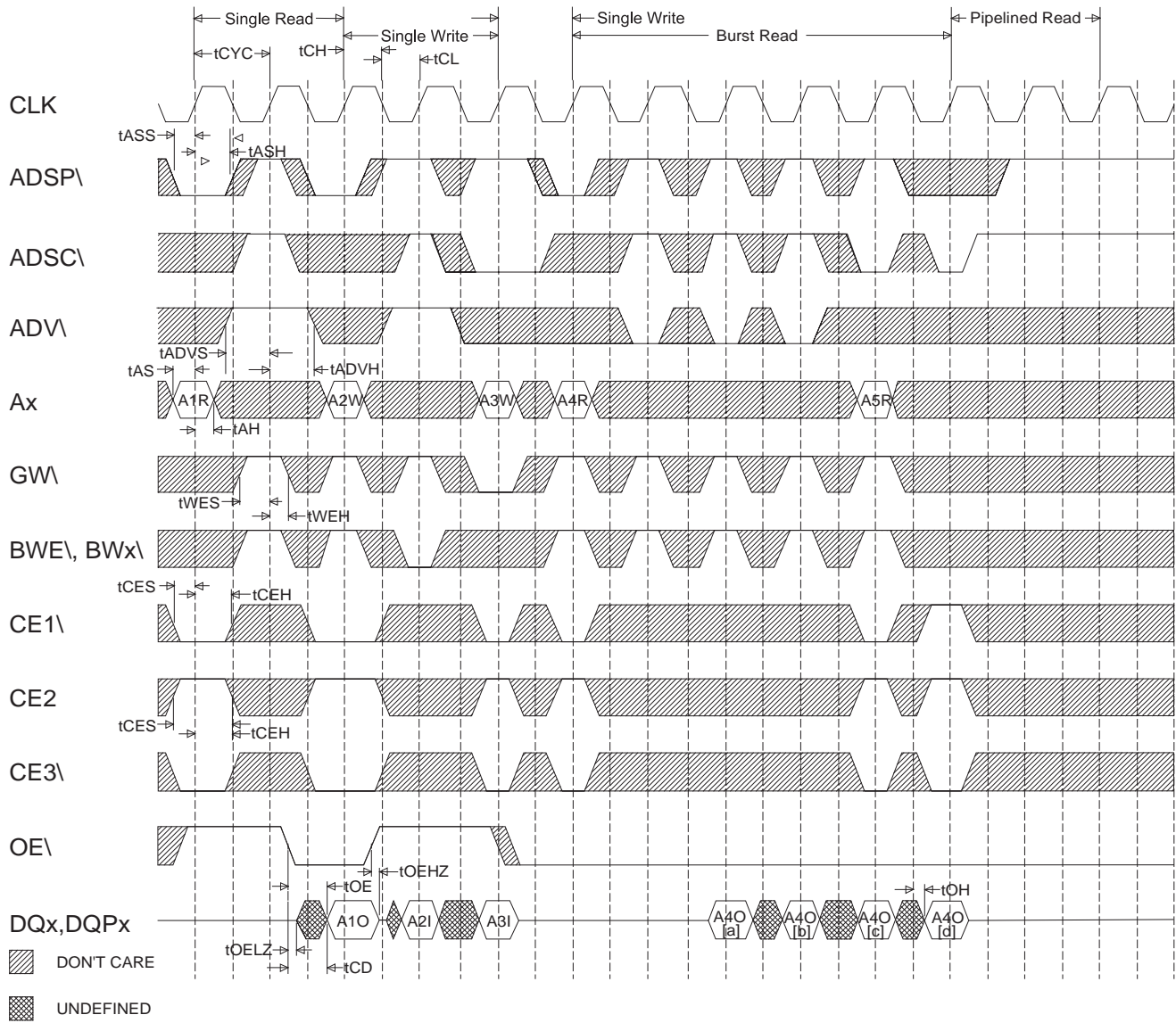
### Read Cycle Timing





## AC SWITCHING WAVEFORMS

### Read/Write Cycle Timing



## POWER DOWN (SNOOZE MODE)

Power Down or Snooze is a Power conservation mode which when building large/very dense arrays, using multiple devices in a multi-banked or paged array, can greatly reduce the Operating current requirements of your total memory array solution.

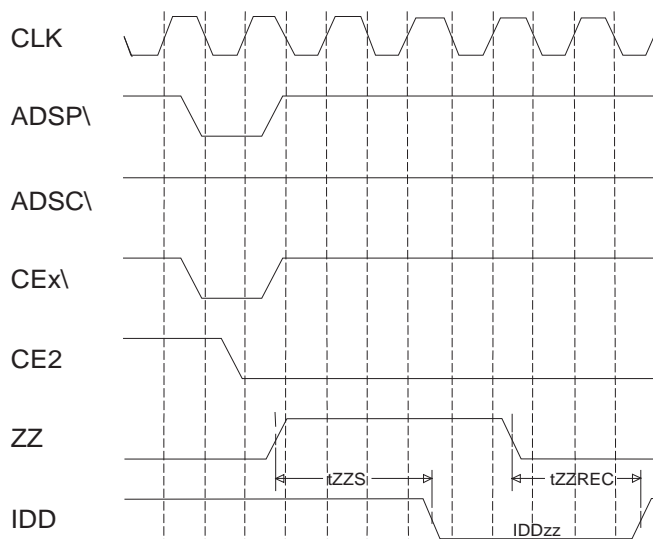
The device is placed in this mode via the use of the ZZ pin, an asynchronous control pin which when asserted, places the array into the lower power or Power Down mode. Awakening the array or leaving the Power Down (SNOOZE) mode is done so by de-asserting the ZZ pin .

While in the Power Down or Snooze mode, Data integrity is guaranteed. Accesses pending when the device entered the mode are not considered valid nor is the completion of the operation guaranteed. The device must be de-selected prior to entering the Power Down mode, all Chip Enables, ADSP\ and ADSC\ must remain inactive for the duration of ZZ recovery time (tZZREC).

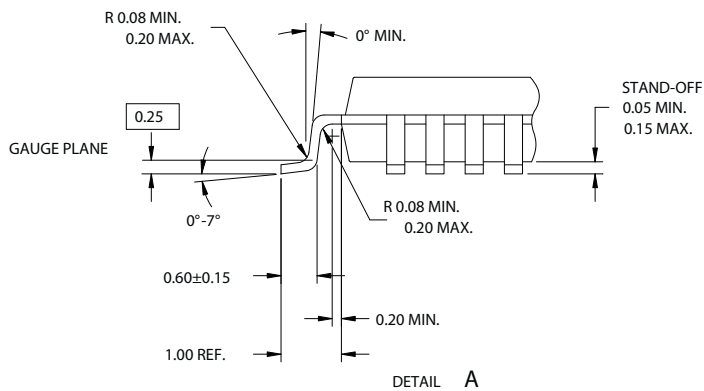
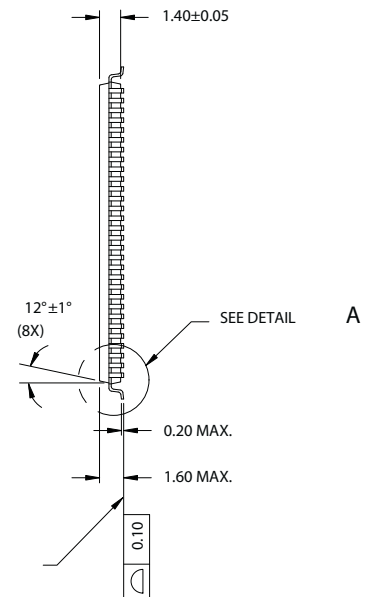
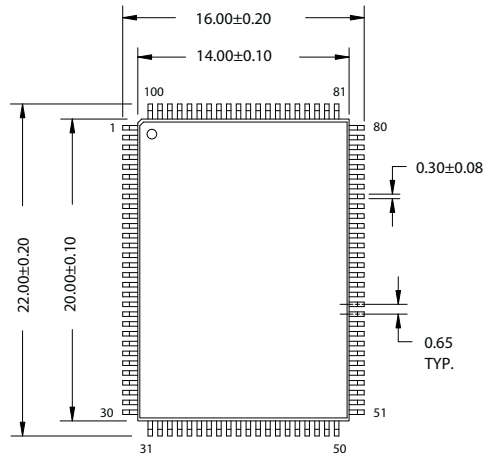
## ZZ MODE ELECTRICAL CHARACTERISTICS

Parameter	Symbol	Test Conditon	Min.	Max.	Units
Power Down (SNOOZE) Mode	<b>IDDzz</b>	ZZ >/- VDD - 0.2V		75	mA
ZZ Active (Signal HIGH) to Power Down	<b>tZZS</b>	ZZ >/- VDD - 0.2V		2 tCYC	ns
ZZ Inactive (Signal Low) to Power Up	<b>tZZR</b>	ZZ </- 0.2V	2 tCYC		ns

## ZZ MODE TIMING DIAGRAM



**MECHANICAL DIAGRAM**  
**100-Pin TQFP (Package Designator DQ)**



**NOTE:**

1. JEDEC STD REF MS-026
2. BODY LENGTH DIMENSION DOES NOT INCLUDE MOLD PROTRUSION/END FLASH  
MOLD PROTRUSION/END FLASH SHALL NOT EXCEED 0.0098 in (0.25 mm) PER SIDE  
BODY LENGTH DIMENSIONS ARE MAX PLASTIC BODY SIZE INCLUDING MOLD MISMATCH
3. DIMENSIONS IN MILLIMETERS

51-85050-\*B

## ORDERING INFORMATION

Part Number	Configuration	tCD (ns)	Clock (Mhz)
<b>TQFP</b>			
<b>AS5SP512K18DQ-30IT</b>	512Kx18, 3.3vCore/3.3,2.5v IO	3.0	<b>200</b>
<b>AS5SP512K18DQ-35IT</b>	512Kx18, 3.3vCore/3.3,2.5v IO	3.5	<b>166</b>
<b>AS5SP512K18DQ-40IT</b>	512Kx18, 3.3vCore/3.3,2.5v IO	4.0	<b>133</b>
<b>AS5SP512K18DQ-30ET</b>	512Kx18, 3.3vCore/3.3,2.5v IO	3.0	<b>200</b>
<b>AS5SP512K18DQ-35ET</b>	512Kx18, 3.3vCore/3.3,2.5v IO	3.5	<b>166</b>
<b>AS5SP512K18DQ-40ET</b>	512Kx18, 3.3vCore/3.3,2.5v IO	4.0	<b>133</b>
<b>AS5SP512K18DQ-35XT</b>	512Kx18, 3.3vCore/3.3,2.5v IO	3.5	<b>166</b>
<b>AS5SP512K18DQ-40XT</b>	512Kx18, 3.3vCore/3.3,2.5v IO	4.0	<b>133</b>

### AVAILABLE PROCESSES

IT = Industrial Temperature Range	-40°C to +85°C
ET = Enhanced Temperature Range	-40°C to +105°C
XT = Military Temperature Range	-55°C to +125°C

**DOCUMENT TITLE**

9Mb, 512K x 18, Synchronous SRAM

**REVISION HISTORY**

<u>Rev #</u>	<u>History</u>	<u>Release Date</u>	<u>Status</u>																																	
2.1	Updated Micross information	October 2010	Release																																	
2.2	Added copper lead frame & RoHS options. Deleted $I_{SB3}$ and $I_{SB4}$ . Changed: <table border="1" data-bbox="332 655 917 1071"> <thead> <tr> <th></th> <th>From</th> <th>To</th> </tr> </thead> <tbody> <tr> <td>CCLK &amp; CI</td> <td>5pF</td> <td>6pF</td> </tr> <tr> <td>CIO</td> <td>5pF</td> <td>8pF</td> </tr> <tr> <td>IDDzz</td> <td>35mA</td> <td>75mA</td> </tr> <tr> <td>IDD (200 MHz)</td> <td>250mA</td> <td>290mA</td> </tr> <tr> <td>IDD (166 MHz)</td> <td>220mA</td> <td>270mA</td> </tr> <tr> <td>IDD (133 MHz)</td> <td>185mA</td> <td>240mA</td> </tr> <tr> <td>ISB1 (200 MHz)</td> <td>120mA</td> <td>200mA</td> </tr> <tr> <td>ISB1 (166 MHz)</td> <td>110mA</td> <td>180mA</td> </tr> <tr> <td>ISB1 (133 MHz)</td> <td>100mA</td> <td>160mA</td> </tr> <tr> <td>ISB2</td> <td>30mA</td> <td>130mA</td> </tr> </tbody> </table>		From	To	CCLK & CI	5pF	6pF	CIO	5pF	8pF	IDDzz	35mA	75mA	IDD (200 MHz)	250mA	290mA	IDD (166 MHz)	220mA	270mA	IDD (133 MHz)	185mA	240mA	ISB1 (200 MHz)	120mA	200mA	ISB1 (166 MHz)	110mA	180mA	ISB1 (133 MHz)	100mA	160mA	ISB2	30mA	130mA	June 2011	Release
	From	To																																		
CCLK & CI	5pF	6pF																																		
CIO	5pF	8pF																																		
IDDzz	35mA	75mA																																		
IDD (200 MHz)	250mA	290mA																																		
IDD (166 MHz)	220mA	270mA																																		
IDD (133 MHz)	185mA	240mA																																		
ISB1 (200 MHz)	120mA	200mA																																		
ISB1 (166 MHz)	110mA	180mA																																		
ISB1 (133 MHz)	100mA	160mA																																		
ISB2	30mA	130mA																																		
2.3	Added Thermal Resistance for DQC package, page 6.	September 2011	Release																																	
2.4	Removed Cu-lead frame option	October 2013	Release																																	