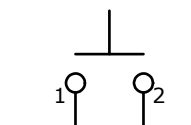
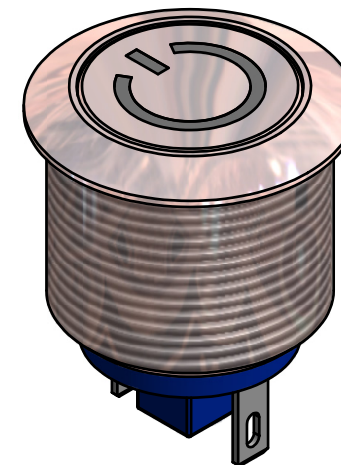
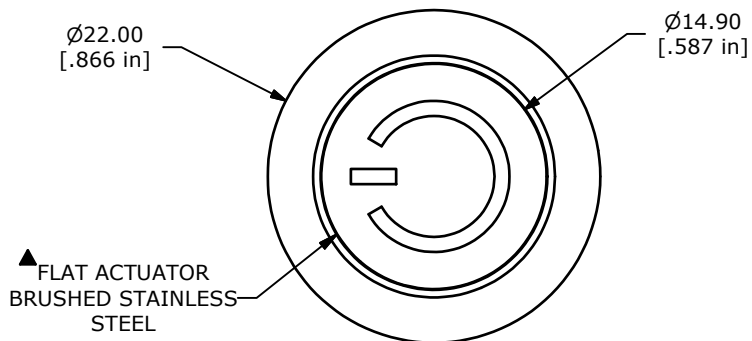


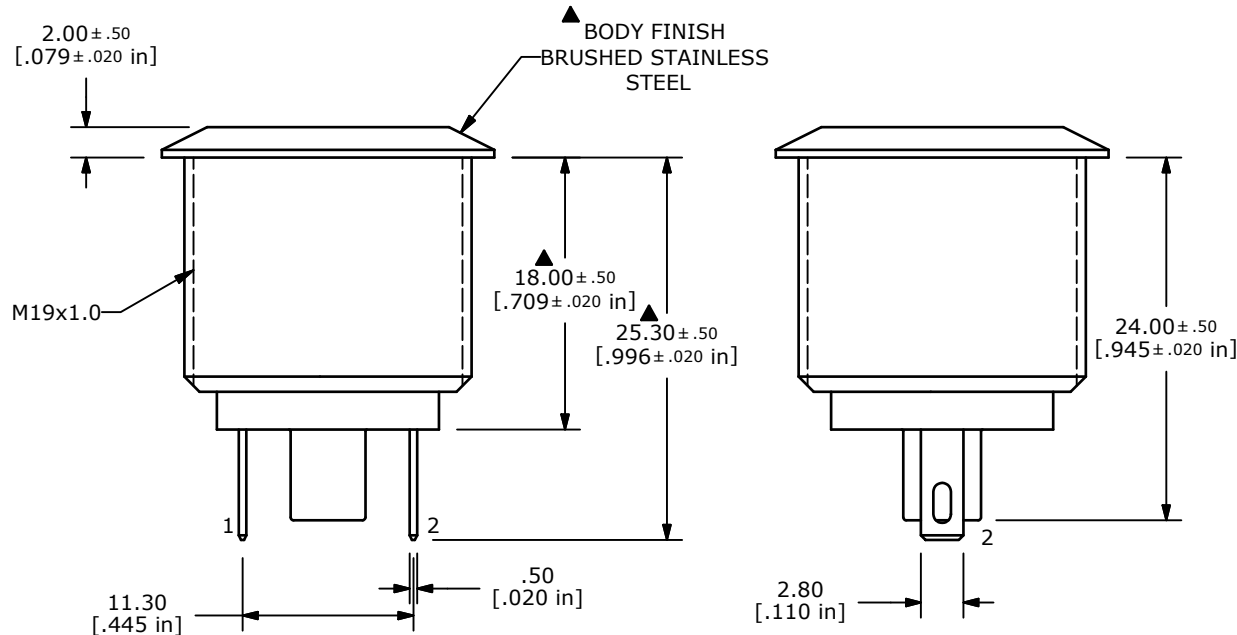
PANEL MOUNTING
MAX. PANEL THICKNESS 8.0mm



▲ CIRCUIT: SPST

| SWITCH FUNCTION | |
|-----------------|--------|
| POS. 1 | POS. 2 |
| | |
| OFF | (ON) |
| OPEN | 1-2 |

(ON) = MOMENTARY



NOTE:

1. ALL DIMENSIONS IN MM [INCH]
2. GENERAL TOLERANCE: X.X = ± 0.4
X.XX = ± 0.25
3. TERMINAL NOS. FOR REF. ONLY
- ▲ 4. FUNCTION: SPST
- ▲ 5. RATING: 2A @ 48VDC
6. CONTACT RESISTANCE: 50mΩ MAX. @ 1A 12VDC
7. INSULATION RESISTANCE: 1,000MΩ @ 500VDC
8. DIELECTRIC STRENGTH: 2,000VAC MIN. FOR 1 MINUTE
9. ELECTRICAL LIFE: 200,000 CYCLES
- ▲ 10. CONTACT MATERIAL: GOLD PLATED COPPER
11. OPERATING TEMPERATURE: -20°C TO 55°C
12. INGRESS PROTECTION: IP65
13. ▲ DENOTES CRITICAL PARAMETER
14. 2002/95/EC (ROHS) COMPLIANT
- ▲ 15. HARDWARE INCLUDED: HEX NUT AND O-RING (NOT SHOWN)



TITLE PV1F240BBG-M01

| | | | | |
|-----|--------|------------------------|----------|----|
| A | 21745 | RELEASE FOR PRODUCTION | 12/29/14 | rc |
| REV | PCR NO | DESCRIPTION | DATE | BY |

| | | | | |
|-------|------------|----|------------------|-----|
| SCALE | DATE | DR | DWG | REV |
| 2:1 | 12/29/2014 | rc | 52-PV1F240BBGM01 | A |

THE INFORMATION CONTAINED IN THIS DOCUMENT IS PROPRIETARY
TO E-SWITCH AND IS NOT TO BE COPIED OR TRANSFERRED