

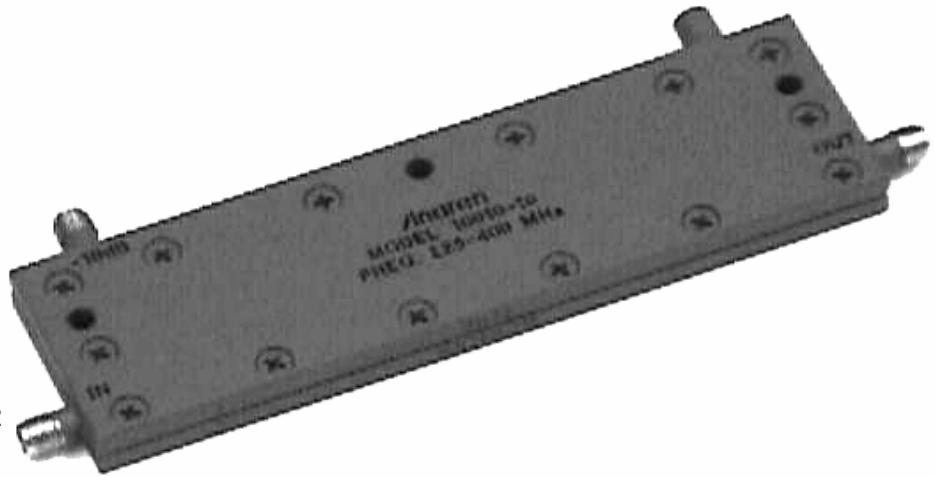
Directional Couplers In-Line Style

Applications

- Subassemblies
- Lab Systems
- Leveling Loops
- Power Monitoring
- Test and Calibration

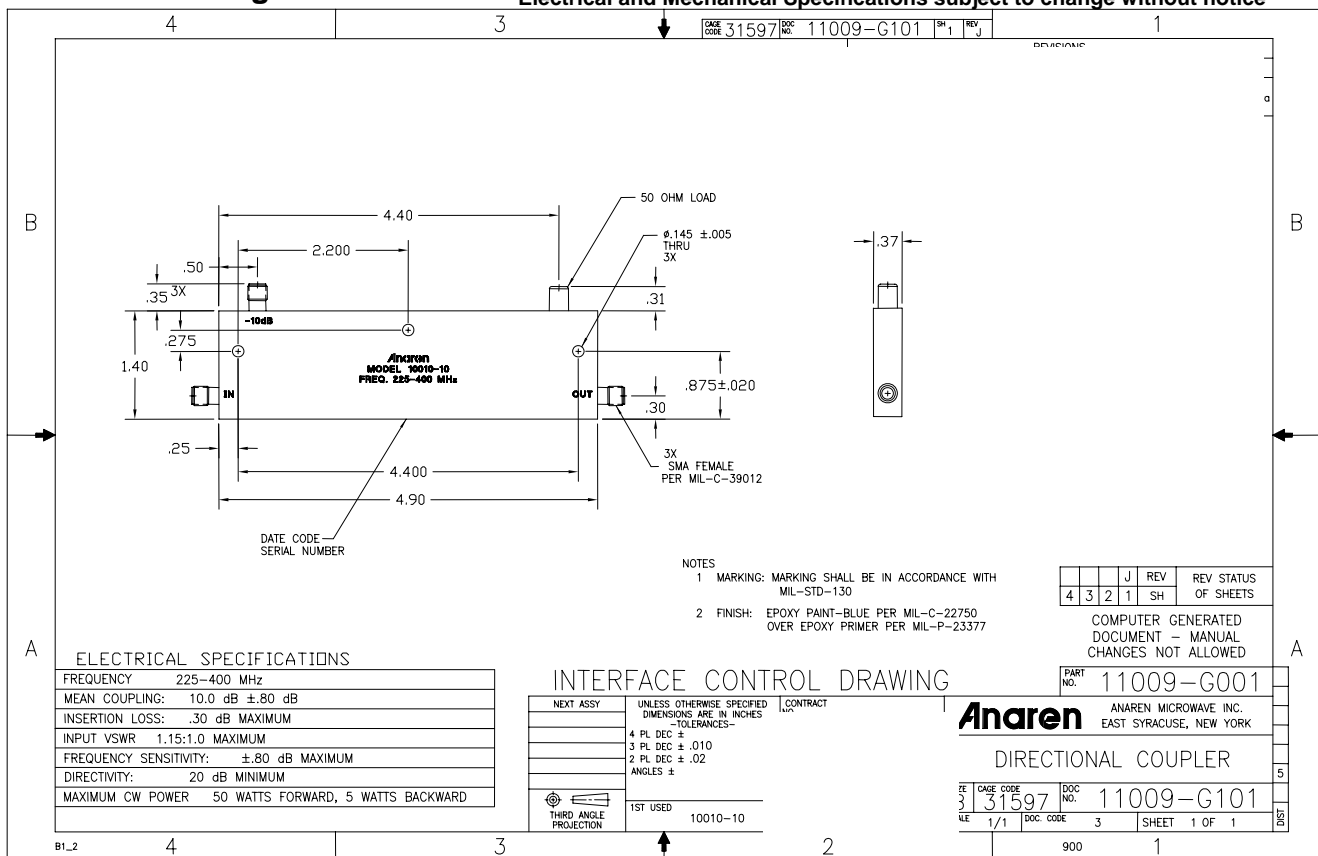
Features

- Military Grade
- 0.225 – 0.4 GHz
- In-Line Configuration
- Connectors Per MIL-C-39012
- Rugged Aluminum Housing
- Built in Termination
- Meets MIL-E-5400 Class 3 Requirements

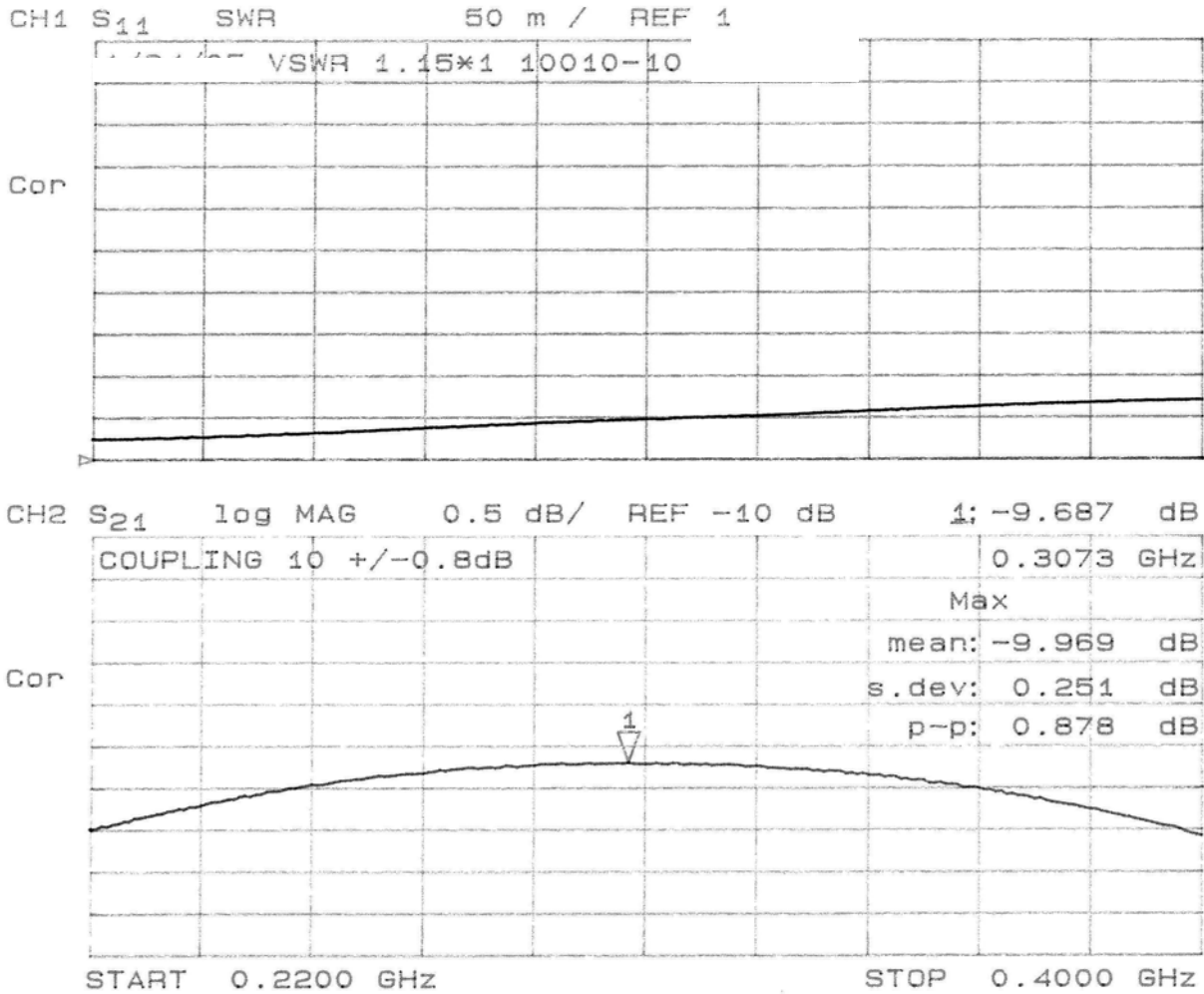


NOTES: The power rating applies when coupled port VSWR is 2.0:1 or less.
Higher power can be handled with a lower VSWR termination
Electrical and Mechanical Specifications subject to change without notice

Outline Drawing



Typical Test Data Plots



Typical Test Data Plots

