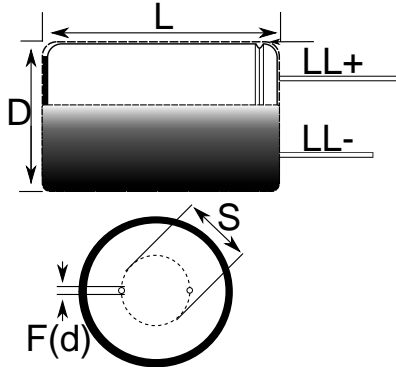


Aluminum Electrolytic, 105C LowZ, EST, 1000 uF, 20%, 63 V, -40/+105C, Lead Spacing = 7.5mm



Note: '()' correspond to the letters used in the product bulletin

| Dimensions | |
|-------------|----------------|
| D | 16mm +/-0.5mm |
| L | 36mm +2mm |
| S | 7.5mm +/-0.5mm |
| LL Negative | 15mm MIN |
| LL Positive | 20mm MIN |
| F | 0.8mm NOM |

| Packaging Specifications | |
|--------------------------|-----------|
| Packaging: | Bulk, Bag |
| Packaging Quantity: | 600 |

| General Information | |
|---------------------|---|
| Dielectric: | Aluminum Electrolytic |
| Series: | EST |
| Description: | LowZ, Long Life, Single Ended Aluminum Electrolytic |
| Features: | Low Z, Long Life, Low Impedance |
| RoHS: | Yes |
| Lead: | Wire Leads |

| Specifications | |
|--------------------------|--------------------------|
| Capacitance: | 1000 uF |
| Capacitance Tolerance: | 20% |
| Voltage DC: | 63 VDC, 79 VDC (Surge) |
| Temperature Range: | -40/+105C |
| Rated Temperature: | 105C |
| Life: | 10000 Hrs |
| Dissipation Factor: | 14% |
| Resistance: | 0.045 Ohms (100kHz 20C) |
| Current: | 1790 mAmps (100kHz 105C) |
| Leakage Current: | 630 uA (2min 20C) |
| Impedance Ratio at -25C: | 2 |
| Impedance Ratio at -40C: | 3 |