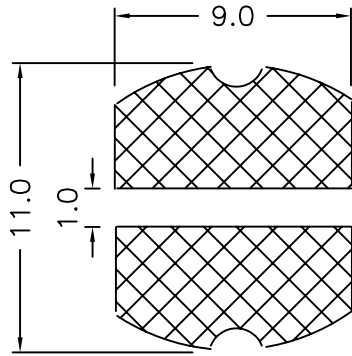
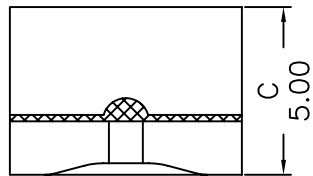
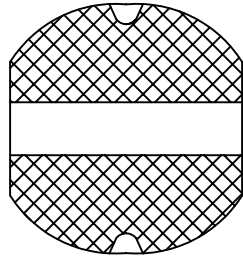
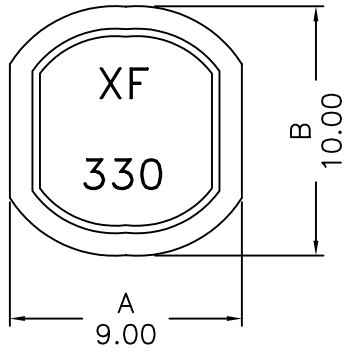
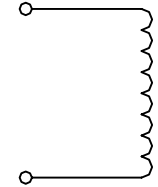


1. Mechanical Dimensions:



PAD LAYOUT

2. Schematic:



3. Electrical Specifications:

OCL: $33\mu\text{H} \pm 20\%$ @1.0KHz 1V

DCR: 0.110 Ohms Max

IDC: 1.16Adc Max

Notes:

1. Solderability: Leads shall meet MIL-STD-202, Method 208D for solderability.
2. Flammability: UL94V-0
3. ASTM oxygen index: > 28%
4. Temperature rating: 155°C. UL file E151556
5. Operating Temperature Range: -40°C to +85°C

DOC REV: A/1

XFMRs Inc	Title: INDUCTOR			
	UNLESS OTHERWISE SPECIFIED TOLERANCES: .xx ±0.25 Dimensions in MM	P/N: XFSDR105SH-330M	REV. A	
	DWN.	罗振江	Sep-18-03	
	CHK.	廖玉坤	Sep-18-03	
	APP.	BW	Sep-18-03	
SHT 1 OF 1				