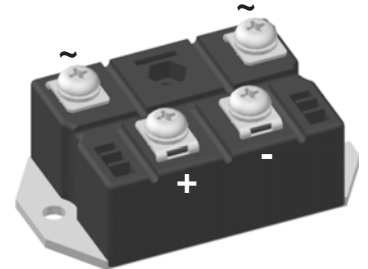
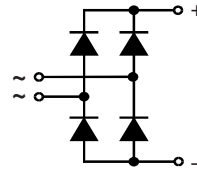


Single Phase Rectifier Bridge

$I_{dAV} = 122 \text{ A}$
 $V_{RRM} = 800-1800 \text{ V}$

Preliminary data

V_{RSM} V	V_{RRM} V	Type
900	800	VBO 130-08NO7
1300	1200	VBO 130-12NO7
1700	1600	VBO 130-16NO7
1900	1800	VBO 130-18NO7



Symbol	Conditions	Maximum Ratings	
I_{dAV}	$T_C = 100^\circ\text{C}$, module	122	A
I_{dAV}	$T_A = 35^\circ\text{C}$ ($R_{thCA} = 0.2 \text{ K/W}$), module	115	A
I_{FSM}	$T_{VJ} = 45^\circ\text{C}$ $V_R = 0$	$t = 10 \text{ ms}$ (50 Hz), sine	1800 A
		$t = 8.3 \text{ ms}$ (60 Hz), sine	1950 A
I^2t	$T_{VJ} = T_{VJM}$ $V_R = 0$	$t = 10 \text{ ms}$ (50 Hz), sine	16 200 A ² s
		$t = 8.3 \text{ ms}$ (60 Hz), sine	16 200 A ² s
T_{VJ}	$T_{VJ} = T_{VJM}$ $V_R = 0$	$t = 10 \text{ ms}$ (50 Hz), sine	12 800 A ² s
		$t = 8.3 \text{ ms}$ (60 Hz), sine	13 400 A ² s
T_{VJ}		-40...+150	°C
T_{VJM}		150	°C
T_{stg}		-40...+125	°C
V_{ISOL}	50/60 Hz, RMS $I_{ISOL} \leq 1 \text{ mA}$	$t = 1 \text{ min}$	2500 V~
		$t = 1 \text{ s}$	3000 V~
M_d	Mounting torque (M6) Terminal connection torque (M6)		$5 \pm 15\%$ Nm
			$5 \pm 15\%$ Nm
Weight	typ.	270	g

Features

- Package with screw terminals
- Isolation voltage 3000 V~
- Planar passivated chips
- Blocking voltage up to 1800 V
- Low forward voltage drop
- UL registered E 72873

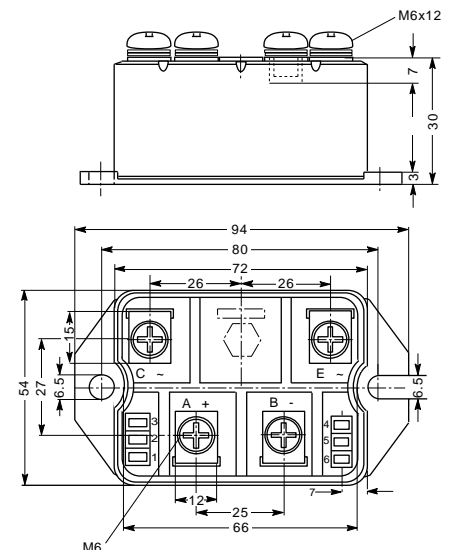
Applications

- Supplies for DC power equipment
- Input rectifiers for PWM inverter
- Battery DC power supplies
- Field supply for DC motors

Advantages

- Easy to mount with two screws
- Space and weight savings
- Improved temperature and power cycling

Dimensions in mm (1 mm = 0.0394")



Symbol	Conditions	Characteristic Values	
I_R	$V_R = V_{RRM}$ $T_{VJ} = 25^\circ\text{C}$	\leq	0.3 mA
	$V_R = V_{RRM}$ $T_{VJ} = T_{VJM}$	\leq	5 mA
V_F	$I_F = 300 \text{ A}$ $T_{VJ} = 25^\circ\text{C}$	\leq	1.65 V
V_{T0}	For power-loss calculations only		0.8 V
r_T	$T_{VJ} = T_{VJM}$		3 mΩ
R_{thJC}	per diode, 180°		0.65 K/W
	per module		0.108 K/W
R_{thJK}	per diode; 180°		0.83 K/W
	per module		0.138 K/W
d_S	Creeping distance on surface		10 mm
d_A	Creepage distance in air		9.4 mm
a	Max. allowable acceleration		50 m/s ²

Data according to IEC 60747 refer to a single diode unless otherwise stated.

IXYS reserves the right to change limits, test conditions and dimensions.

20100706b