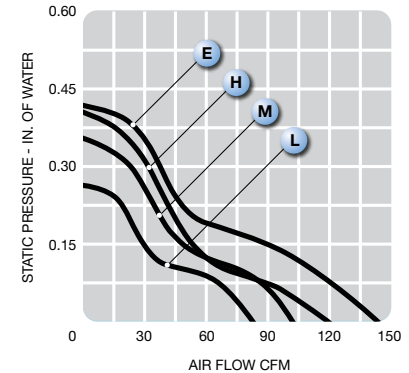
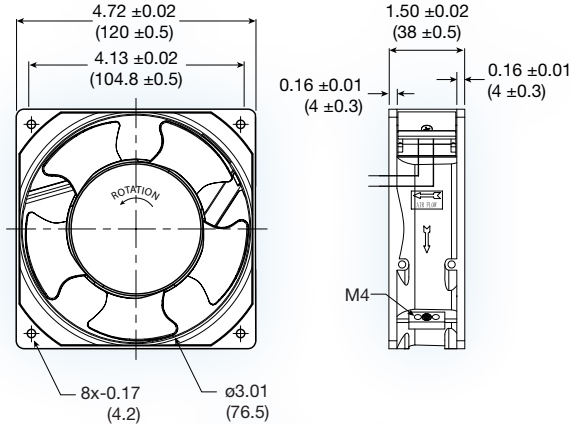




LPC12A series



(120 x 120 x 38 mm)

4.72 x 4.72 x 1.50 inches

Features: low power consumption, global input voltage

Operating voltage: 90 ~ 264 VAC

Construction: magnesium die cast frame with UL94V-0 plastic impeller

Bearing option: motor quality ball bearings

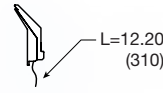
Motor: electronically comutated

Air Flow: air exhaust over struts

Connection: terminal type or lead wire



Terminal



Lead Wire

Model No.	Rated Voltage V	Freq. HZ	Input Power W	Speed RPM	Air Volume		Max. Static Pressure (H ₂ O)		Sound Noise dB _A	Weight g
					M ³ /Min.	CFM	MM	INCH		
LPC12A99-__L	90 ~ 264	50/60	6	2,800	2.4	84	7.0	0.28	43	370
LPC12A99-__M	90 ~ 264	50/60	8	3,200	2.8	100	8.5	0.34	47	370
LPC12A99-__H	90 ~ 264	50/60	10	3,600	3.4	120	9.8	0.39	52	370
LPC12A99-__E	90 ~ 264	50/60	12	4,000	4.0	140	11.0	0.44	56	370

