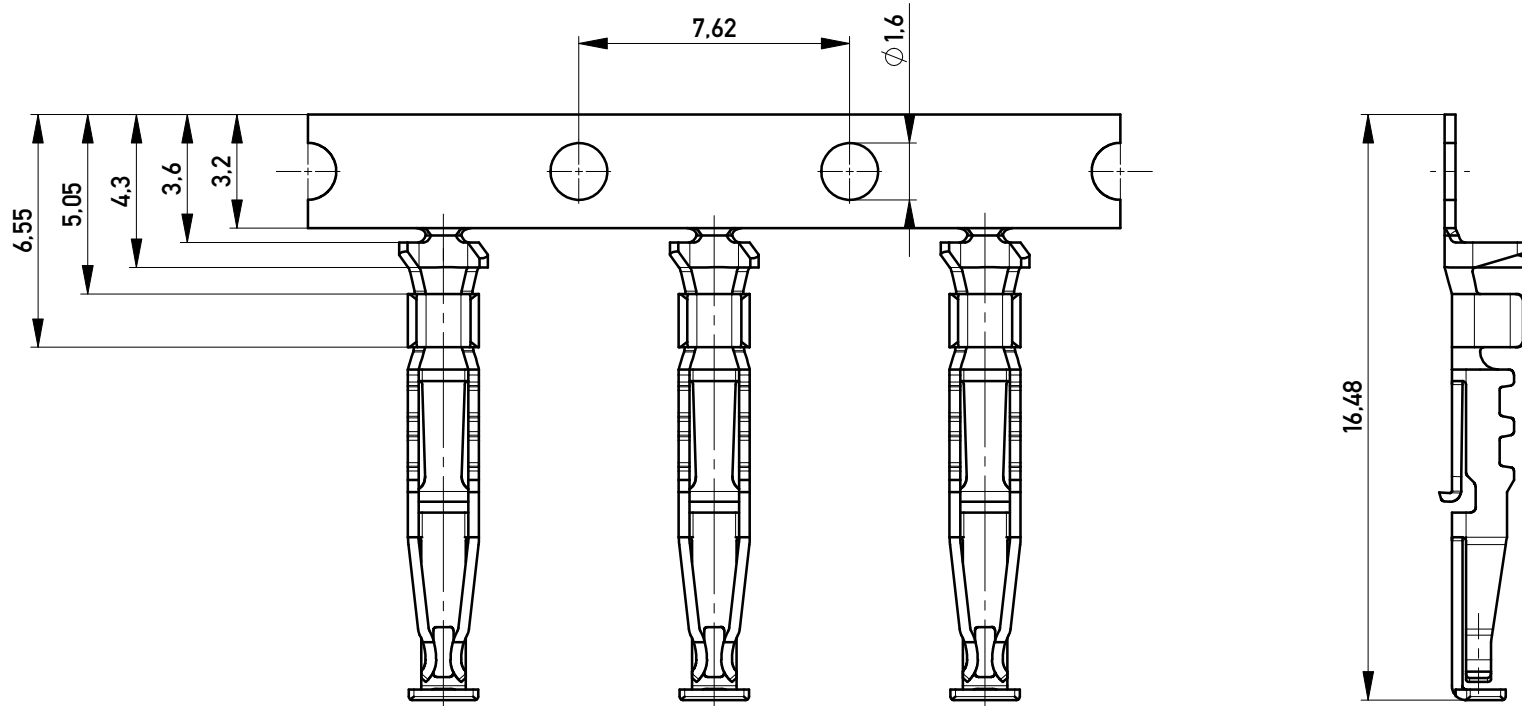
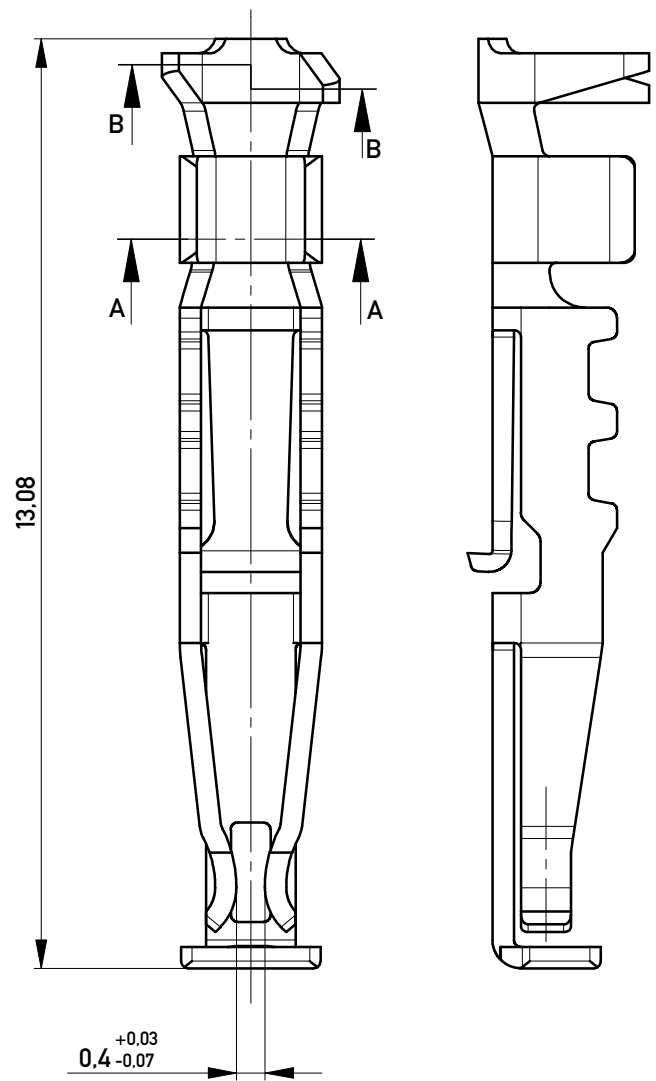


Federkontakte am Band

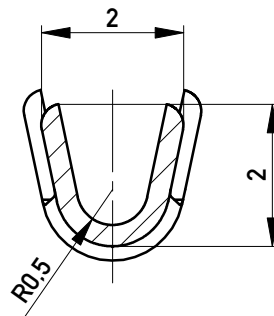


Federkontakt vereinzelt



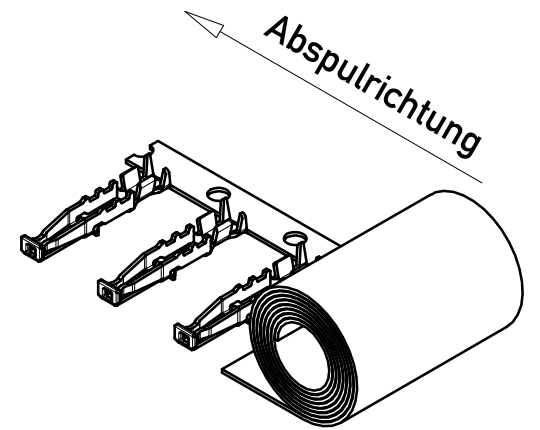
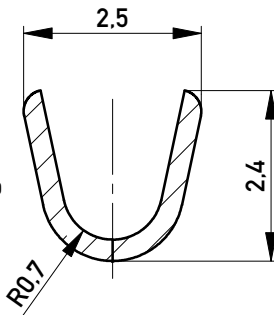
Schnitt A-A M 10:1

Drahtcrimp



Schnitt B-B M 10:1

Isolationscrimp



¹ AWG 20 für Isolationsdurchmesser < 1,5mm

AWG 20-22 ¹	500	Ø 130	137	
Leiterquerschnitt <i>wire cross section</i>	Menge	Spulen- durchmesser	Anforder- ungsstufe	Bemerkung

Information: All rights reserved. Only for Information. To ensure that this is the latest version of this drawing, please contact one of the ERNI companies before using.	Tolerances	Scale 2:1 All Dimensions in mm	Designation Federkontakte 2,54 SRC-A BA1 <i>Spring contact 2,54 SRC-A</i>
	Copyright by ERNI GmbH Proprietary notice pursuant to ISO 16016 to be observed.	Subject to modification without prior notice. Drawing will not be updated.	102502070001
f	10.04.2013	www.ERNI.com	Class SRCBUT
Index	Date		