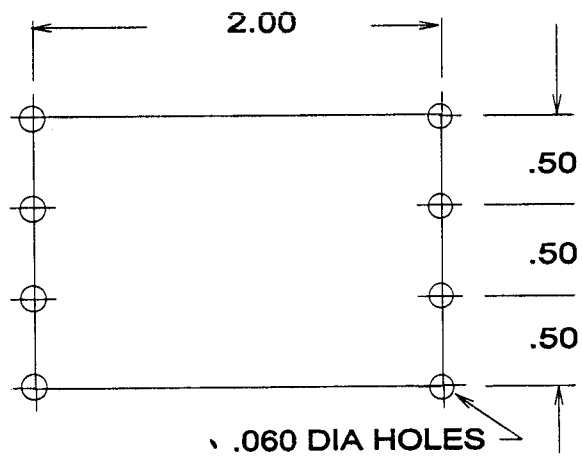
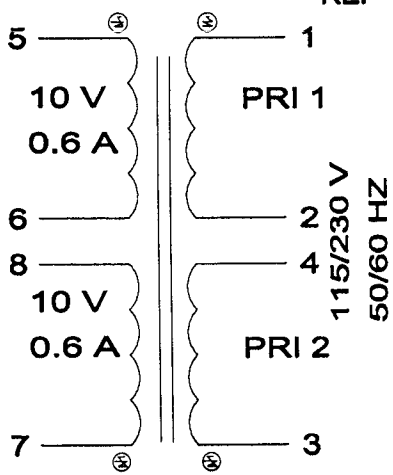
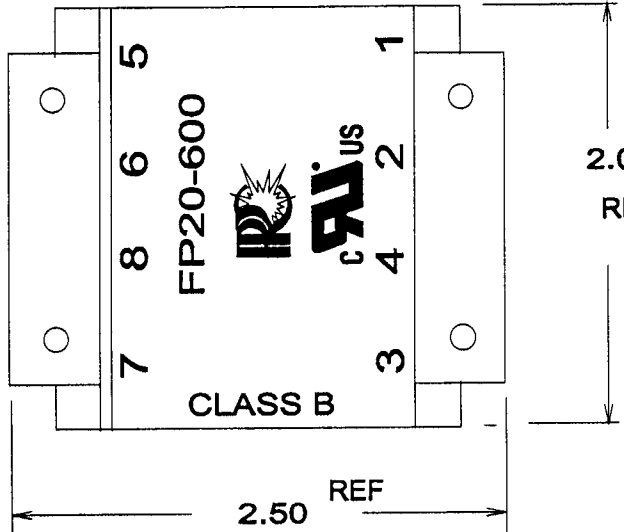
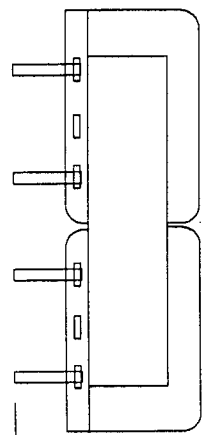


TOLERANCE UNLESS SPECIFIED = .XXX = +/- .005 .XX = +/- .015 FRACTIONS = +/- .032

FP20-600.DC2

EIA-17-YYWW
XXX B10



PRODUCTION TESTS

TURNS RATIO = 100%	
DC RESISTANCE IN OHMS	1-2 = 3-4 = 114 TO 140
NOM	5-6 = 7-8 = 1.15 TO 1.45

MAX EXCITATION CURRENT = .022 A
 APPLY = 230V, 60 HZ, 1-4, TIE 2+3
 EACH PRI = 114.5 TO 115.5 V
 EACH SEC = 11.6 TO 12.1 V

HIPOT: 2000V PRI'S TO SEC'S
 1500V PRI'S, SEC'S TO CORE
 500V P-P, S-S
 IMPREGNATION NOTES = PREHEAT 2 HRS
 PINS TO BE FREE OF EPOXY

FINAL ASSEMBLY NOTES

METHOD 1 X 1

MARKING PRINTED WRAPPER
 DATE CODE ON LABEL AS SHOWN ABOVE.

 PART NO.: FP20-600