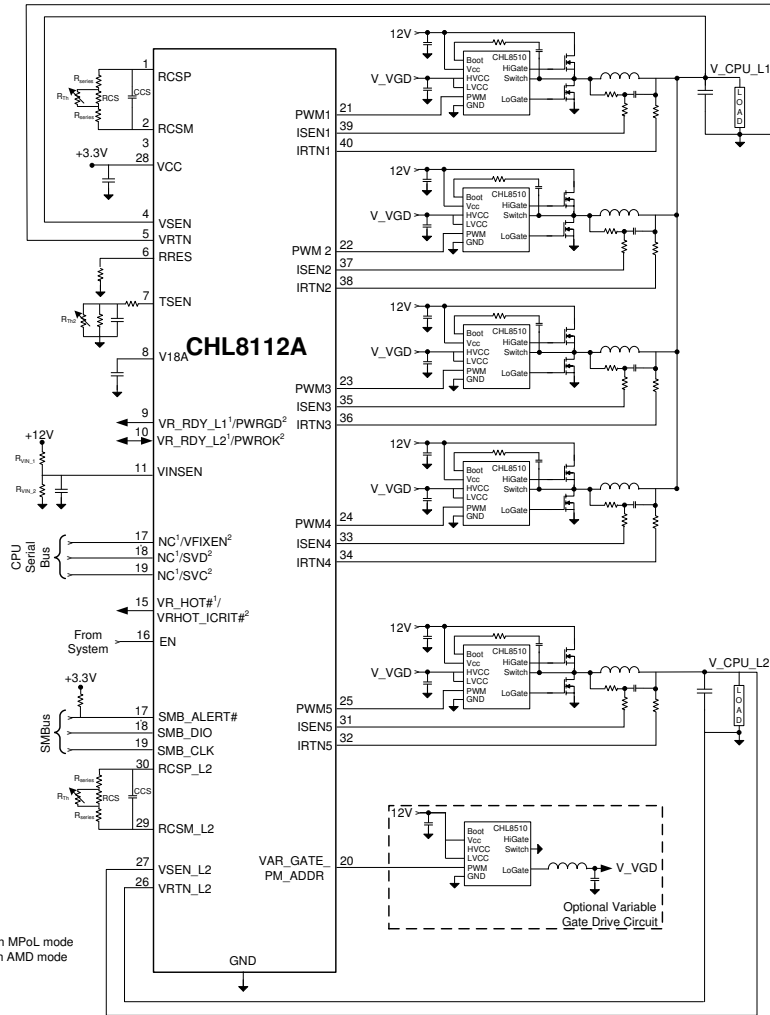
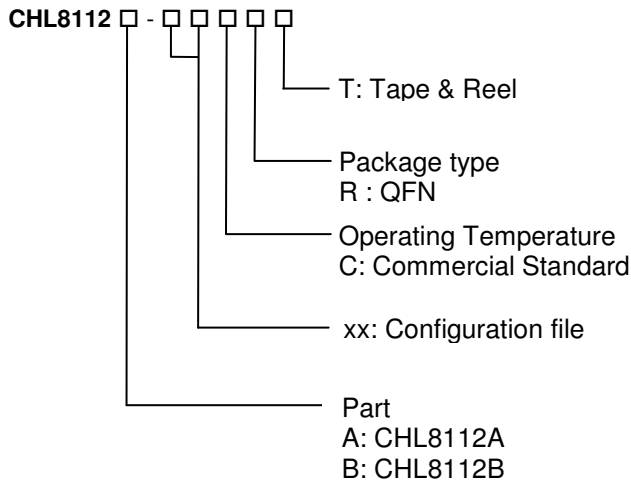


TYPICAL APPLICATIONS BLOCK DIAGRAMS



Notes
¹ Pin definition in MPoL mode
² Pin definition in AMD mode

ORDERING INFORMATION



Package	Tape & Reel Qty	Part Number
QFN	3000	CHL8112A-00CRT ¹
QFN	3000	CHL8112A-xxCRT ²
QFN	3000	CHL8112B-00CRT ¹
QFN	3000	CHL8112B-xxCRT ²

Notes

1. For unprogrammed/default parts, use configuration file 00. Unprogrammed parts will not start up until programmed in order to insure a safe power up.
2. -xx indicates a customer specific configuration file