

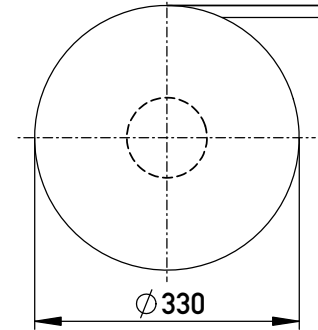
Anforderungsstufe 1  
Performance Level 1

Kontaktbereich vergoldet  
Mating Area gold plating

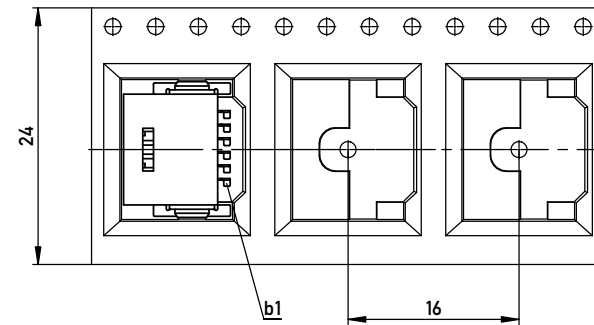
Anschlussbereich verzinkt 4-6 µm  
Terminal Area 4-6 µm tin plating

Koplanarität der Anschlüsse ≤ 0,1 mm  
Coplanarity Area of Termination ≤ 0,1 mm

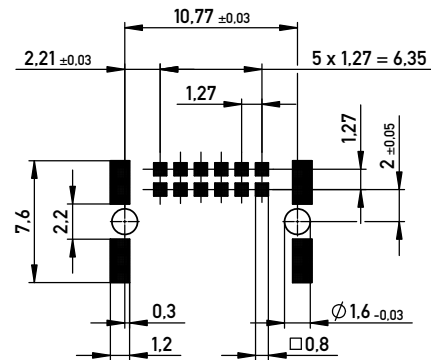
Verpackt in Gurtverpackung  
Tape on Reel Packaging  
Verpackungseinheit: 560 Stück  
Packaging unit: 560 pcs



Abspulrichtung - Reel off Direction



Leiterplatten-Layout Vorschlag für SMT  
PCB-Layout Proposal for SMT



BA7-03 - Standard Bauhöhe für Verriegelung

type7-03 - Standard Assembly Height for locking mechanism

Information:	Tolerances	 All Dimensions in mm	Scale	3:1
			Designation	
All rights reserved. Only for Information. To ensure that this is the latest version of this drawing, please contact one of the ERNI companies before using.		Subject to modification without prior notice. Drawing will not be updated.	<b>Messerl. SMC-B 12-SMD-BA7-03</b> <b>Male SMC-B 12-SMD-type7-03</b>	
www.ERNI.com			<b>254273</b>	I <b>A3</b>
b	23.09.2013		Class	SMCB
Index	Date			

Copyright by ERNI GmbH.  
Proprietary notice pursuant to ISO 9006 to be observed.