



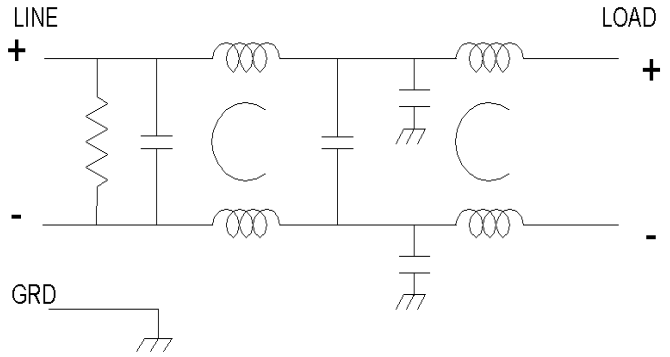
KK-1328-40

This filter delivers high common mode and differential mode insertion loss for DC Power Systems.

The filter can be used for either commercial applications or for applications involving MIL-STD-461D, E, or F.

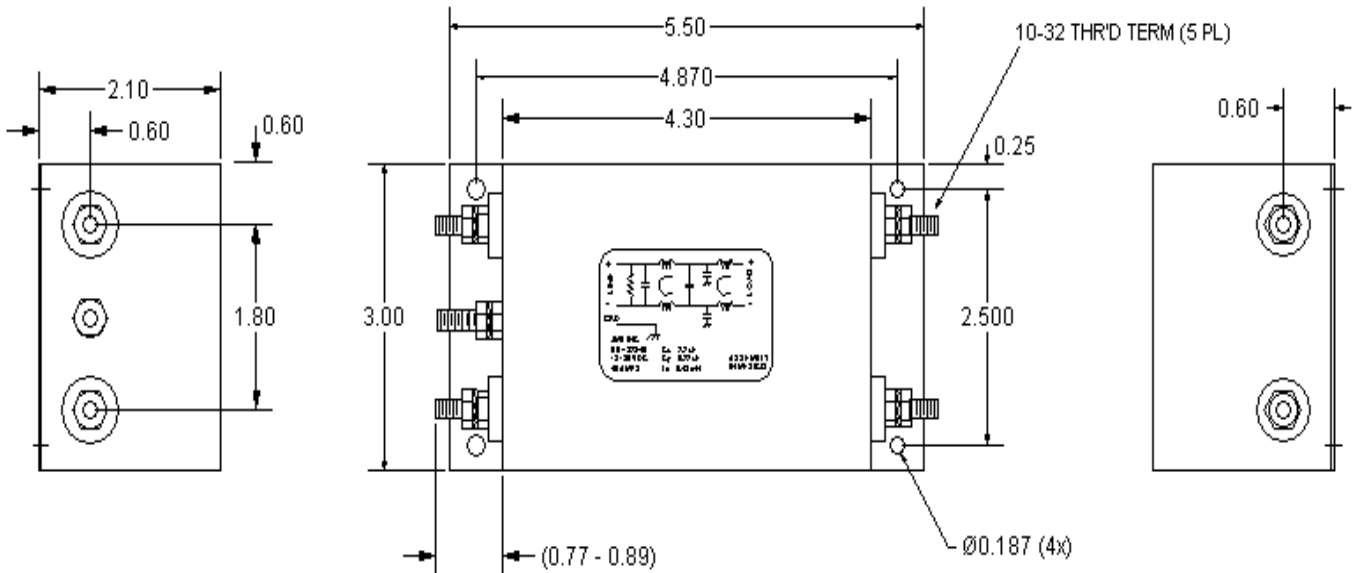
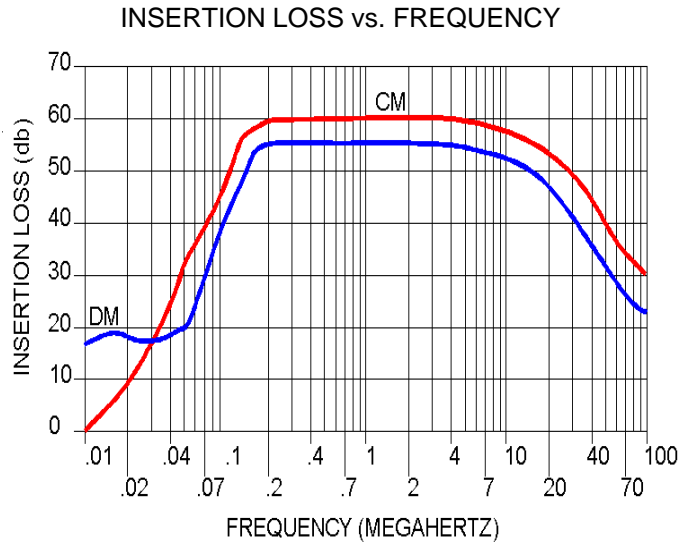
If the older MIL-STD-461C is required, the circuit can be re-arranged to accommodate the "C" version.

If severe shock and vibration is a requirement, contact our engineering department to discuss any possible mechanical modifications.



- Operating Voltage = _____ 0 to 63Vdc
- Operating Current = _____ 40 Amp
- Operating Temperature = _____
- 40 AMP= _____ (-20 - 50°C)
- 37 AMP= _____ (-20 - 55°C)
- 35 AMP= _____ (-20 - 60°C)
- 30 AMP= _____ (-20 - 67°C)
- 27 AMP= _____ (-20 - 72°C)
- Storage Temperature = _____ -40°C - 100°C
- Diel. Withstanding (L-Case) = _____ 1000 Vdc
- Diel. Withstanding (L-L) = _____ 1000 Vdc
- Max Residual Volt after 1 sec = _____ 34 Volts
- Weight = _____ 1.9 lb
- Max Torque on Terminals = _____ 25 in.lb

Calculated MTBF = _____ 7,386,888 Hrs @ 30°C GB
 Failure Rate = _____ 0.135375



USA JMK Inc 15 Caldwell Dr. Amherst, NH 03031 PH: 603 886-4100 FX: 603 886-4115
 email: info@jmkfilters.com
 EUR JMK Inc Glasgow G13 1DN Scotland UK PH: 44-(0) 7785310729 Fax: 44-(0) 141 589 1884