

GaAs MMIC Power Amplifier 2.0 - 6.5 GHz

Rev. V7

Features

- Saturated Power: 30.5 dBm Typical
- Gain: 19 dB Typical
- Power Added Efficiency: 30%
- On-Chip Bias Network
- DC Decoupled RF Input and Output
- RoHS* Compliant

Description

The MAAM26100 is a GaAs MMIC two stage high efficiency power amplifier. The MAAM26100 is a fully monolithic design which eliminates the need for external circuitry in 50-ohm systems.

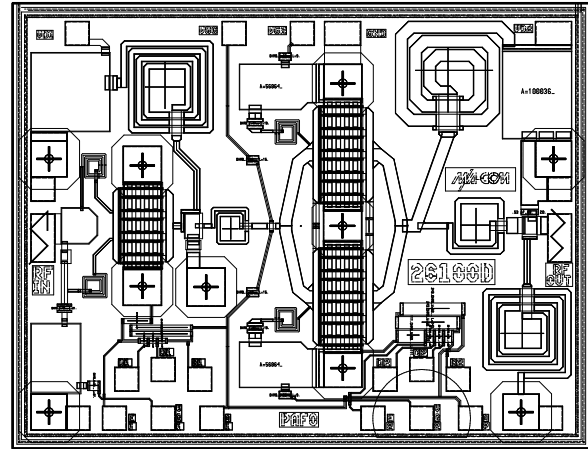
The MAAM26100 is ideally suited for driver amplifiers and transmitter outputs in UMTS applications, test equipment, electronic warfare jammers, missile subsystems and phased array radars.

The MAAM26100 is fabricated using a mature 0.5-micron gate length GaAs process. The process features full passivation for increased performance reliability.

Ordering Information

Part Number	Package
MAAM26100	Die

Die



Absolute Maximum Ratings ^{1,2}

Parameter	Absolute Maximum
V_{DD}	+9 V
V_{G1}, V_{G2}	-2.5 V to -0.8 V
V_{GG}^3	-6 V to -3 V
RF Input Power	+17 dBm
Channel Temperature	150°C
Storage Temperature	-65°C to +150°C

1. Exceeding any one or combination of these limits may cause permanent damage to this device and will void product warranty.
2. M/A-COM does not recommend sustained operation near these survivability limits.
3. V_{GG} rating applies when using the optional on-chip resistor network.

GaAs MMIC Power Amplifier 2.0 - 6.5 GHz

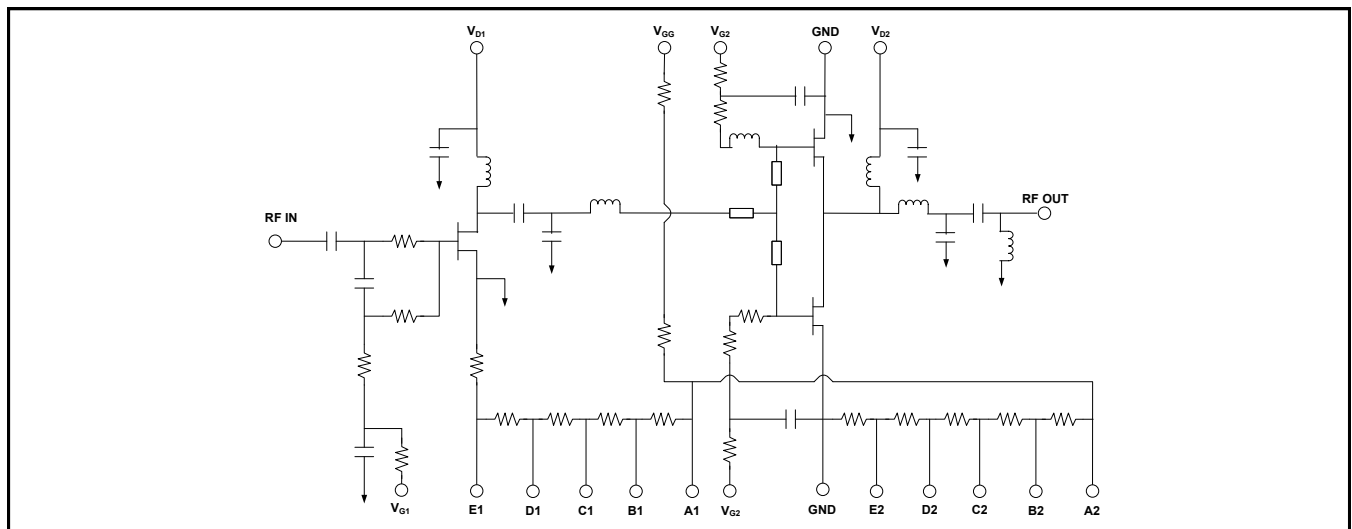
Rev. V7

Electrical Specifications: $T_A = 25^\circ\text{C}$, $Z_0 = 50\ \Omega$, $V_{DD} = +8\ \text{V}$, $V_{GG} = -1.3\ \text{V}$ nominal

Parameter	Test Conditions	Units	Min.	Typ.	Max.
Small Signal Gain	2 - 6 GHz	dB	15	19	—
Input VSWR	2 - 6 GHz	Ratio	—	2.0:1	—
Output VSWR	2 - 6 GHz	Ratio	—	2.2:1	—
Saturated Output Power	Input Power +14 dBm, 2 - 6 GHz	dBm	29	30.5	—
Output Power at 1 dB Gain Compression	2 - 6 GHz	dBm	—	28	—
Power Added Efficiency	—	%	—	30	—
Third Order Intercept	2 - 6 GHz	dBm	—	39	—
Reverse Isolation	2 - 6 GHz	dB	—	30	—
Bias Current	No RF $P_{IN} = +14\ \text{dBm}$	mA	—	390	—
		mA	—	475	650
Thermal Resistance ⁴	—	$^\circ\text{C/W}$	—	14	—

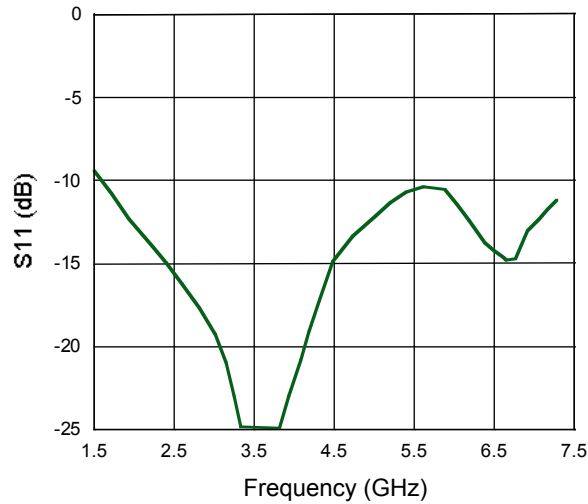
4. Attachment method not included.

Schematic

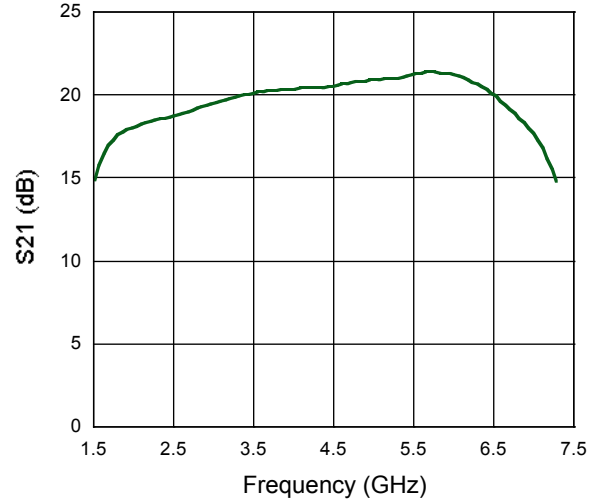


Typical Performance Curves

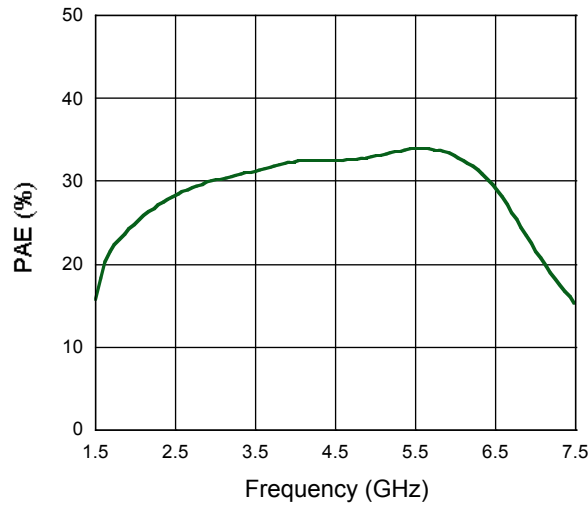
Input Return Loss



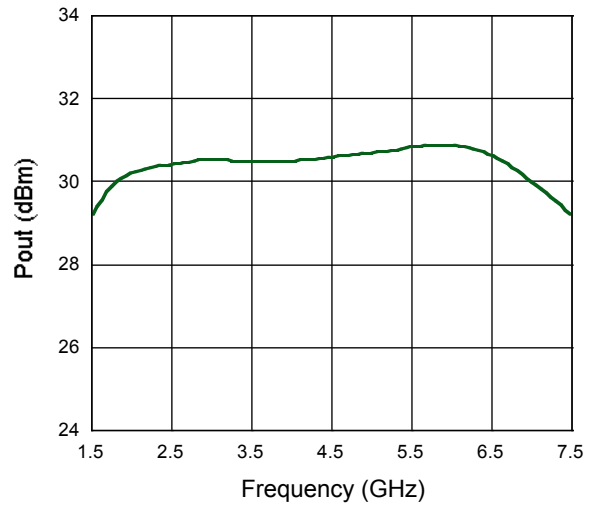
Gain



Power Added Efficiency @ $P_{IN} = +14$ dBm



Output Power @ $P_{IN} = +14$ dBm



Handling Procedures

Permanent damage to the MAAM26100 may occur if the following precautions are not adhered to:

- A. Cleanliness - The MAAM26100 should be handled in a clean environment. DO NOT attempt to clean assembly after the MAAM26100 is installed.
- B. Static Sensitivity - All die handling equipment and personnel should comply with DOD-STD-1686 Class I.
- C. Transients - Avoid instrument and power supply transients while bias is connected to the MAAM26100. Use shielded signal and bias cables to minimize inductive pick-up.
- D. General Handling - DO NOT touch the surface of the die. It is recommended that the MAAM26100 die be handled along the long side with a sharp pair of tweezers.

Mounting

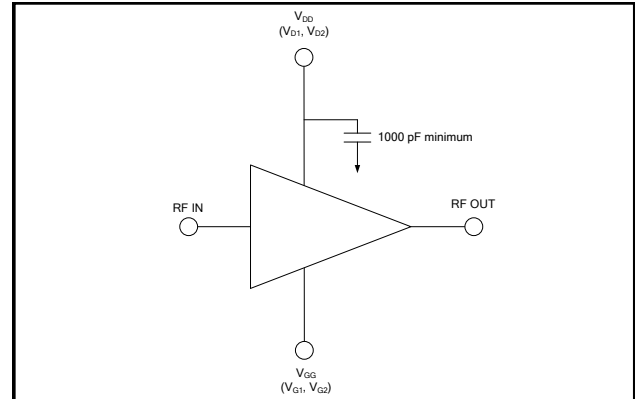
The MAAM26100 is back-metallized with Pd/Ni/Au (100/1,000/30,000Å) metallization. It is recommended that the die be mounted with Au/Sn eutectic preforms. The attachment surface should be clean and flat.

- A. An 80/20 preform is recommended with a work surface temperature of approximately 255°C and a tool temperature of 265°C. When hot 90/5 nitrogen/hydrogen gas is applied, solder temperature should be approximately 290°C.
- B. DO NOT expose the MAAM26100 to a temperature greater than 320°C for more than 20 seconds. No more than 3 seconds of scrubbing should be required for attachment.

Bonding

- A. Ball or wedge bond with 1.0 mil diameter gold wire of 3.0 mil x 0.5 mil ribbon. Thermosonic bonding with a nominal stage temperature of 150°C and a ball bonding force of 40 to 50 grams or wedge bonding force of 18 to 22 grams is recommended. Ultrasonic energy and time should be adjusted to the minimum levels necessary to achieve reliable bonds.
- B. Bonds should be started on the die and terminated on the package.
- C. Bonding pads are 4.0 x 4.0 mils minimum.

Typical Bias Configuration ^{5,6}



5. Nominal bias is obtained by first connecting -1.3 volts to pads V_{G1} and V_{G2} followed by connecting +8 volts to pads V_{D1} and V_{D2} (note sequence).
6. The recommended V_{DD} range is +6 to +9 volts.

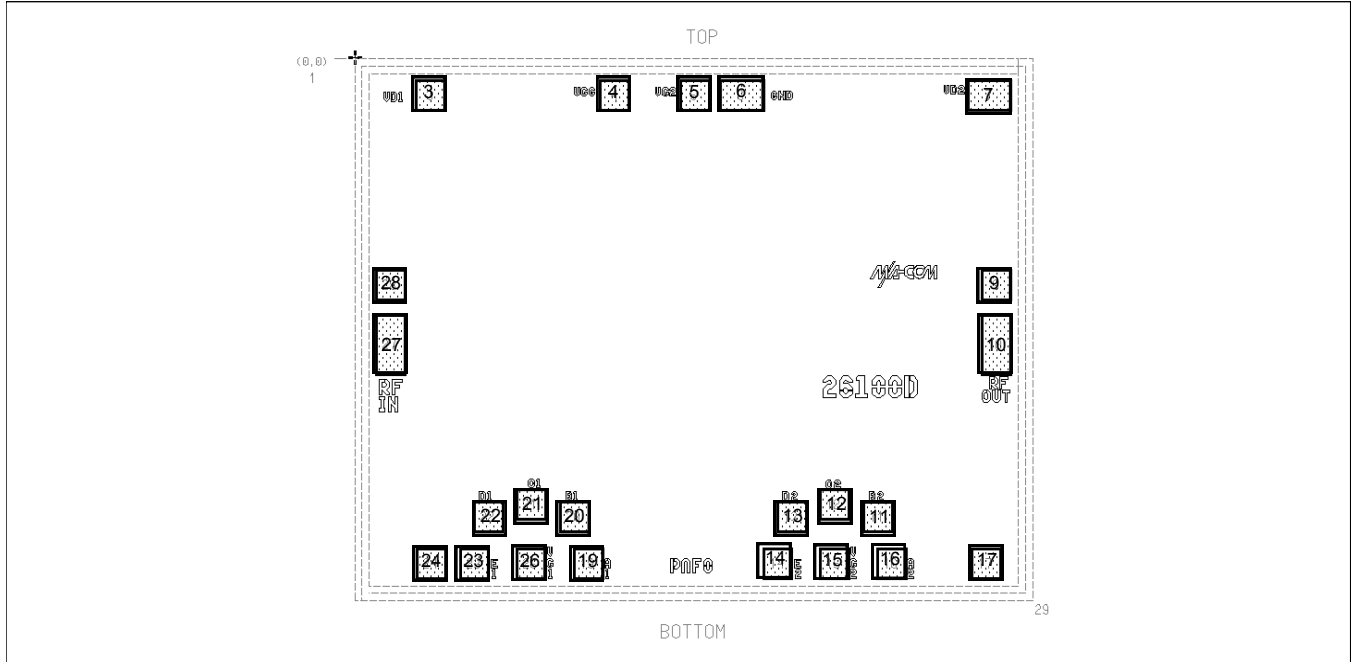
Bonding Table ⁷

Bin #	Bond Pads
1	E1 to V_{G1} , E2 to V_{G2}
2	D1 to V_{G1} , D2 to V_{G2}
3	C1 to V_{G1} , C2 to V_{G2}
4	B1 to V_{G1} , B2 to V_{G2}

7. Optional on-chip resistor networks are used by connecting a nominal -5 volts to the pad V_{GG} then connecting pads per the bonding table.

Each gel pack is labeled with a CD # which corresponds to a Bin # in the bonding table. For example, CD1 on the gel pack corresponds to Bin 1, which means that pad E1 must be connected to pad V_{G1} and pad E2 must be connected to pad V_{G2} .

Outline Drawing



Pad Configuration ⁸

Die Size: 2.342 x 1.802 x 0.102 mm (nominal)

Pad No.	X (mm) nominal	Y (mm) nominal	Pad Size (mm)	Description
3	0	0	.10 x .10	VD1
4	0.6435	0	.10 x .10	VGG
5	0.9235	0	.10 x .10	VG2
6	1.0885	0	.15 x .10	GND
7	1.954	0	.15 x .10	VD2
9	1.979	0.640	.10 x .10	GND
10	1.979	0.840	.10 x .20	RF _{OUT}
11	1.564	1.420	.10 x .10	B2
12	1.413	1.380	.10 x .10	C2
13	1.263	1.420	.10 x .10	D2
14	1.213	1.580	.15 x .10	E2
15	1.413	1.580	.15 x .10	VG2

Pad No.	X (mm) nominal	Y (mm) nominal	Pad Size (mm)	Description
16	1.613	1.580	.10 x .10	A2
17	1.942	1.580	.10 x .10	GND
19	0.5525	1.580	.10 x .10	A1
20	0.5025	1.420	.10 x .10	B1
21	0.3525	1.380	.10 x .10	C1
22	0.2025	1.420	.10 x .10	D1
23	0.1525	1.580	.10 x .10	E1
24	0.0025	1.580	.10 x .10	GND
26	0.3525	1.580	.10 x .10	VG1
27	-0.141	0.840	.10 x .20	RF _{IN}
28	-0.141	0.640	.10 x .10	GND

8. All X,Y locations are at pad center.

M/A-COM Technology Solutions Inc. All rights reserved.

Information in this document is provided in connection with M/A-COM Technology Solutions Inc ("MACOM") products. These materials are provided by MACOM as a service to its customers and may be used for informational purposes only. Except as provided in MACOM's Terms and Conditions of Sale for such products or in any separate agreement related to this document, MACOM assumes no liability whatsoever. MACOM assumes no responsibility for errors or omissions in these materials. MACOM may make changes to specifications and product descriptions at any time, without notice. MACOM makes no commitment to update the information and shall have no responsibility whatsoever for conflicts or incompatibilities arising from future changes to its specifications and product descriptions. No license, express or implied, by estoppel or otherwise, to any intellectual property rights is granted by this document.

THESE MATERIALS ARE PROVIDED "AS IS" WITHOUT WARRANTY OF ANY KIND, EITHER EXPRESS OR IMPLIED, RELATING TO SALE AND/OR USE OF MACOM PRODUCTS INCLUDING LIABILITY OR WARRANTIES RELATING TO FITNESS FOR A PARTICULAR PURPOSE, CONSEQUENTIAL OR INCIDENTAL DAMAGES, MERCHANTABILITY, OR INFRINGEMENT OF ANY PATENT, COPYRIGHT OR OTHER INTELLECTUAL PROPERTY RIGHT. MACOM FURTHER DOES NOT WARRANT THE ACCURACY OR COMPLETENESS OF THE INFORMATION, TEXT, GRAPHICS OR OTHER ITEMS CONTAINED WITHIN THESE MATERIALS. MACOM SHALL NOT BE LIABLE FOR ANY SPECIAL, INDIRECT, INCIDENTAL, OR CONSEQUENTIAL DAMAGES, INCLUDING WITHOUT LIMITATION, LOST REVENUES OR LOST PROFITS, WHICH MAY RESULT FROM THE USE OF THESE MATERIALS.

MACOM products are not intended for use in medical, lifesaving or life sustaining applications. MACOM customers using or selling MACOM products for use in such applications do so at their own risk and agree to fully indemnify MACOM for any damages resulting from such improper use or sale.