

40 PIN SMD ETHERNET 10/100 BASE –TX HIGH SPEED LAN MAGNETICS

P/N: 40ST1040AXMPN LF DATA SHEET

Feature



- IEEE 802.3 Ethernet compatible .
- 100 Base-TX Surface mountable .
- Design for multi-port repeater and Ethernet switching HUB application .
- Customer designs available for specific application.
- Comply with ROHS & Halogen Free requirements.
- Operating temperature range : -40 to +85 .
- Storage temperature range: -40 to +85 .

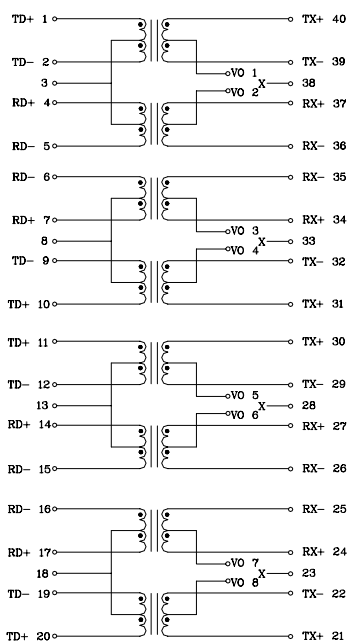
Electrical Specifications @ 25°C

Part Number	Turns Ratio (±5%)		OCL(uH Min) @100KHz/0.1V with 8mA DC Bias	L.L (uH Max)	C _{www} (pF Max)	HI-POT (Vrms)
	TX	RX				
40ST1040AXMPN LF	1CT:1CT	1CT:1CT	350	0.4	28	1500

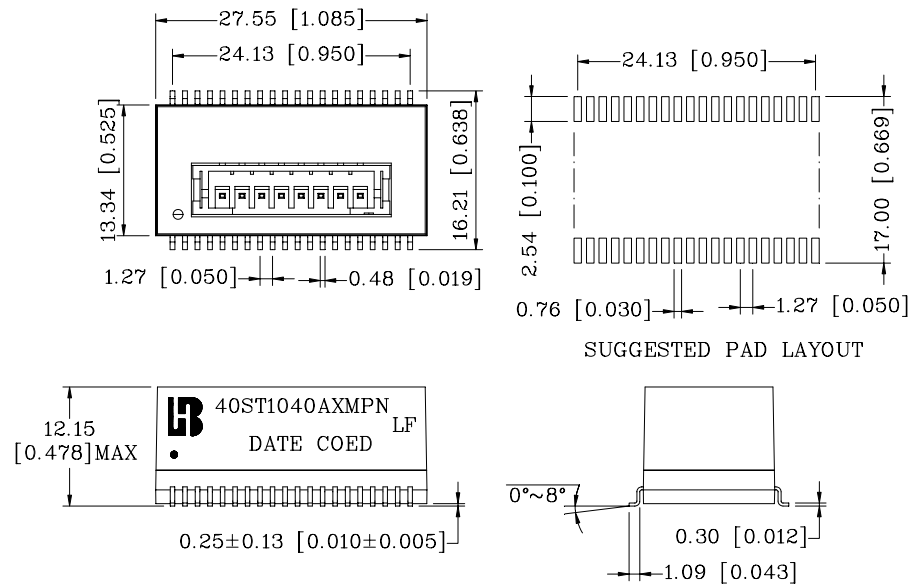
Continue

Part Number	Insertion Loss (dB Max)	Return Loss (dB Min)			Cross talk (dB Min)		DCMR (dB Min)		
		0.3-100MHz	0.3-30MHz	30-60MHz	60-80MHz	0.3-60MHz	60-100MHz	60MHz	100MHz
40ST1040AXMPN LF	-1.15	-16	-12	-10	-40	-35	-37	-28	-25

Schematic



Mechanical

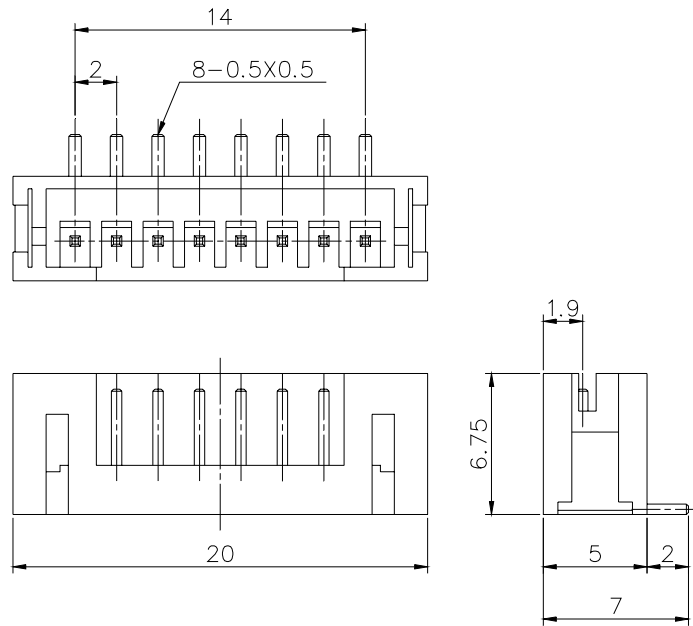


Units: mm[Inches] XX.X0 : ±0.25[0.010]
0.XX : ±0.05[0.002]

40 PIN SMD ETHERNET 10/100 BASE -TX HIGH SPEED LAN MAGNETICS

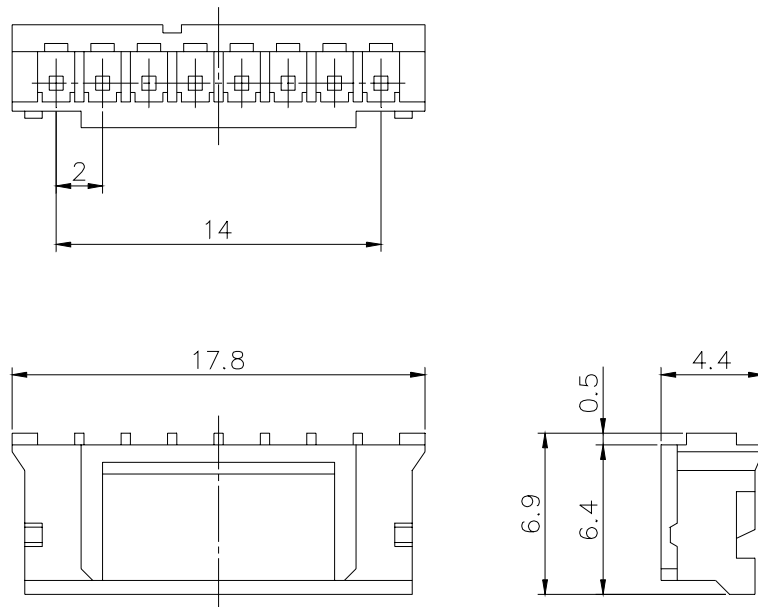
P/N: 40ST1040AXMPN LF DATA SHEET

Connector 1



Units: mm[Inches] Tolerances: xx.x0±0.25[0.010]
0.xx±0.05[0.002]

Connector 2



Units: mm[Inches] Tolerances: xx.x0±0.25[0.010]
0.xx±0.05[0.002]