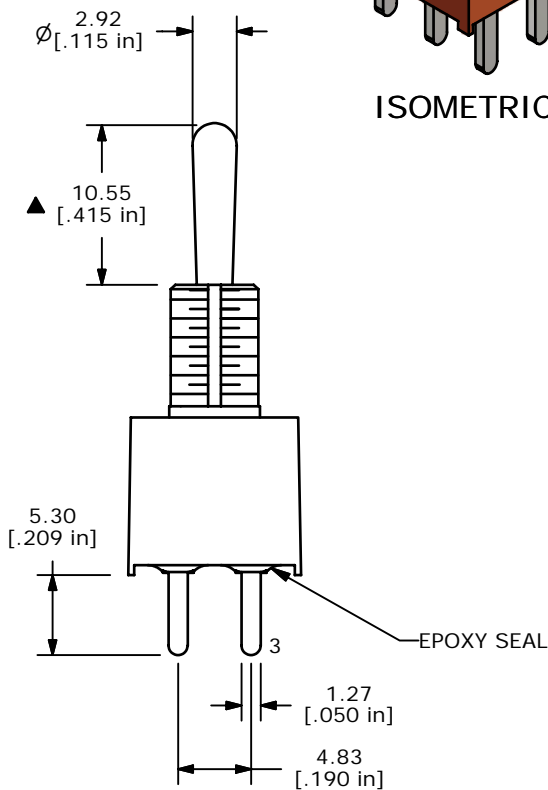
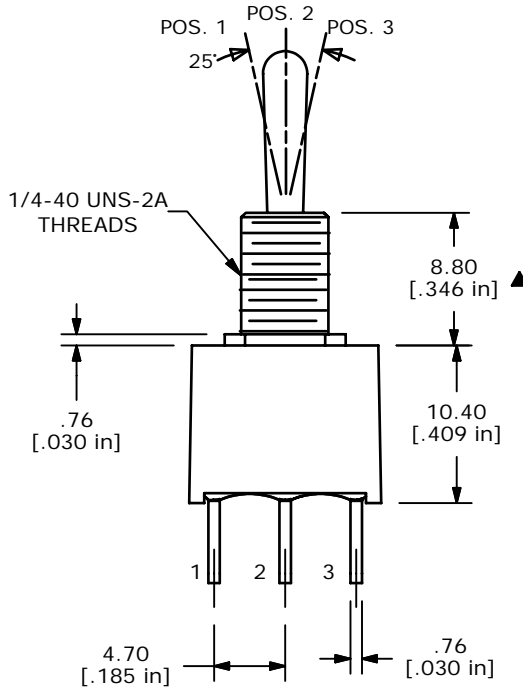
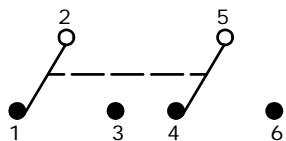


SWITCH FUNCTION		
POS. 1	POS. 2	POS. 3
ON	NONE	ON
2-3, 5-6	N/A	2-1, 5-4



NOTE:

1. ALL DIMENSIONS IN MM [INCH].
2. GENERAL TOLERANCE: X.X=±0.4  
X.XX=±0.25
3. TERMINAL NUMBERS FOR REF ONLY.
- ▲ 4. PLATING MATERIAL: GOLD
5. RATING: 0.4 VOLT-AMPS(VA) MAX. @20V MAX.  
(AC OR DC)
6. ELECTRIC LIFE: 30,000 MAKE-AND-BREAK CYCLES  
AT FULL LOAD.
7. INSULATION RESISTANCE: 1,000 MEGA-OHM MIN.
8. DIELECTRIC STRENGTH: 1,000 V RMS @SEA LEVEL.
9. OPERATING TEMP.: -30°C to 85°C
10. 2002/95/EC (ROHS) COMPLIANT.
11. ▲ DENOTES CRITICAL PARAMETER.

**E-SWITCH®**

B	16142	UPDATE DIMENSIONS	6/14/06	CT
A	15952	RELEASED FOR PRODUCTION	4/10/06	CT
REV	PCR NO	DESCRIPTION	DATE	BY

TITLE 100AWDP1T1B1M2RE				
SCALE	DATE	DR	DWG	REV
2:1	4/10/2006	CT	T102274	B

THE INFORMATION CONTAINED IN THIS DOCUMENT IS PROPRIETARY TO E-SWITCH AND IS NOT TO BE COPIED OR TRANSFERRED