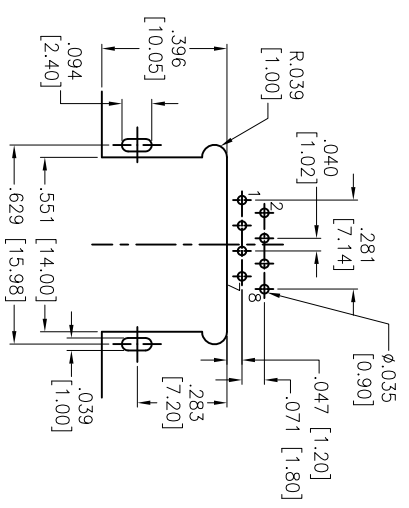
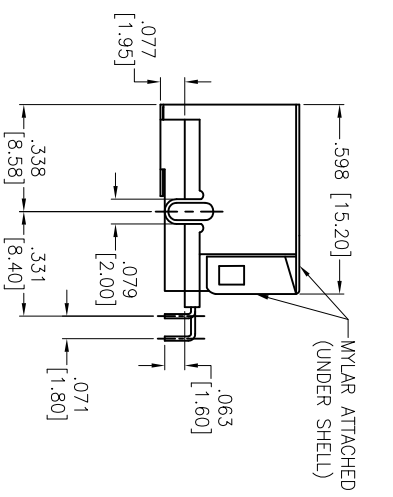
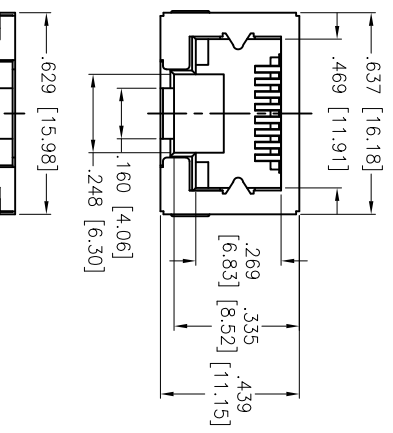
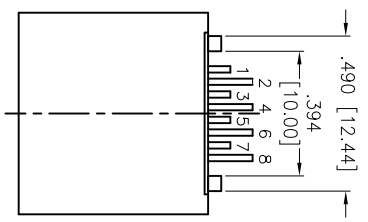


Rev	AWO #	Description	Date	Appr
-		RELEASED	4/29/14	

6 5 4 3 2 1

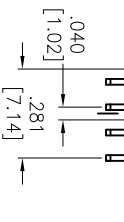
APPROVED: \_\_\_\_\_

DATE: \_\_\_\_\_ TITLE: \_\_\_\_\_



RECOMMENDED PCB LAYOUT

X	PLATING
0	15 µin Gold
1	30 µin Gold
2	50 µin Gold
6	6 µin Gold



**SPECIFICATIONS:**

**Material:**

Insulator: Hi-temp thermoplastic, rated UL 94V-0

Insulator color: Black

Contacts: Phosphor Bronze

Shield: Brass, Nickel plated

**Contact Plating:**

Gold over Nickel underplate on contact area,  
Tin over Copper underplate on tails

(See chart for thickness).

**Electrical:**

Operating voltage: 125 VAC max

Current rating: 1.5 Amps max

Contact Resistance: 30 mohms max.

Insulation resistance: 1,000 Mohms min

Dielectric withstanding voltage: 1,000 VAC for 1 minute

**Temperature Rating:**

Operating temperature: -40°C to +85°C

**Environmental:**

Lead free, RoHS compliant.

**ADAM TECH**

909 Rahway Avenue, Union, NJ 07083  
Phone: 908-687-5000 Fax: 908-687-5710

TITLE: MODULAR TELEPHONE JACK, FULL SHIELD, SINGLE ENTRY, REVERSE TYPE

UNLESS OTHERWISE SPECIFIED ALL DIMENSIONS ARE INCHES [MM]	
TOLERANCES: EXCEPT AS NOTED	
INCHES	HOLDS
.X ± .10	ØXX ± .10
.XX ± .020	ØXXX ± .015
.XXX ± .015	ØXXXX ± .010
APPROVALS	
DRAWN	HR
CHECKED	SC
APPROVED	DATE
4/29/14	4/29/14

SIZE	PART NO.	REV.
X	MTJ-88CPX1-RF-FS-HT	-
REF:	S00065T	SCALE: NTS
SHEET 1 OF 1		



6 5 4 3 2 1