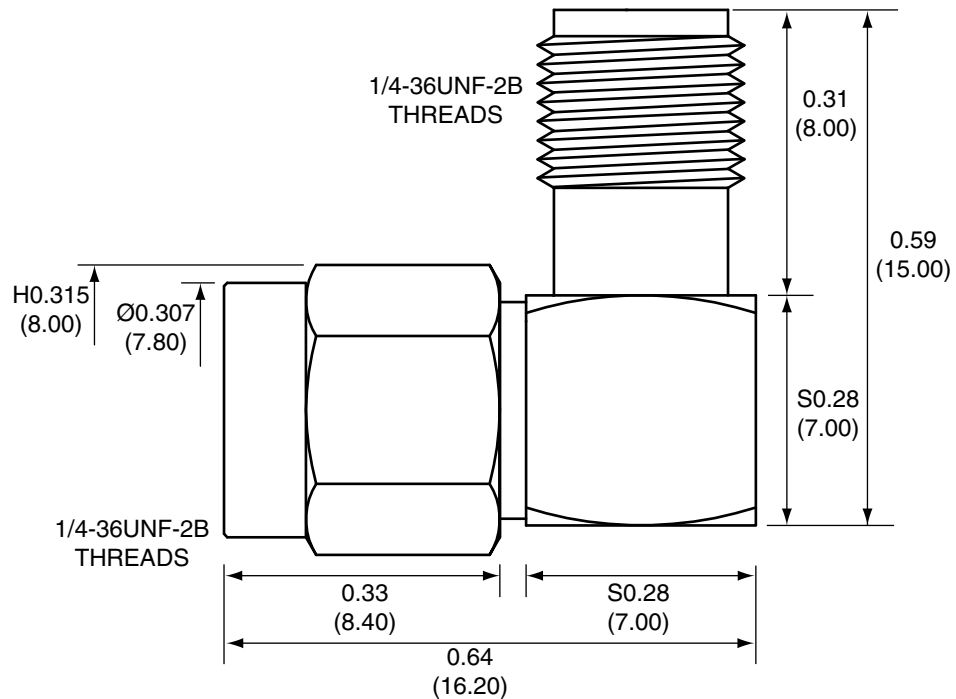


1		
Description	Material	Finish
Body	Brass	Nickel
Pin	PH Bronze	Gold
Insulation	Teflon	Teflon
Gasket	SI Rubber	Rubber
Washer	PH Bronze	Nickel

SIDE VIEW



Title SMA MALE TO SMA FEMALE  
RIGHT ANGLE ADAPTOR

Part No. CONSMA010 Revision: 1.0

Dimensions: INCHES (mm) Date: 6/2/2006

CONNECTOR CITY  
159 ORT LANE  
MERLIN, OR 97532  
PH (541)-471-6256  
FAX (541)-471-6251

Sheet 1 of 1

**CONNECTOR CITY**  
THE VALUE OF CONNECTIONS