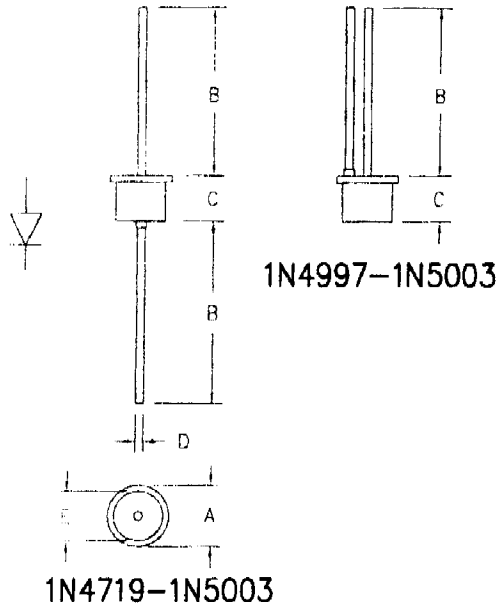


# Silicon Rectifiers

## 1N4719-1N4725, 1N4997-1N5003



Dim.	Inches		Millimeter		Notes
	Minimum	Maximum	Minimum	Maximum	
A	---	.450	---	11.43	Dia.
B	.980	---	24.89	---	
C	---	.300	---	7.62	
D	.046	.056	1.17	1.42	Dia.
E	---	.350	---	8.89	Dia.

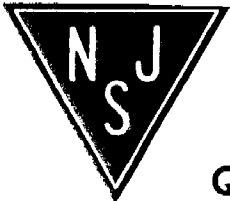
Catalog Number	Peak Reverse Voltage
1N4719, 1N4997	50V
1N4720, 1N4998	100V
1N4721, 1N4999	200V
1N4722, 1N5000	400V
1N4723, 1N5001	600V
1N4724, 1N5002	800V
1N4725, 1N5003	1000V

- High Surge Capability
- 175°C Junction Temperature
- VRRM 50 to 1000 Volts
- 3 Amp Current Rating
- Hermetically Sealed

Electrical Characteristics		
Average forward current	$I_F(AV)$ 3.0 Amps	$T_A = 119^\circ C$ , Square wave, $R_{\theta J L} = 12^\circ C/W$ , $L = 1/4"$
Maximum surge current	$I_{FSM}$ 300 Amps	8.3ms, half sine, $T_J = 175^\circ C$
Max peak forward voltage	VFM 1.0 Volts	$I_{FM} = 3.0A; T_J = 25^\circ C^*$
Max peak reverse current	$I_{RM}$ 25 $\mu A$	$V_{RRM}, T_J = 25^\circ C$

\*Pulse test: Pulse width 300  $\mu sec$ . Duty cycle 2%

Thermal and Mechanical Characteristics		
Storage temperature range	$T_{STG}$	$-65^\circ C$ to $175^\circ C$
Operating junction temp range	$T_J$	$-65^\circ C$ to $175^\circ C$
Maximum thermal resistance	$L = 1/4"$ $R_{\theta J L}$	$12^\circ C/W$ Junction to Lead
Weight		08 ounces (2.3 grams) typical



NJ Semi-Conductors reserves the right to change test conditions, parameter limits and package dimensions without notice. Information furnished by NJ Semi-Conductors is believed to be both accurate and reliable at the time of going to press. However, NJ Semi-Conductors assumes no responsibility for any errors or omissions discovered in its use. NJ Semi-Conductors encourages customers to verify that datasheets are current before placing orders.

**Quality Semi-Conductors**