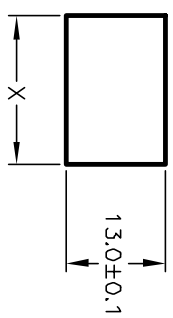
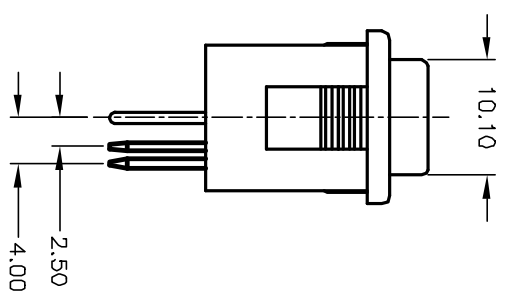
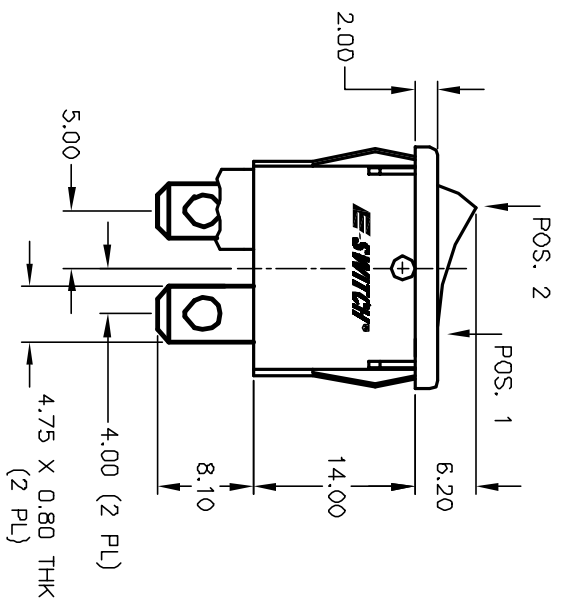


PANEL THICKNESS	X
0.75-1.25	19.20
1.25-2.0	19.40
2.0-3.0	19.60



PANEL CUTOUT

NOT TO SCALE



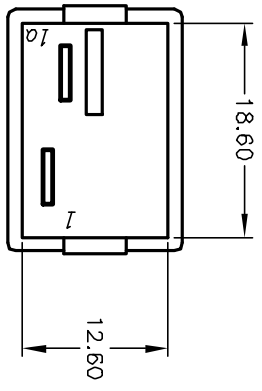
CIRCUIT: SPST

SWITCH FUNCTION	
POS. 1	POS. 2
DN	DF
1-1a	DPEN

CONTACT CONFIGURATION

NOTES:

1. ALL DIMENSIONS IN MM
2. GENERAL TOLERANCE: X.X=±0.4  
X.XX=±0.25
3. RATING: 6A @250VAC; 9A @125VAC (UL/CSA)  
4(1) A @250VAC (VDE, SEMEKO, NEMKO, DEMKO, FIMKO)
4. CONTACT RESISTANCE: 20 MILLIOHMS TYP INITIAL.
5. INSULATION RESISTANCE: 1000 MEGAOHMS
6. DIELECTRIC STRENGTHS: 1500V RMS MIN. @SEA LEVEL.  
3000V RMS @SEA LEVEL.
7. MECHANICAL LIFE: 50,000 CYCLES.
8. ELECTRICAL LIFE: 10,000 CYCLES.



**E-SWITCH®**

C	11593	REVISED PART DESCRIPTION	8/2/01	CJB
REV.	ECN No.	DESCRIPTION	DATE	CHKD

TITLE	R1973 A BLK BLK EF 0
SCALE	1.5:1
DATE	8/2/01
DR	CJB
DWG	M400005
REV	C

THE INFORMATION CONTAINED IN THIS DOCUMENT IS PROPRIETARY TO E-SWITCH AND IS NOT TO BE COPIED OR TRANSFERRED