



ON Semiconductor®

<http://onsemi.com>

LV5234V

Bi-CMOS IC

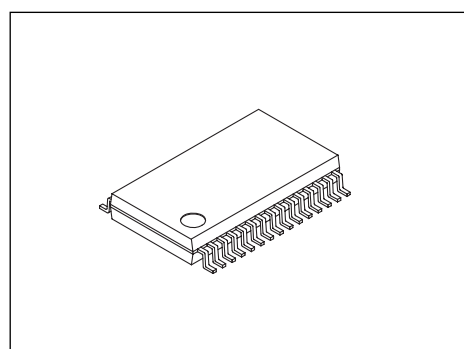
9-channel LED Driver

Overview

The LV5234V is a 9-channel LED driver IC that is capable of switching between constant-current output and open drain output. It enables 3-wire serial bus control (address designation)/I²C serial bus control to be set arbitrarily using an external pin. Also possible are 9-channel LED ON/OFF control and the setting of the PWM luminance in 256 steps. The device also has a built-in fade-in/fade-out function. Up to 32 driver ICs can be connected using the slave address setting pins.

Function

- 9-channel output constant-current LED driver/open drain output LED driver (selected by using an external pin)
 - Supports separate ON/OFF setting for each LED output, high withstand voltage (V_{OUT}<42V)
 - In the constant-current mode (OUTSCT: L), the reference current is set by the value of resistor connected to the external pin (RT1).
 - Built-in D/A (5 bits) for switching current level ... 0.96mA to 30.7mA (RGB drive)
 - Constant current (I_O max=50mA) for full-color LEDs × 9 channels
 - In the open drain mode (OUTSCT: H), high current drive (I_O max=100mA) × 9 channels
- Luminance adjustment using internal PWM control (256 steps)
 - 8-bit PWM luminance dimming (0% to 99.6%)
 - 3-phase PWM
- Fade-in/fade-out function (PWM control priority), supporting synchronous connection
 - Supports separate fade ON/OFF for each LED output (fade time common for all channels)
 - Interrupt control possible for fade function
- Selection of 3-wire/I²C serial bus control signals enabled (switching using an external pin)
 - Slave addressing (5 bits, connection of up to 32 driver ICs possible)
- Low current consumption
- Output malfunction protection circuits (thermal protection function, UVLO detection protection function)



SSOP30(275mil)

* I²C Bus is a trademark of Philips Corporation.

ORDERING INFORMATION

See detailed ordering and shipping information on page 24 of this data sheet.

LV5234V

Specifications

Absolute Maximum Ratings at $T_a = 25^\circ\text{C}$

Parameter	Symbol	Conditions	Ratings	Unit
Maximum supply voltage	V_{CC} max		6	V
Output voltage	V_O max	LED off	42	V
Output current	I_O max		100	mA
Allowable power dissipation	P_d max	$T_a \leq 25^\circ\text{C}^*$	0.84	W
Operating temperature	T_{opr}		-25 to +75	$^\circ\text{C}$
Storage temperature	T_{stg}		-40 to +125	$^\circ\text{C}$

* Specified board : 114.3mm × 76.1mm × 1.6mm, glass epoxy board.

[Warning]: If you should intend to use this IC continuously under high temperature, high current, high voltage, or drastic temperature change, even if it is used within the range of absolute maximum ratings or operating conditions, there is a possibility of decrease reliability. Please contact us for a confirmation.

Stresses exceeding those listed in the Maximum Ratings table may damage the device. If any of these limits are exceeded, device functionality should not be assumed, damage may occur and reliability may be affected.

Recommended Operating Conditions at $T_a = 25^\circ\text{C}$

Parameter	Symbol	Conditions	Ratings	Unit
Recommended supply voltage	V_{CC}	SV_{CC}	5.0	V
Operating supply voltage range	V_{CC} op	SV_{CC}	4.5 to 5.5	V

Functional operation above the stresses listed in the Recommended Operating Ranges is not implied. Extended exposure to stresses beyond the Recommended Operating Ranges limits may affect device reliability.

Electrical Characteristics at $T_a = 25^\circ\text{C}$, $V_{CC} = 5\text{V}$

Parameter	Symbol	Conditions	Ratings			Unit
			min	typ	max	
Consumption current	I_{CC2}	LED off		3.5	5.5	mA
Oscillator frequency	F_{osc}		900	1000	1100	kHz
Reference current pin voltage	V_{RT}	$RT1=22k\Omega$	0.92	0.98	1.04	V
MAX output current	ΔI_L	$V_O=0.7$ to 4.0V (Same channel line regulation)	-10			%
Between bits output current	ΔI_{OL}	$I_O=30.7\text{mA}$ (Between bits pairing characteristics)			5	%
Maximum LED driver output current 1	I_{MAX1}	LED OUTSCT= L	28.8	30.7	32.6	mA
LEDO output on resistance	R_{on1}	LED1, LED2, LED3 ($I_O = 100\text{mA}$)		4	10	Ω
OFF leak current	I_{leak}	LED off			10	μA
Driver output malfunction protection voltage	V_t	SV_{CC}	2.58	2.70	2.82	V

Product parametric performance is indicated in the Electrical Characteristics for the listed test conditions, unless otherwise noted. Product performance may not be indicated by the Electrical Characteristics if operated under different conditions.

Control circuit at $T_a = 25^\circ\text{C}$, $V_{CC} = 5.0\text{V}$

Parameter	Symbol	Conditions	Ratings			Unit
			min	typ	max	
H level 1	V_{H1}	Input H level OUTSCT	4.7		5	V
L level 1	V_{L1}	Input L level OUTSCT	-0.2		0.3	V
H level 2	V_{H2}	Input H level CTLSCT	$0.7 \times V_{CC}$		V_{CC}	V
L level 2	V_{L2}	Input L level CTLSCT	-0.2		0.3	V
H level 3	V_{H3}	Input H level RESET	$0.8 \times V_{CC}$		V_{CC}	V
L level 3	V_{L3}	Input L level RESET	-0.2		$0.2 \times V_{CC}$	V
H level 4	V_{H4}	Input H level SCLK, SDATA, SDEN	$0.8 \times V_{CC}$		V_{CC}	V
L level 4	V_{L4}	Input L level SCLK, SDATA, SDEN	-0.2		$0.2 \times V_{CC}$	V
H level 5	V_{H7}	Input H level A0 to A4	$0.7 \times V_{CC}$		V_{CC}	V
L level 5	V_{L7}	Input L level A0 to A4	-0.2		0.3	V

LV5234V

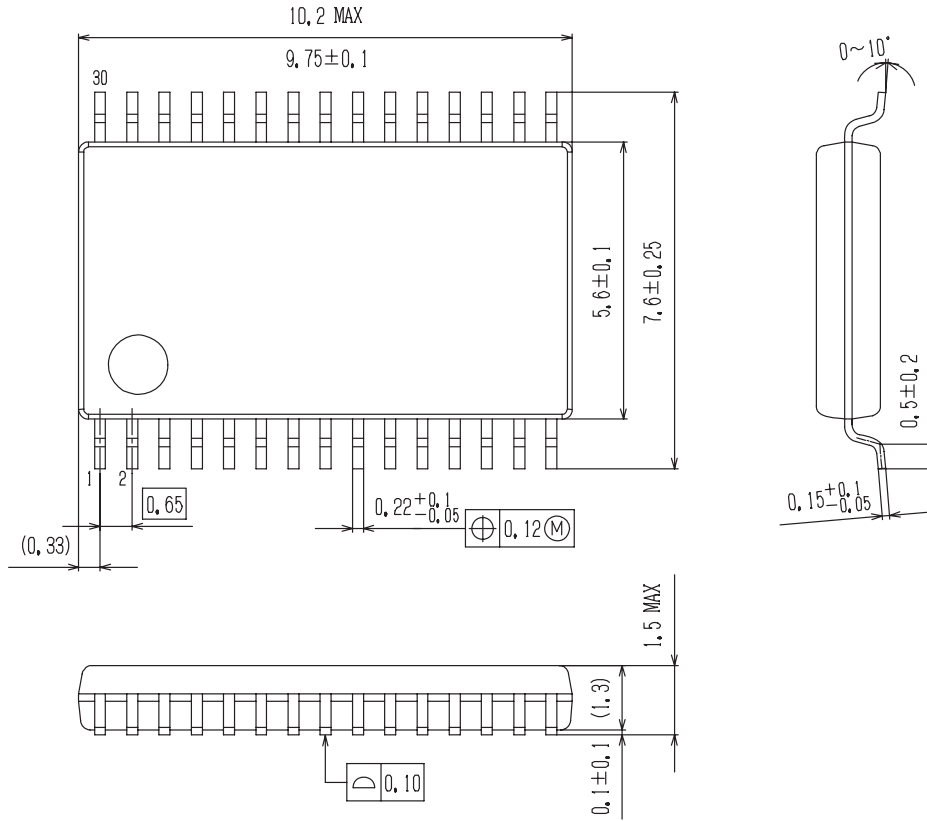
Package Dimensions

unit : mm

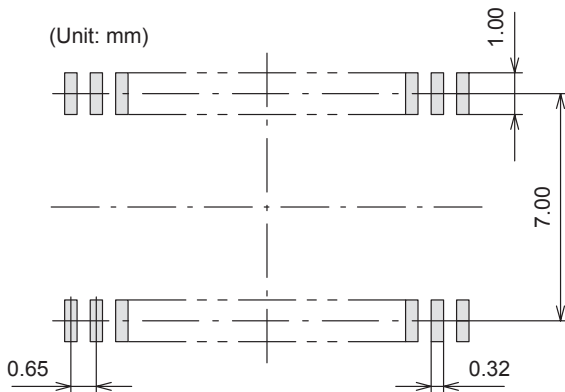
SSOP30 (275mil)

CASE 565AT

ISSUE A



SOLDERING FOOTPRINT*



GENERIC MARKING DIAGRAM*



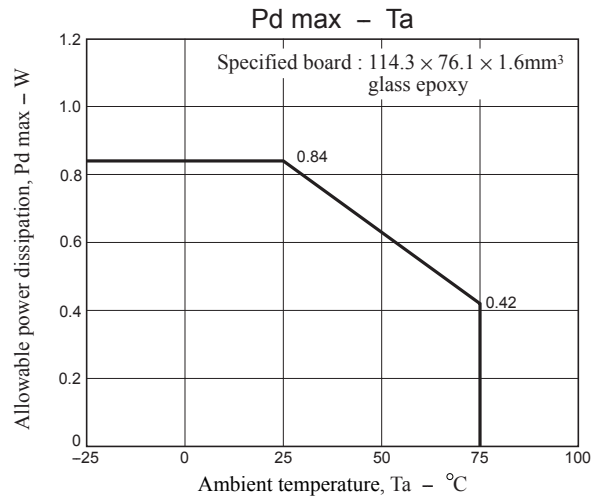
XXXXXX = Specific Device Code
 Y = Year
 M = Month
 DDD = Additional Traceability Data

NOTE: The measurements are not to guarantee but for reference only.

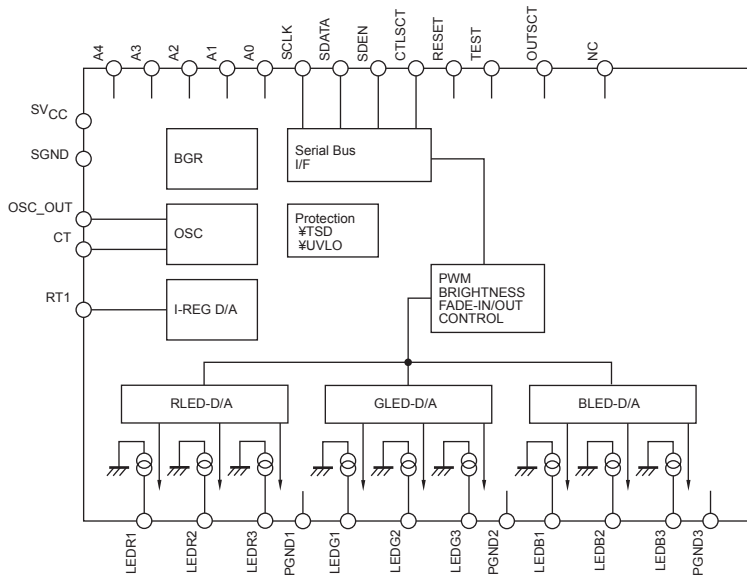
*For additional information on our Pb-Free strategy and soldering details, please download the ON Semiconductor Soldering and Mounting Techniques Reference Manual, SOLDERRM/D.

*This information is generic. Please refer to device data sheet for actual part marking. Pb-Free indicator, "G" or microdot "▪", may or may not be present.

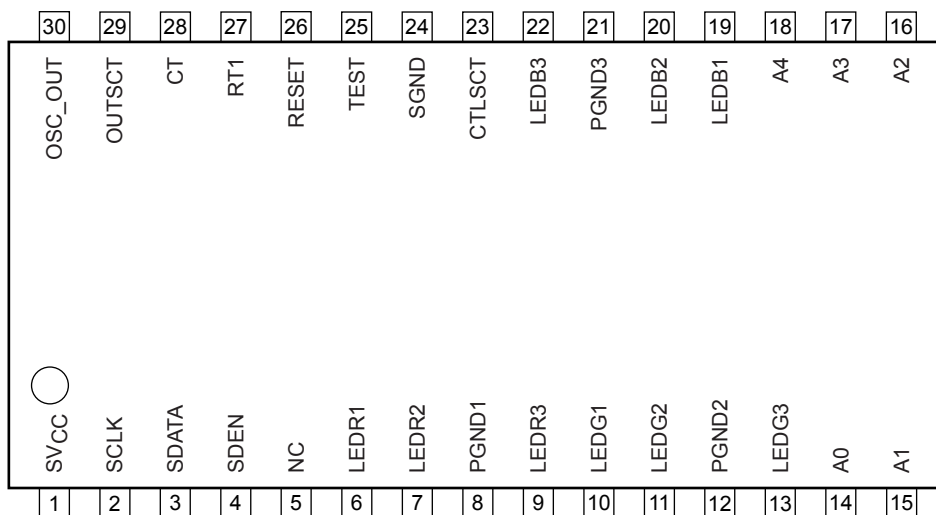
LV5234V



Block Diagram



Pin Assignment



Top view

LV5234V

Pin Descriptions

Pin No.	Pin name	I/O	Description
1	SV _{CC}	-	Power supply pin
2	SCLK	I	Serial clock signal input pin
3	SDATA	I	Serial data signal input pin
4	SDEN	I	Serial enable signal input pin
5	NC	-	No connection
6	LEDR1	O	LEDR1 output pin
7	LEDR2	O	LEDR2 output pin
8	PGND1	-	GND pin dedicated for LED driver
9	LEDR3	O	LEDR3 output pin
10	LEDG1	O	LEDG1 output pin
11	LEDG2	O	LEDG2 output pin
12	PGND2	-	GND pin dedicated for LED driver
13	LEDG3	O	LEDG3 output pin
14	A0	I	Slave address input pin A0
15	A1	I	Slave address input pin A1
16	A2	I	Slave address input pin A2
17	A3	I	Slave address input pin A3
18	A4	I	Slave address input pin A4
19	LEDB1	O	LEDB1 output pin
20	LEDB2	O	LEDB2 output pin
21	PGND3	-	GND pin dedicated for LED driver
22	LEDB3	O	LEDB3 output pin
23	CTL _{SCT}	I	3-wire serial bus/I ² C serial bus selecting control pin (L: 3-wire serial, H: I ² C)
24	SGND	-	Analog circuit GND pin
25	TEST	I	Test pin (connected to GND)
26	RESET	I	Reset signal input pin
27	RT1	O	LED current setting resistor connection pin 1
28	CT	O	Oscillation frequency setting capacitor connection pin
29	OUT _{SCT}	I	Output type switching control pin L: Constant-current output H: Open drain output
30	OSC_OUT	O	Oscillator output pin (synchronous connection)

OUT_{SCT} Settings at SV_{CC}=5.0V

	LED Driver Output Pin
OUT _{SCT} pin	LED1, LED2, LED3
L=-0.2 to 0.3V	Constant current output Built-in current value switching D/A (5 bits) 0.96mA to 30.7mA, RT1=22kΩ (f=1MHz)
H=4.7 to 5.0V	Open drain output Current value is determined by external limiting resistor. RON=4Ω

Pin Functions

Pin No.	Pin Name	Pin function	Equivalent Circuit
1	SVCC	Power supply pin	
2	SCLK	Serial clock signal input pin	
3	SDATA	Serial data signal input pin	
4	SDEN	Serial enable signal input pin	
14	A0	Slave address setting pin A0	
15	A1	Slave address setting pin A1	
16	A2	Slave address setting pin A2	
17	A3	Slave address setting pin A3	
18	A4	Slave address setting pin A4	
23	CTLSCT	Serial bus communication setting pin When set to low: The 3-wire serial bus signals are set as the input signals. When set to high: The I ² C serial bus signals are set as the input signals.	
29	OUTSCT	LED driver output type setting pin When set to low: Constant-current output is set for the LED driver. When set to high: Open drain output is set for the LED driver.	
24	SGND	GND pin	
25	TEST	Test pin This pin must always be connected to GND.	
26	RESET	Reset signal input pin Reset status when set to low.	
27	RT1	Reference current setting resistor connection pin. By connecting the external register between this pin and GND, the reference current is generated. The pin voltage is approximately 0.98V. By changing the current level, it is possible to change the oscillator frequency and LED driver current value (in the constant-current mode).	

Continued on next page.

LV5234V

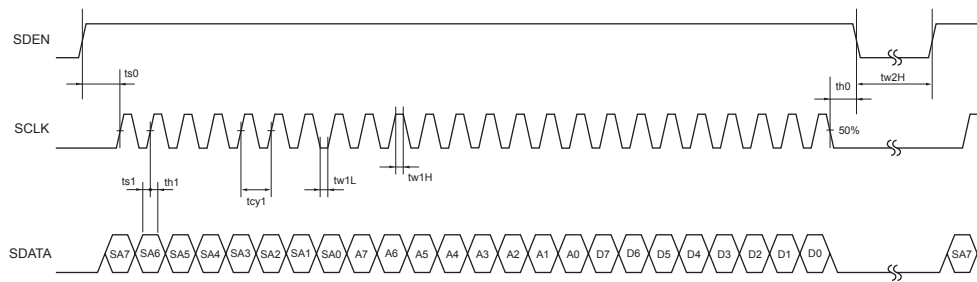
Continued from preceding page.

Pin No.	Pin Name	Pin function	Equivalent Circuit
28	CT	Oscillator frequency setting capacitor connection pin/oscillator input pin. By changing the value of capacitance, it is possible to change the oscillator frequency. The capacitor must be connected to this pin of the master-side IC. The CT pin of the slave-side IC must be connected as the oscillator input pin.	
30	OSC_OUT	Oscillator output pin When a multiple number of driver ICs are connected for use, the oscillators can be connected in synchronization by connecting the OSC_OUT output to the CT pin of the ICs to be connected.	
6 7 9 10 11 13 19 20 22	LEDR1 LEDR2 LEDR3 LEDG1 LEDG2 LEDG3 LEDB1 LEDB2 LEDB3	LEDR1 output pin LEDR2 output pin LEDR3 output pin LEDG1 output pin LEDG2 output pin LEDG3 output pin LEDB1 output pin LEDB2 output pin LEDB3 output pin If these pins are not going to be used, they must always be connected to GND.	
8 12 21	PGND1 PGND2 PGND3	GND pin dedicate for LEDR GND pin dedicate for LEDG GND pin dedicate for LEDB	
5	NC	No connection	

LV5234V

Serial Bus Communication Specifications

1) 3-wire serial bus transfer timing conditions



Parameter	Symbol	Conditions	Min.	Typ.	Max.	Unit
Cycle time	tcy1	SCLK clock period	200	-	-	ns
Data setup time	ts0	SDEN setup time relative to the rise of SCLK	90	-	-	ns
	ts1	SDATA setup time relative to the rise of SCLK	60	-	-	ns
Data hold time	th0	SDEN hold time relative to the fall of SCLK	200	-	-	ns
	th1	SDATA hold time relative to the fall of SCLK	60	-	-	ns
Pulse width	tw1L	Low period pulse width of SCLK	90	-	-	ns
	tw1H	High period pulse width of SCLK	90	-	-	ns
	tw2L	Low period pulse width of SDEN	1	-	-	μs

Data length: 24 bits

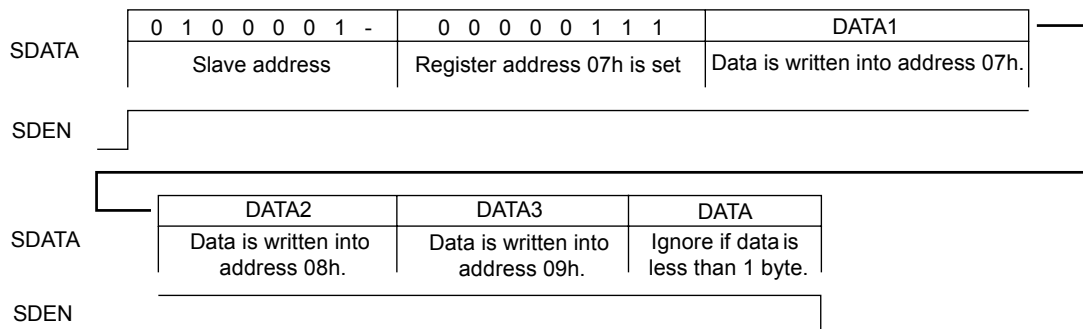
Clock frequency: 5 MHz or less

When 24 SCLK clock signals have been input during the high period of SDEN, the SDATA is taken in at the rising edge of SCLK.

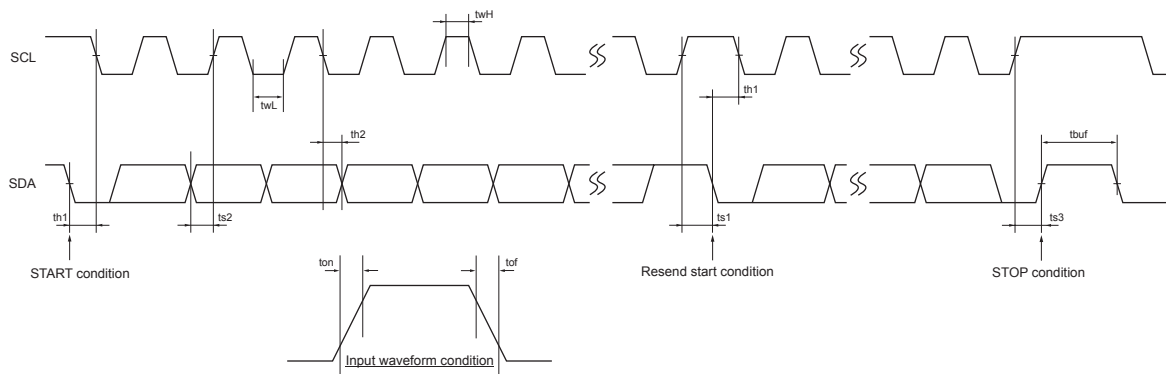
Note: If the number of SCLK clock signals during the high period of SDEN is 23 or less, SDATA is not taken in. If it is 25 or more, the register address is automatically incremented every time 1 byte is taken in.

The slave address is assigned by the first byte, and the register address on the serial map is specified by the next byte. The third byte transfers the data to the address specified by the register address that was written by the second byte and if the data subsequently continues even after this, the register address is automatically incremented for the fourth and subsequent bytes. As a result, it is possible to send the data continuously from the specified addresses. Data of less than one byte is ignored. However, when the address reaches 15h, in the next byte to be transferred becomes 00h.

Example of a write operation:



2) I²C serial transfer timing conditions



Standard mode

Parameter	Symbol	Conditions	Min.	Typ.	Max.	Unit
SCL clock frequency	fsc1	SCL clock frequency	0	-	100	kHz
Data setup time	ts1	SCL setup time relative to the fall of SDA	4.7	-	-	μs
	ts2	SDA setup time relative to the rise of SCL	250	-	-	ns
	ts3	SCL setup time relative to the rise of SDA	4.0	-	-	μs
Data hold time	th1	SCL hold time relative to the fall of SDA	4.0	-	-	μs
	th2	SDA hold time relative to the fall of SCL	0	-	-	μs
Pulse width	twL	SCL pulse width for the L period	4.7	-	-	μs
	twH	SCL pulse width for the H period	4.0	-	-	μs
Input waveform conditions	ton	SCL and SDA (input) rise time	-	-	1000	ns
	tof	SCL and SDA (input) fall time	-	-	300	ns
Bus free time	tbuf	Time between STOP condition and START condition	4.7	-	-	μs

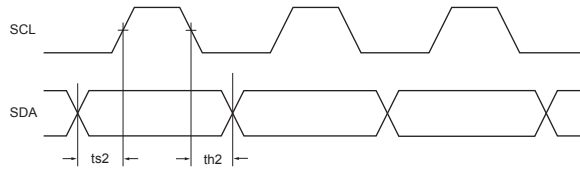
High-speed mode

Parameter	Symbol	Conditions	Min.	Typ.	Max.	Unit
SCL clock frequency	fsc1	SCL clock frequency	0	-	400	kHz
Data setup time	ts1	SCL setup time relative to the fall of SDA	0.6	-	-	μs
	ts2	SDA setup time relative to the rise of SCL	100	-	-	ns
	ts3	SCL setup time relative to the rise of SDA	0.6	-	-	μs
Data hold time	th1	SCL hold time relative to the fall of SDA	0.6	-	-	μs
	th2	SDA hold time relative to the fall of SCL	0	-	-	μs
Pulse width	twL	SCL pulse width for the L period	1.3	-	-	μs
	twH	SCL pulse width for the H period	0.6	-	-	μs
Input waveform conditions	ton	SCL and SDA (input) rise time	-	-	300	ns
	tof	SCL and SDA (input) fall time	-	-	300	ns
Bus free time	tbuf	Time between STOP and START conditions	1.3	-	-	μs

I²C bus transfer method

Start and stop conditions

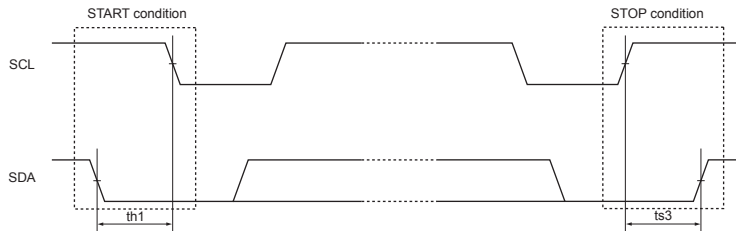
During data transfer operation using the I²C bus, SDA must basically be kept in constant state while SCL is "H" as shown below.



When data is not being transferred, both SCL and SDA are set in the "H" state.

When SCL=SDA is "H," the start condition is established when SDA is changed from "H" to "L," and access is started.

When SCL is "H," the stop condition is established when SDA is changed from "L" to "H," and access is ended.



Data transfer and acknowledgement response

After the start condition has been established, the data is transferred one byte (8 bits) at a time.

Any number of bytes of data can be transferred continuously.

Each time the 8-bit data is transferred, the ACK signal is sent from the receive side to the send side. The ACK signal is issued when SDA on the send side is released and SDA on the receive side is set to "L" immediately after fall of the clock pulse at the SCL eighth bit of data transfer to "L."

When the next 1-byte transfer is left in the receive state after sending the ACK signal from the receive side, the receive side releases SDA at the fall of the SCL ninth clock.

In the I²C bus, there is no CE signal. In its place, a 7-bit slave address is assigned to each device, and the first byte of transfer is assigned to the command (R/W) representing the 7-bit address and subsequent transfer direction. Note that only write is valid in this IC. The 7-bit address is transferred sequentially starting with MSB, and the eighth bit is set to "L" which indicates a write.



LV5234V

Slave address condition

	SLAVE ADDRESS							
	SA7	SA6	SA5	SA4	SA3	SA2	SA1	SA0
register name	-	-	A4	A3	A2	A1	A0	-
default	0	1	0	0	0	0	0	-

Terminal PIN				
A4	A3	A2	A1	A0
L	L	L	L	L
L	L	L	L	H
L	L	L	H	L
L	L	L	H	H
L	L	H	L	L
L	L	H	L	H
L	L	H	H	L
L	L	H	H	H
L	H	L	L	L
L	H	L	L	H
L	H	L	H	L
L	H	L	H	H
L	H	H	L	L
L	H	H	L	H
L	H	H	H	L
L	H	H	H	H
L	H	H	H	H
H	L	L	L	L
H	L	L	L	H
H	L	L	H	L
H	L	L	H	H
H	L	H	L	L
H	L	H	L	H
H	L	H	H	L
H	L	H	H	H
H	H	L	L	L
H	H	L	L	H
H	H	L	H	L
H	H	L	H	H
H	H	H	L	L
H	H	H	L	H
H	H	H	H	L
H	H	H	H	H

:LV5234

SA7	SA6	SA5	SA4	SA3	SA2	SA1	SA0
0	1	0	0	0	0	0	-
0	1	0	0	0	0	1	-
0	1	0	0	0	1	0	-
0	1	0	0	0	1	1	-
0	1	0	0	1	0	0	-
0	1	0	0	1	0	1	-
0	1	0	0	1	1	0	-
0	1	0	0	1	1	1	-
0	1	0	1	0	0	0	-
0	1	0	1	0	0	1	-
0	1	0	1	0	1	0	-
0	1	0	1	0	1	1	-
0	1	0	1	1	0	0	-
0	1	0	1	1	0	1	-
0	1	0	1	1	1	0	-
0	1	0	1	1	1	1	-
0	1	1	0	0	0	0	-
0	1	1	0	0	0	1	-
0	1	1	0	0	1	0	-
0	1	1	0	0	1	1	-
0	1	1	0	1	0	0	-
0	1	1	0	1	0	1	-
0	1	1	0	1	1	0	-
0	1	1	0	1	1	1	-
0	1	1	1	0	0	0	-
0	1	1	1	0	0	1	-
0	1	1	1	0	1	0	-
0	1	1	1	0	1	1	-
0	1	1	1	1	0	0	-
0	1	1	1	1	0	1	-
0	1	1	1	1	1	0	-
0	1	1	1	1	1	1	-

LV5234V

Serial each mode setting

	ADDRESS : 00h							
	D7	D6	D5	D4	D3	D2	D1	D0
register name	-	PWM[2]	PWM[1]	PWM[0]	-	-	MAS	-
default	0	0	0	0	0	0	0	0

D6	D5	D4	time(ms)
0	0	0	0.5
0	0	1	1.0
0	1	0	2.0
0	1	1	4.0
1	0	0	8.0
-	-	-	-
-	-	-	-
-	-	-	-
-	-	-	-

PWM cycle setting
*Default

D1	MAS
0	Master
1	Slave

Master/Slave setting
*Default

	ADDRESS : 01h							
	D7	D6	D5	D4	D3	D2	D1	D0
register name	-	FOUT[2]	FOUT[1]	FOUT[0]	-	FIN[2]	FIN[1]	FIN[0]
default	0	0	0	0	0	0	0	0

D6	D5	D4	time(ms)
0	0	0	No slope
0	0	1	0.5
0	1	0	1.0
0	1	1	2.0
1	0	0	4.0
1	0	1	8.0
1	1	0	16.0
1	1	1	32.0

Fout slope setting
*Default

Speed of fade a step

(It takes 256 above-mentioned, set value × seconds until the fade is completed.)

D2	D1	D0	time(ms)
0	0	0	No slope
0	0	1	0.5
0	1	0	1.0
0	1	1	2.0
1	0	0	4.0
1	0	1	8.0
1	1	0	16.0
1	1	1	32.0

Fin slope setting
*Default

Speed of fade a step

(It takes 256 above-mentioned, set value × seconds until the fade is completed.)

LV5234V

	ADDRESS : 02h							
	D7	D6	D5	D4	D3	D2	D1	D0
register name	-	-	-	RLED[4]	RLED[3]	RLED[2]	RLED[1]	RLED[0]
default	0	0	0	0	0	0	0	0

D4	D3	D2	D1	D0	Current value (mA)
0	0	0	0	0	0.96
0	0	0	0	1	1.92
0	0	0	1	0	2.88
0	0	0	1	1	3.84
0	0	1	0	0	4.80
0	0	1	0	1	5.76
0	0	1	1	0	6.72
0	0	1	1	1	7.68
0	1	0	0	0	8.64
0	1	0	0	1	9.60
0	1	0	1	0	10.56
0	1	0	1	1	11.52
0	1	1	0	0	12.48
0	1	1	0	1	13.44
0	1	1	1	0	14.40
0	1	1	1	1	15.36
1	0	0	0	0	16.32
1	0	0	0	1	17.28
1	0	0	1	0	18.24
1	0	0	1	1	19.20
1	0	1	0	0	20.16
1	0	1	0	1	21.12
1	0	1	1	0	22.08
1	0	1	1	1	23.04
1	1	0	0	0	24.00
1	1	0	0	1	24.96
1	1	0	1	0	25.92
1	1	0	1	1	26.88
1	1	1	0	0	27.84
1	1	1	0	1	28.80
1	1	1	1	0	29.76
1	1	1	1	1	30.72

RLED current value setting
* Default

LV5234V

	ADDRESS : 03h							
	D7	D6	D5	D4	D3	D2	D1	D0
register name	-	-	-	GLED[4]	GLED[3]	GLED[2]	GLED[1]	GLED[0]
default	0	0	0	0	0	0	0	0

D4	D3	D2	D1	D0	Current value (mA)
0	0	0	0	0	0.96
0	0	0	0	1	1.92
0	0	0	1	0	2.88
0	0	0	1	1	3.84
0	0	1	0	0	4.80
0	0	1	0	1	5.76
0	0	1	1	0	6.72
0	0	1	1	1	7.68
0	1	0	0	0	8.64
0	1	0	0	1	9.60
0	1	0	1	0	10.56
0	1	0	1	1	11.52
0	1	1	0	0	12.48
0	1	1	0	1	13.44
0	1	1	1	0	14.40
0	1	1	1	1	15.36
1	0	0	0	0	16.32
1	0	0	0	1	17.28
1	0	0	1	0	18.24
1	0	0	1	1	19.20
1	0	1	0	0	20.16
1	0	1	0	1	21.12
1	0	1	1	0	22.08
1	0	1	1	1	23.04
1	1	0	0	0	24.00
1	1	0	0	1	24.96
1	1	0	1	0	25.92
1	1	0	1	1	26.88
1	1	1	0	0	27.84
1	1	1	0	1	28.80
1	1	1	1	0	29.76
1	1	1	1	1	30.72

GLED current value setting
* Default

LV5234V

	ADDRESS : 04h							
	D7	D6	D5	D4	D3	D2	D1	D0
register name	-	-	-	BLED[4]	BLED[3]	BLED[2]	BLED[1]	BLED[0]
default	0	0	0	0	0	0	0	0

D4	D3	D2	D1	D0	Current value (mA)
0	0	0	0	0	0.96
0	0	0	0	1	1.92
0	0	0	1	0	2.88
0	0	0	1	1	3.84
0	0	1	0	0	4.80
0	0	1	0	1	5.76
0	0	1	1	0	6.72
0	0	1	1	1	7.68
0	1	0	0	0	8.64
0	1	0	0	1	9.60
0	1	0	1	0	10.56
0	1	0	1	1	11.52
0	1	1	0	0	12.48
0	1	1	0	1	13.44
0	1	1	1	0	14.40
0	1	1	1	1	15.36
1	0	0	0	0	16.32
1	0	0	0	1	17.28
1	0	0	1	0	18.24
1	0	0	1	1	19.20
1	0	1	0	0	20.16
1	0	1	0	1	21.12
1	0	1	1	0	22.08
1	0	1	1	1	23.04
1	1	0	0	0	24.00
1	1	0	0	1	24.96
1	1	0	1	0	25.92
1	1	0	1	1	26.88
1	1	1	0	0	27.84
1	1	1	0	1	28.80
1	1	1	1	0	29.76
1	1	1	1	1	30.72

BLED current value setting
* Default

LV5234V

	ADDRESS : 05h							
	D7	D6	D5	D4	D3	D2	D1	D0
register name	-	B2ON	G2ON	R2ON	-	B1ON	G1ON	R1ON
default	0	0	0	0	0	0	0	0

D6	B2ON
0	OFF
1	ON

LEDB2 ON/OFF setting
* Default

D5	G2ON
0	OFF
1	ON

LEDG2 ON/OFF setting
* Default

D4	R2ON
0	OFF
1	ON

LEDR2 ON/OFF setting
* Default

D2	B1ON
0	OFF
1	ON

LEDB1 ON/OFF setting
* Default

D1	G1ON
0	OFF
1	ON

LEDG1ON/OFF setting
* Default

D0	R1ON
0	OFF
1	ON

LEDR1 ON/OFF setting
* Default

	ADDRESS : 06h							
	D7	D6	D5	D4	D3	D2	D1	D0
register name	-	-	-	-	-	B3ON	G3ON	R3ON
default	0	0	0	0	0	0	0	0

D2	B3ON
0	OFF
1	ON

LEDB3 ON/OFF setting
* Default

D1	G3ON
0	OFF
1	ON

LEDG3 ON/OFF setting
* Default

D0	R3ON
0	OFF
1	ON

LEDR3 ON/OFF setting
* Default

LV5234V

	ADDRESS : 07h							
	D7	D6	D5	D4	D3	D2	D1	D0
register name	-	-	R3PON[1]	R3PON[0]	R2PON[1]	R2PON[0]	R1PON[1]	R1PON[0]
default	0	0	0	0	0	0	0	0

D5	D4	R3PON	LEDR3 output setting * Default
0	0	PMW output priority	
0	1	Fade output priority	
1	0	Compulsion ON/OFF output priority	
-	-	-	

D3	D2	R2PON	LEDR2 output setting * Default
0	0	PMW output priority	
0	1	Fade output priority	
1	0	Compulsion ON/OFF output priority	
-	-	-	

D1	D0	R1PON	LEDR1 output setting * Default
0	0	PMW output priority	
0	1	Fade output priority	
1	0	Compulsion ON/OFF output priority	
-	-	-	

	ADDRESS : 08h							
	D7	D6	D5	D4	D3	D2	D1	D0
register name	-	-	G3PON[1]	G3PON[0]	G2PON[1]	G2PON[0]	G1PON[1]	G1PON[0]
default	0	0	0	0	0	0	0	0

D5	D4	G3PON	LEDG3 output setting * Default
0	0	PMW output priority	
0	1	Fade output priority	
1	0	Compulsion ON/OFF output priority	
-	-	-	

D3	D2	G2PON	LEDG2 output setting * Default
0	0	PMW output priority	
0	1	Fade output priority	
1	0	Compulsion ON/OFF output priority	
-	-	-	

D1	D0	G1PON	LEDG1 output setting * Default
0	0	PMW output priority	
0	1	Fade output priority	
1	0	Compulsion ON/OFF output priority	
-	-	-	

LV5234V

	ADDRESS : 09h							
	D7	D6	D5	D4	D3	D2	D1	D0
register name	-	-	B3PON[1]	B3PON[0]	B2PON[1]	B2PON[0]	B1PON[1]	B1PON[0]
default	0	0	0	0	0	0	0	0

D5	D4	B3PON
0	0	PMW output priority
0	1	Fade output priority
1	0	Compulsion ON/OFF output priority
-	-	-

LEDB3 output setting
* Default

D3	D2	B2PON
0	0	PMW output priority
0	1	Fade output priority
1	0	Compulsion ON/OFF output priority
-	-	-

LEDB2 output setting
* Default

D1	D0	B1PON
0	0	PMW output priority
0	1	Fade output priority
1	0	Compulsion ON/OFF output priority
-	-	-

LEDB1 output setting
* Default

LV5234V

	ADDRESS : 0ah							
	D7	D6	D5	D4	D3	D2	D1	D0
register name	-	R3CM	R2CM	R1CM	-	R3FD	R2FD	R1FD
default	0	0	0	0	0	0	0	0

D6	R3CM	LEDR3 compulsion ON/OFF setting
0	Compulsion OFF	* Default
1	Compulsion ON	

D5	R2CM	LEDR2 compulsion ON/OFF setting
0	Compulsion OFF	* Default
1	Compulsion ON	

D4	R1CM	LEDR1 compulsion ON/OFF setting
0	Compulsion OFF	* Default
1	Compulsion ON	

D2	R3FD	LEDR3 fade function ON/OFF setting
0	Fade invalidity	* Default
1	Fade effective	

D1	R2FD	LEDR2 fade function ON/OFF setting
0	Fade invalidity	* Default
1	Fade effective	

D0	R1FD	LEDR1 fade function ON/OFF setting
0	Fade invalidity	* Default
1	Fade effective	

	ADDRESS : 0bh							
	D7	D6	D5	D4	D3	D2	D1	D0
register name	-	G3CM	G2CM	G1CM	-	G3FD	G2FD	G1FD
default	0	0	0	0	0	0	0	0

D6	G3CM	LEDG3 compulsion ON/OFF setting
0	Compulsion OFF	* Default
1	Compulsion ON	

D5	G2CM	LEDG2 compulsion ON/OFF setting
0	Compulsion OFF	* Default
1	Compulsion ON	

D4	G1CM	LEDG1 compulsion ON/OFF setting
0	Compulsion OFF	* Default
1	Compulsion ON	

D2	G3FD	LEDG3 fade function ON/OFF setting
0	Fade invalidity	* Default
1	Fade effective	

D1	G2FD	LEDG2 fade function ON/OFF setting
0	Fade invalidity	* Default
1	Fade effective	

D0	G1FD	LEDG1 fade function ON/OFF setting
0	Fade invalidity	* Default
1	Fade effective	

LV5234V

	ADDRESS : 0ch							
	D7	D6	D5	D4	D3	D2	D1	D0
register name	-	B3CM	B2CM	B1CM	-	B3FD	B2FD	B1FD
default	0	0	0	0	0	0	0	0

D6	B3CM	LEDB3 compulsion ON/OFF setting
0	Compulsion OFF	* Default
1	Compulsion ON	

D5	B2CM	LEDB2 compulsion ON/OFF setting
0	Compulsion OFF	* Default
1	Compulsion ON	

D4	B1CM	LEDB1 compulsion ON/OFF setting
0	Compulsion OFF	* Default
1	Compulsion ON	

D2	B3FD	LEDB3 fade function ON/OFF setting
0	Fade invalidity	* Default
1	Fade effective	

D1	B2FD	LEDB2 fade function ON/OFF setting
0	Fade invalidity	* Default
1	Fade effective	

D0	B1FD	LEDB1 fade function ON/OFF setting
0	Fade invalidity	* Default
1	Fade effective	

	ADDRESS : 0dh							
	D7	D6	D5	D4	D3	D2	D1	D0
register name	R1PWM[7]	R1PWM[6]	R1PWM[5]	R1PWM[4]	R1PWM[3]	R1PWM[2]	R1PWM[1]	R1PWM[0]
default	0	0	0	0	0	0	0	0

LEDR1 PWM Duty setting (Default ALL0)

D	Duty (%)	
00h	0.0	$Duty (\%) = \frac{R1PWM[7:0]}{256}$
ffh	99.6	

	ADDRESS : 0eh							
	D7	D6	D5	D4	D3	D2	D1	D0
register name	G1PWM[7]	G1PWM[6]	G1PWM[5]	G1PWM[4]	G1PWM[3]	G1PWM[2]	G1PWM[1]	G1PWM[0]
default	0	0	0	0	0	0	0	0

LEDG1 PWM Duty setting (Default ALL0)

D	Duty (%)	
00h	0.0	$Duty (\%) = \frac{G1PWM[7:0]}{256}$
ffh	99.6	

	ADDRESS : 0fh							
	D7	D6	D5	D4	D3	D2	D1	D0
register name	B1PWM[7]	B1PWM[6]	B1PWM[5]	B1PWM[4]	B1PWM[3]	B1PWM[2]	B1PWM[1]	B1PWM[0]
default	0	0	0	0	0	0	0	0

LEDB1 PWM Duty setting (Default ALL0)

D	Duty (%)	
00h	0.0	$Duty (\%) = \frac{B1PWM[7:0]}{256}$
ffh	99.6	

LV5234V

ADDRESS : 10h								
	D7	D6	D5	D4	D3	D2	D1	D0
register name	R2PWM[7]	R2PWM[6]	R2PWM[5]	R2PWM[4]	R2PWM[3]	R2PWM[2]	R2PWM[1]	R2PWM[0]
default	0	0	0	0	0	0	0	0

LEDR2 PWM Duty setting (Default ALL0)

D	Duty (%)
00h	0.0
ffh	99.6

$$\text{Duty (\%)} = \frac{\text{R2PWM}[7:0]}{256}$$

ADDRESS : 11h								
	D7	D6	D5	D4	D3	D2	D1	D0
register name	G2PWM[7]	G2PWM[6]	G2PWM[5]	G2PWM[4]	G2PWM[3]	G2PWM[2]	G2PWM[1]	G2PWM[0]
default	0	0	0	0	0	0	0	0

LEDG2 PWM Duty setting (Default ALL0)

D	Duty (%)
00h	0.0
ffh	99.6

$$\text{Duty (\%)} = \frac{\text{G2PWM}[7:0]}{256}$$

ADDRESS : 12h								
	D7	D6	D5	D4	D3	D2	D1	D0
register name	B2PWM[7]	B2PWM[6]	B2PWM[5]	B2PWM[4]	B2PWM[3]	B2PWM[2]	B2PWM[1]	B2PWM[0]
default	0	0	0	0	0	0	0	0

LEDB2 PWM Duty setting (Default ALL0)

D	Duty (%)
00h	0.0
ffh	99.6

$$\text{Duty (\%)} = \frac{\text{B2PWM}[7:0]}{256}$$

ADDRESS : 13h								
	D7	D6	D5	D4	D3	D2	D1	D0
register name	R3PWM[7]	R3PWM[6]	R3PWM[5]	R3PWM[4]	R3PWM[3]	R3PWM[2]	R3PWM[1]	R3PWM[0]
default	0	0	0	0	0	0	0	0

LEDR3 PWM Duty setting (Default ALL0)

D	Duty (%)
00h	0.0
ffh	99.6

$$\text{Duty (\%)} = \frac{\text{R3PWM}[7:0]}{256}$$

ADDRESS : 14h								
	D7	D6	D5	D4	D3	D2	D1	D0
register name	G3PWM[7]	G3PWM[6]	G3PWM[5]	G3PWM[4]	G3PWM[3]	G3PWM[2]	G3PWM[1]	G3PWM[0]
default	0	0	0	0	0	0	0	0

LEDG3 PWM Duty setting (Default ALL0)

D	Duty (%)
00h	0.0
ffh	99.6

$$\text{Duty (\%)} = \frac{\text{G3PWM}[7:0]}{256}$$

ADDRESS : 15h								
	D7	D6	D5	D4	D3	D2	D1	D0
register name	B3PWM[7]	B3PWM[6]	B3PWM[5]	B3PWM[4]	B3PWM[3]	B3PWM[2]	B3PWM[1]	B3PWM[0]
default	0	0	0	0	0	0	0	0

LEDB3 PWM Duty setting (Default ALL0)

D	Duty (%)
00h	0.0
ffh	99.6

$$\text{Duty (\%)} = \frac{\text{B3PWM}[7:0]}{256}$$

LV5234V

LV5234V serial map

• Table upper row: Register name Table the lower: Default value

A7	A6	A5	A4	A3	A2	A1	A0	D7	D6	D5	D4	D3	D2	D1	D0
00h	0	0	0	0	0	0	0	×	PWM[2:0]			×	×	MAS	×
								0	0	0	0	0	0	0	0
01h	0	0	0	0	0	0	1	×	FOUT[2:0]			×	FIN[2:0]		
								0	0	0	0	0	0	0	0
02h	0	0	0	0	0	1	0	×	×	×	RLED[4:0]				
								0	0	0	0	0	0	0	0
03h	0	0	0	0	0	1	1	×	×	×	GLED[4:0]				
								0	0	0	0	0	0	0	0
04h	0	0	0	0	1	0	0	×	×	×	BLED[4:0]				
								0	0	0	0	0	0	0	0
05h	0	0	0	0	1	0	1	×	B2ON	G2ON	R2ON	×	B1ON	G1ON	R1ON
								0	0	0	0	0	0	0	0
06h	0	0	0	0	1	1	0	×	×	×	×	×	B3ON	G3ON	R3ON
								0	0	0	0	0	0	0	0
07h	0	0	0	0	1	1	1	×	×	R3PON[1:0]		R2PON[1:0]		R1PON[1:0]	
								0	0	0	0	0	0	0	0
08h	0	0	0	1	0	0	0	×	×	G3PON[1:0]		G2PON[1:0]		G1PON[1:0]	
								0	0	0	0	0	0	0	0
09h	0	0	0	1	0	0	1	×	×	B3PON[1:0]		B2PON[1:0]		B1PON[2:0]	
								0	0	0	0	0	0	0	0
0ah	0	0	0	1	0	1	0	×	R3CM	R2CM	R1CM	×	R3FD	R2FD	R1FD
								0	0	0	0	0	0	0	0
0bh	0	0	0	1	0	1	1	×	G3CM	G2CM	G1CM	×	G3FD	G2FD	G1FD
								0	0	0	0	0	0	0	0
0ch	0	0	0	1	1	0	0	×	B3CM	B2CM	B1CM	×	B3FD	B2FD	B1FD
								0	0	0	0	0	0	0	0
0dh	0	0	0	1	1	0	1	R1PWM[7:0]							
								0	0	0	0	0	0	0	0
0eh	0	0	0	1	1	1	0	G1PWM[7:0]							
								0	0	0	0	0	0	0	0
0fh	0	0	0	1	1	1	1	B1PWM[7:0]							
								0	0	0	0	0	0	0	0
10h	0	0	1	0	0	0	0	R2PWM[7:0]							
								0	0	0	0	0	0	0	0
11h	0	0	1	0	0	0	1	G2PWM[7:0]							
								0	0	0	0	0	0	0	0
12h	0	0	1	0	0	1	0	B2PWM[7:0]							
								0	0	0	0	0	0	0	0
13h	0	0	1	0	0	1	1	R3PWM[7:0]							
								0	0	0	0	0	0	0	0
14h	0	0	1	0	1	0	0	G3PWM[7:0]							
								0	0	0	0	0	0	0	0
15h	0	0	1	0	1	0	1	B3PWM[7:0]							
								0	0	0	0	0	0	0	0
Register address								Data							

LV5234V

ORDERING INFORMATION

Device	Package	Shipping (Qty / Packing)
LV5234V-MPB-H	SSOP30 (275mil) (Pb-Free / Halogen Free)	48 / Fan-Fold
LV5234V-TLM-H	SSOP30 (275mil) (Pb-Free / Halogen Free)	1000 / Tape & Reel
LV5234VZ-MPB-H	SSOP30 (275mil) (Pb-Free / Halogen Free)	48 / Fan-Fold
LV5234VZ-TLM-H	SSOP30 (275mil) (Pb-Free / Halogen Free)	1000 / Tape & Reel

ON Semiconductor and the ON logo are registered trademarks of Semiconductor Components Industries, LLC (SCILLC). SCILLC owns the rights to a number of patents, trademarks, copyrights, trade secrets, and other intellectual property. A listing of SCILLC's product/patent coverage may be accessed at www.onsemi.com/site/pdf/Patent-Marking.pdf. SCILLC reserves the right to make changes without further notice to any products herein. SCILLC makes no warranty, representation or guarantee regarding the suitability of its products for any particular purpose, nor does SCILLC assume any liability arising out of the application or use of any product or circuit, and specifically disclaims any and all liability, including without limitation special, consequential or incidental damages. "Typical" parameters which may be provided in SCILLC data sheets and/or specifications can and do vary in different applications and actual performance may vary over time. All operating parameters, including "Typicals" must be validated for each customer application by customer's technical experts. SCILLC does not convey any license under its patent rights nor the rights of others. SCILLC products are not designed, intended, or authorized for use as components in systems intended for surgical implant into the body, or other applications intended to support or sustain life, or for any other application in which the failure of the SCILLC product could create a situation where personal injury or death may occur. Should Buyer purchase or use SCILLC products for any such unintended or unauthorized application, Buyer shall indemnify and hold SCILLC and its officers, employees, subsidiaries, affiliates, and distributors harmless against all claims, costs, damages, and expenses, and reasonable attorney fees arising out of, directly or indirectly, any claim of personal injury or death associated with such unintended or unauthorized use, even if such claim alleges that SCILLC was negligent regarding the design or manufacture of the part. SCILLC is an Equal Opportunity/Affirmative Action Employer. This literature is subject to all applicable copyright laws and is not for resale in any manner.