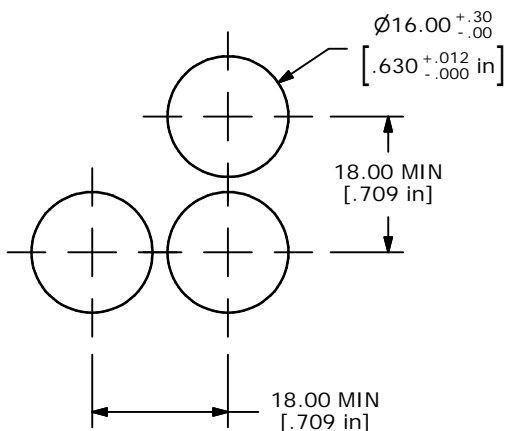
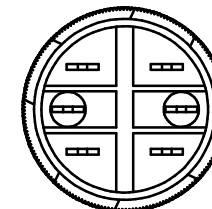
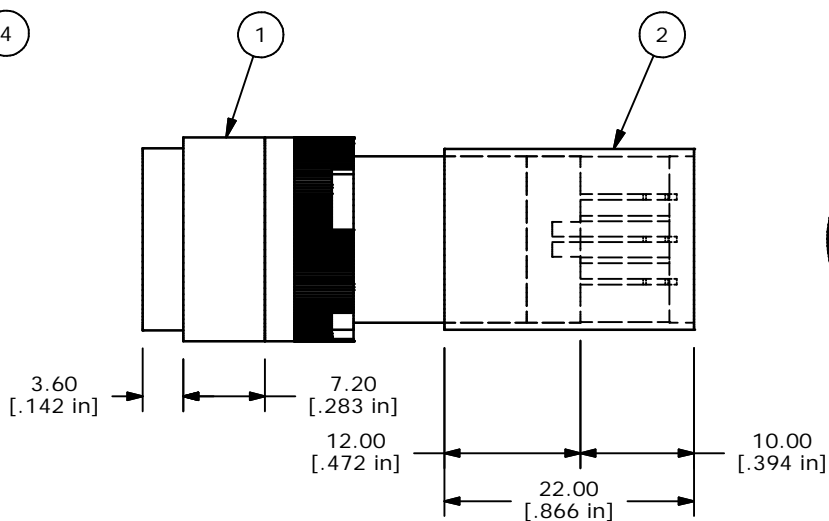
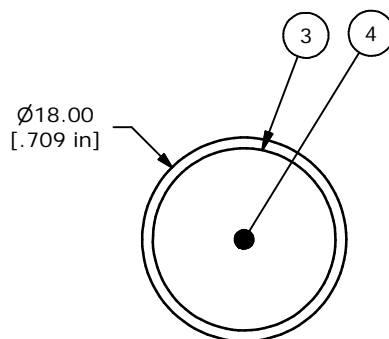
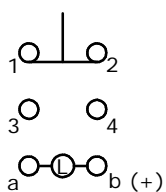


ITEM	QTY	PART NUMBER	DESCRIPTION
1	1	F040015	P16EER11
2	1	F051601	P16 PLASTIC TERMINAL PROTECTOR
3	1	F050102	50-001-02 ROUND TRANSPARENT GRN LENS
4	1	F050413	50-004-13 220VAC GREEN NEON LAMP



PANEL MOUNTING



NOTE:

1. ALL DIMENSIONS IN MM [INCH]
2. GENERAL TOLERANCE: X.X=±0.4
X.XX=±0.25
3. TERMINAL NUMBERS FOR REF ONLY
4. MECHANICAL LIFE: 2,000,000 OPERATIONS
5. INSULATION RESISTANCE: 1,000 MILLI-OHM MIN.
6. OPERATING TEMP.: -25°C to 55°C
- ▲ 7. LAMP VOLTAGE: 220VAC NEON LAMP
8. ▲ DENOTES CRITICAL PARAMETER.

E-SWITCH®

TITLE P16EER11GGRNGRN

A	14554	RELEASED FOR PRODUCTION	12/1/04	AR
REV	PCR NO	DESCRIPTION	DATE	BY

THE INFORMATION CONTAINED IN THIS DOCUMENT IS PROPRIETARY TO E-SWITCH AND IS NOT TO BE COPIED OR TRANSFERRED

SCALE	DATE	DR	DWG	REV
2:1	12/1/04	AR	XF0617P	A