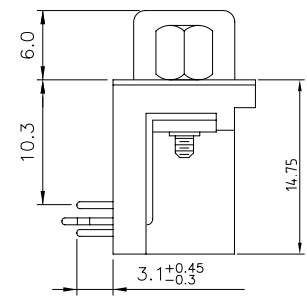
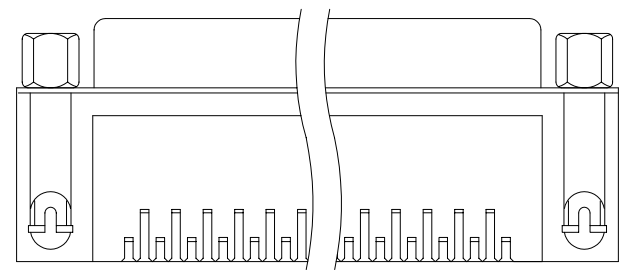
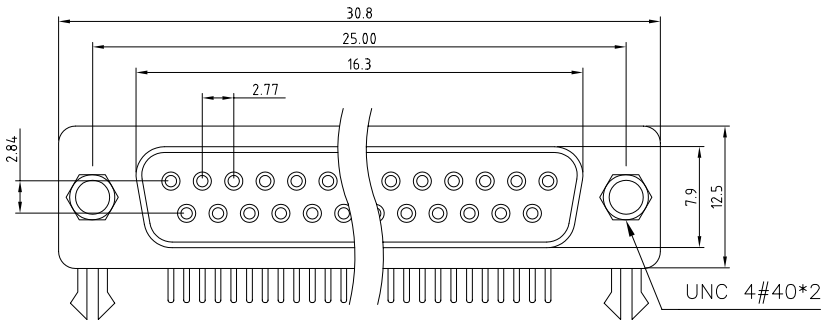
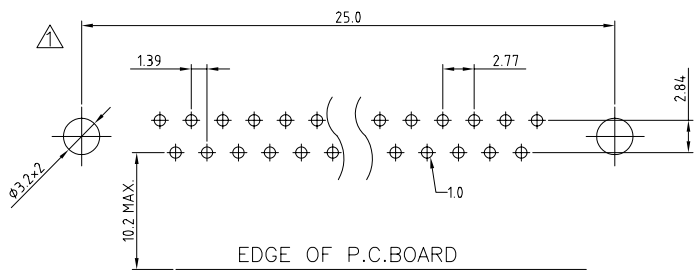


used for:



SPECIFICATIONS
MATERIAL
 Insulator: Thermal Plastic UL94V-0
 Contacts: Copper Alloy
 Shell: Steel
 Rivet, Boardlock: Copper Alloy
CONTACT PLATING
 Underplate: 50u" Nickel
 Contact Area: Gold Flash
 Solder Tails Area: 100u" Tin/Lead Free

ELECTRICAL
 Operation Voltage: 250 VAC Max.
 Current Rating: 3 Amps
 Contact Resistance: 15 mohms
 Insulation Resistance: 3000 Mohms Min @ 500 VDC
 Dielectric Withstanding Voltage: 1000 VAC / Minute
 Operating Temperature: -55°C TO +105°C



RECOMMENDED P.C.B LAYOUT (TOP VIEW)
 TOLERANCES: ±0.05mm



THIS DRAWING MAY NOT BE COPIED OR REPRODUCED IN ANY WAY, AND MAY NOT BE PASSED ON TO A THIRD PARTY WITHOUT WRITTEN PERMISSION. OWNERSHIP AND COPYRIGHT OF CONEC CORPORATION DO NOT ALTER CAD DRAWING BY HAND

tolerance	
Decimtal:	unless otherwise specified tolerance shall be as follow
.x	±0.5
.xx	±0.3
.xxx	±0.2
Angles: ±5°	

finish	
2006	date
draw.	Nov. 23
appd.	Nov. 23
norm	
d-old	
CONEC	
a	origin
rev.	description
date	name

scale:	
material: SEE SPECIFICATIONS	
title: D-Sub R/A 9.4mm 9pin female connector	
ROHS compliant	
drawing no.:	AutoCAD 2005
16K1A1631	
part no.:	DLS1XS6AK44X
	DIN A3 sheet 1/1