

ATE4/ATLE4

Subminiature Toggle Switch With Locking Lever

Washable



UL

RoHS Compliant

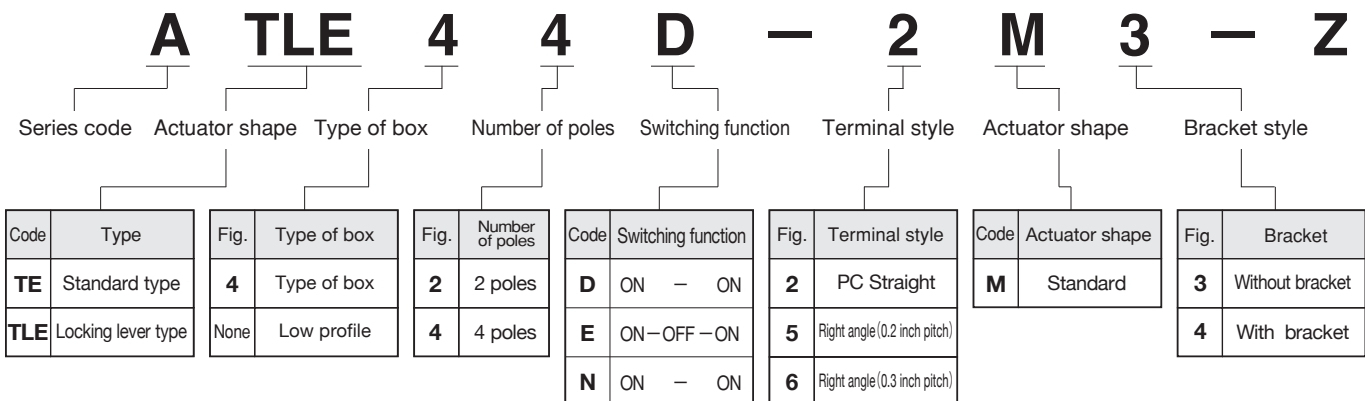
Features

1. Twin-contact clip mechanism for high reliability.
2. Process sealed structure

Specifications

Rating	Max.	50mA 48VAC/DC
	Min.	1 μ A 20mVAC/DC
Initial contact resistance	100m Ω max. (1.5mA 200 μ VAC)	
Dielectric strength	500VAC 1 minute	
Insulation resistance	500M Ω min. (250VDC)	
Electrical life	10,000 cycles at max. rating	
Operating temperature range	-20°C~+85°C	
Storage temperature range	-40°C~+85°C	

Part Numbering



PC Hole Layouts

Type	Terminal style	PC Straight (Without bracket)
ATE42□-2M3-Z ATLE42□-2M3-Z	2-poles	
ATE42□-2M3-Z ATLE44□-2M3-Z	4-poles	

Type	Terminal style	PC Straight (With bracket)
ATE42□-2M3-Z ATLE42□-2M3-Z	2-poles	
ATE44□-2M4-Z ATLE44□-2M4-Z	4-poles	

ATE

PC Hole Layouts

Type	Terminal style	Right angle
ATE42□-6M3-Z ATLE42□-6M3-Z	2-poles	
ATE44□-6M3-Z ATLE44□-6M3-Z	4-poles	

Packaging Specification

Plastick Pack ATE-2M	Standard type 50 pcs/pack
Plastick Pack ATE-6M ATLE-2M ATLE-5M ATLE-6M	Right-angle type 50 pcs/pack

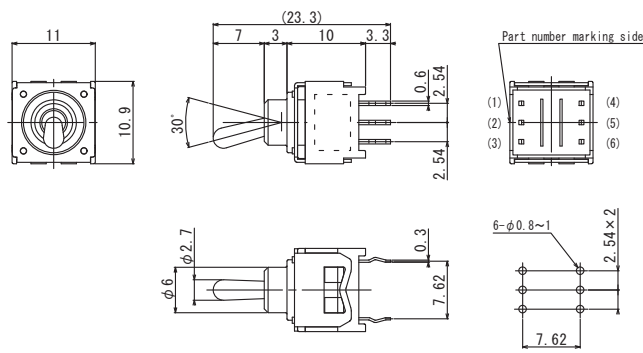
Type of Actuator

Standard type	Locking lever type

ATE (Subminiature Toggle Switch)

DPDT

PC Straight



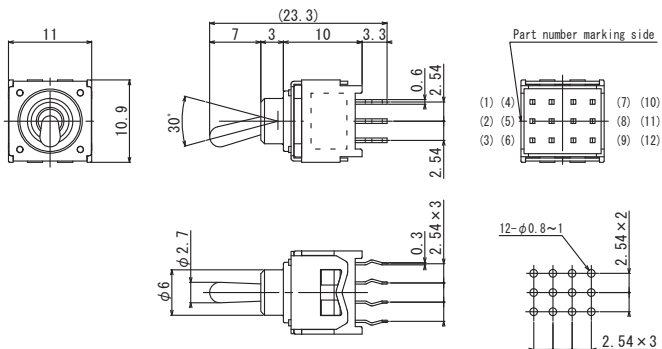
Terminal numbers are not shown on the switch.

PC hole Layouts (Topview)

Switching function	Viewed from part No. marking side		
Part No.			
★ ATE42D-2M3-Z	ON	—	ON
★ ATE42E-2M3-Z	ON	OFF	ON
Connecting terminals	2-1 5-4	—	2-3 5-6

4PDT

PC Straight



Terminal numbers are not shown on the switch.

PC hole Layouts (Topview)

Switching function	Viewed from part No. marking side		
Part No.			
★ ATE44D-2M3-Z	ON	—	ON
☆ ATE44E-2M3-Z	ON	OFF	ON
Connecting terminals	2-1 5-4 8-7 11-10	—	2-3 5-6 8-9 11-12

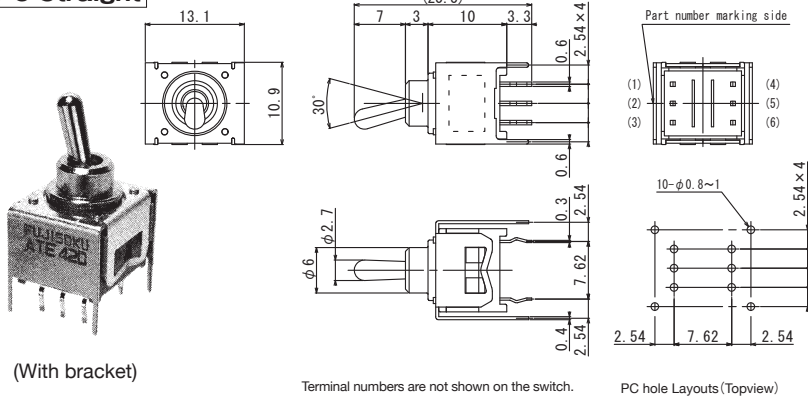
★ : Made-to-order items.

☆ : Semi-standard products.

ATE(Subminiature Toggle Switch)

DPDT

PC Straight



(With bracket)

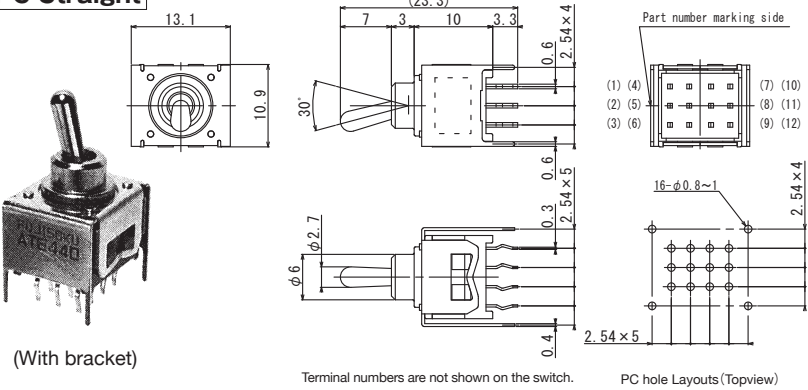
Terminal numbers are not shown on the switch.

PC hole Layouts (Topview)

Switching function	Viewed from part No. marking side		
Part No.	★ ATE42D-2M4-Z	—	—
Connecting terminals	2-1 5-4	—	2-3 5-6

4PDT

PC Straight



(With bracket)

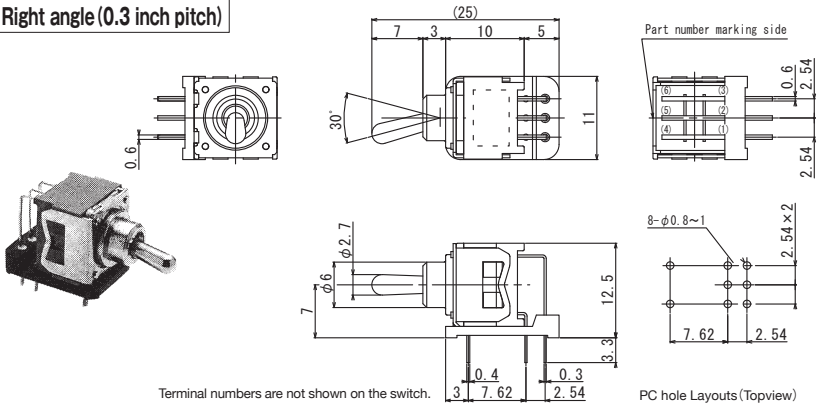
Terminal numbers are not shown on the switch.

PC hole Layouts (Topview)

Switching function	Viewed from part No. marking side		
Part No.	☆ ATE44D-2M4-Z	—	—
Connecting terminals	2-1 5-4 8-7 11-10	—	2-3 5-6 8-9 11-12

DPDT (Mounting height : 7mm)

Right angle (0.3 inch pitch)



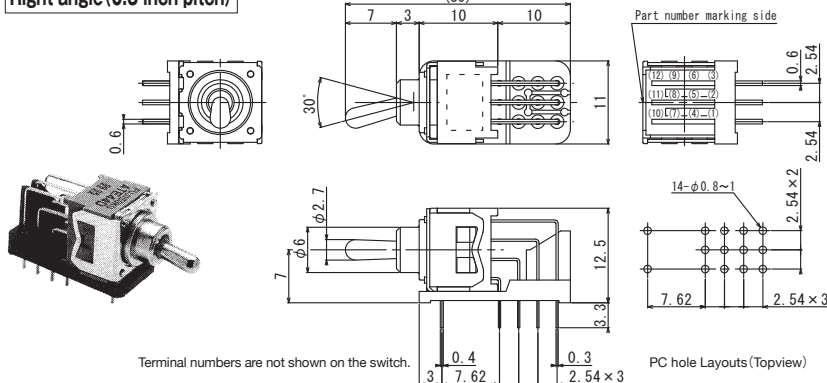
Terminal numbers are not shown on the switch.

PC hole Layouts (Topview)

Switching function	Viewed from part No. marking side		
Part No.	☆ ATE42D-6M3-Z	—	—
Connecting terminals	2-3 5-6	—	2-1 5-4

4PDT (Mounting height : 7mm)

Right angle (0.3 inch pitch)



Terminal numbers are not shown on the switch.

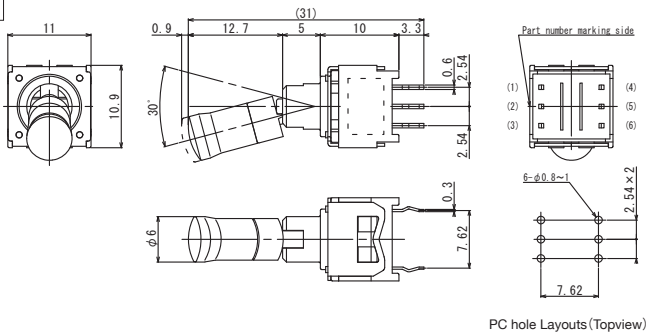
PC hole Layouts (Topview)

Switching function	Viewed from part No. marking side		
Part No.	☆ ATE44D-6M3-Z	—	—
Connecting terminals	2-3 5-6 8-9 11-12	—	2-1 5-4 8-7 11-10

ATLE (Locking Lever Toggle Switch)

DPDT

PC Straight



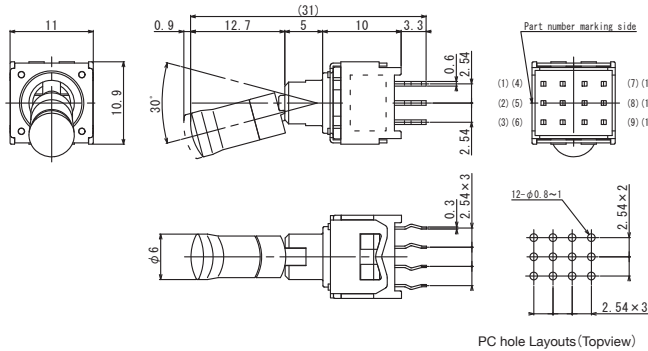
PC hole Layouts (Topview)

Terminal numbers are not shown on the switch.

Switching function	Viewed from part No. marking side		
Part No.			
★ ATLE42D-2M3-Z	ON	—	ON
★ ATLE42E-2M3-Z	ON	OFF	ON
Connecting terminals	2-1 5-4	—	2-3 5-6

4PDT

PC Straight



PC hole Layouts (Topview)

Terminal numbers are not shown on the switch.

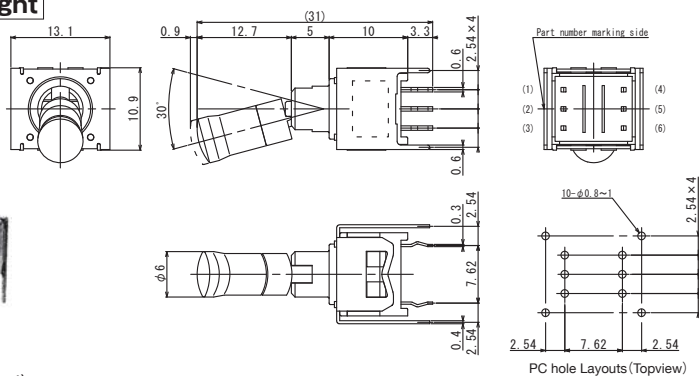
Switching function	Viewed from part No. marking side		
Part No.			
★ ATLE44D-2M3-Z	ON	—	ON
★ ATLE44E-2M3-Z	ON	OFF	ON
Connecting terminals	2-1 5-4 8-7 11-10	—	2-3 5-6 8-9 11-12

DPDT

PC Straight



(With bracket)



PC hole Layouts (Topview)

Terminal numbers are not shown on the switch.

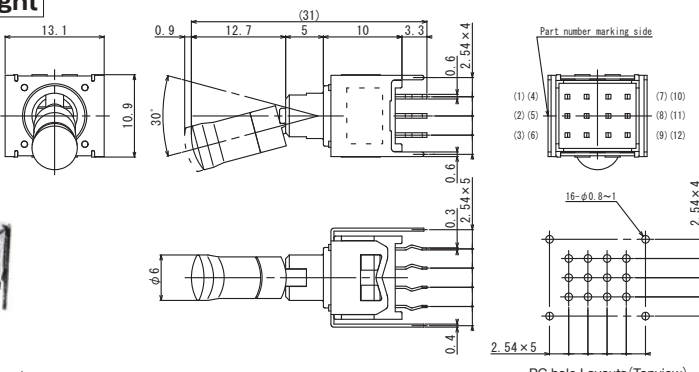
Switching function	Viewed from part No. marking side		
Part No.			
☆ ATLE42D-2M4-Z	ON	—	ON
☆ ATLE42E-2M4-Z	ON	OFF	ON
Connecting terminals	2-1 5-4	—	2-3 5-6

4PDT

PC Straight



(With bracket)



PC hole Layouts (Topview)

Terminal numbers are not shown on the switch.

Switching function	Viewed from part No. marking side		
Part No.			
★ ATLE44D-2M4-Z	ON	—	ON
★ ATLE44E-2M4-Z	ON	OFF	ON
Connecting terminals	2-1 5-4 8-7 11-10	—	2-3 5-6 8-9 11-12

★ : Made to order products.

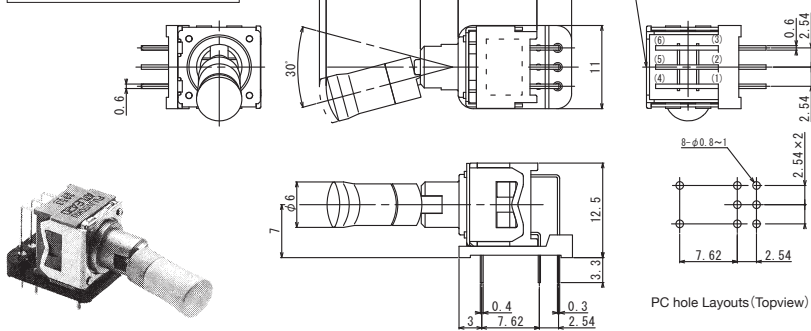
☆ : Semi-standard products.

ATLE (Locking Lever Toggle Switch)

DPDT

(Mounting height : 7mm)

Right angle (0.3 inch pitch)



Part No.	Viewed from part No. marking side		
★ATLE42D-6M3-Z	ON	—	ON
★ATLE42E-6M3-Z	ON	OFF	ON
Connecting terminals	2-3 5-6	—	2-1 5-4

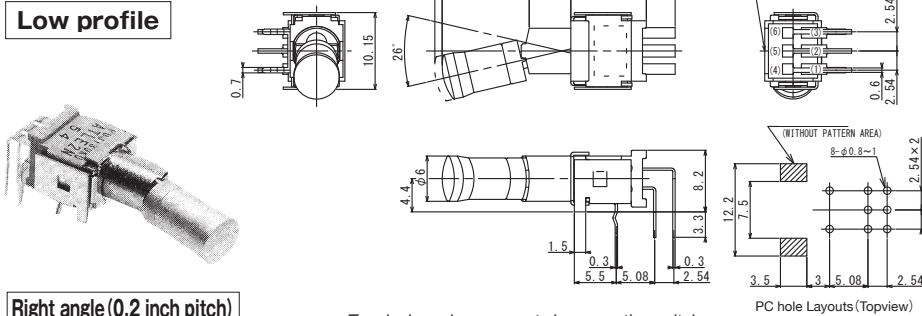
Terminal numbers are not shown on the switch.

DPDT

(Mounting height : 4.4mm)

ATLE2N-5M3-Z

Low profile



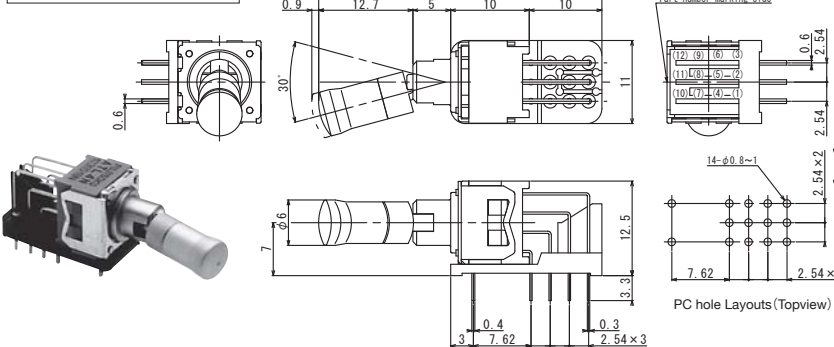
Part No.	Viewed from part No. marking side	
★ATLE2N-5M3-Z	ON	ON
Connecting terminals	2-3 5-6	2-1 5-4

Terminal numbers are not shown on the switch.

4PDT

(Mounting height : 7mm)

Right angle (0.3 inch pitch)



Part No.	Viewed from part No. marking side		
★ATLE42D-6M3-Z	ON	—	ON
★ATLE42E-6M3-Z	ON	OFF	ON
Connecting terminals	2-3 5-6 8-9 11-12	—	2-1 5-4 8-7 11-10

Terminal numbers are not shown on the switch.

Standard Accessories

For Locking Lever Type

《Supplied separately》

Color Cap		
Dimensions	Color	Part No.
 <p>Alumite finish</p> <p>Aluminium alloy</p>	Silver	140000470225
	Red	140000470234
	Blue	140000470259
	Black	140000470260

A Silver cap is attached to the switch. Red, Blue, and Black caps are also available (sold separately).

Flux Cleaning

- (1) Solvent : Fluorine or Alcohol type.
- (2) Cleaning after soldering should be done after the terminal temperature falls to 90°C or below, or after leaving the switch for five minutes or longer at room temperature.

Soldering Specifications

- (1) Manual Soldering
Device : Soldering iron
380°C, Max.; 3 seconds, Max.
 - (2) Auto Soldering
Device : Jet wave type or dip type
275°C, Max.; 6 seconds, Max.
- Pre-heating should be done at temperatures ranging from 80°C to 120°C and within 120 sec.

Mounting of Switch

- Do not bend the terminals before mounting the switch on the PC board.
- After mounting the switch, do not place the device in such a way that the device weight will be applied on to the actuator of the switch.
- Do not apply load exceeding 12.74 N to the knob.